

# Service Data for the Healing Receiver

## MODEL 527E

Power Supply—200-250 volts A.C., 50 cycles.

Frequency Range—550-1,620 kilocycles.

Intermediate Frequency—455 kilocycles.

Speaker Field—2,000 ohms.

Speaker Transformer Impedance—5,500 ohms.

Dial Light—240 volt, 15 watt.

Typical Voltages (Measured to Chassis)—

		A.C.	1,000 ohms per volt D.C. meter scales			
			50 V.	250 V.	250 V.	250 V.
Valve	Use	Filament	Cathode	Screen	Plate	Osc. Plate
6J8G - -	Osc. Mod.	6	0	60	240	120
6U7G - -	I.F.	6	2	100	240	
6B6G - -	Det. A.V.C. 1st A.F.	6	0	—	85	
6V6G - -	2nd A.F.	6	11.5	240	230	
5Y3G - -	Rectifier	4.9				

Voltage across back bias resistor (30 ohms), 2 volts.

Voltage across speaker field—130 volts.

Voltage measurements taken with aerial disconnected and no signal input.

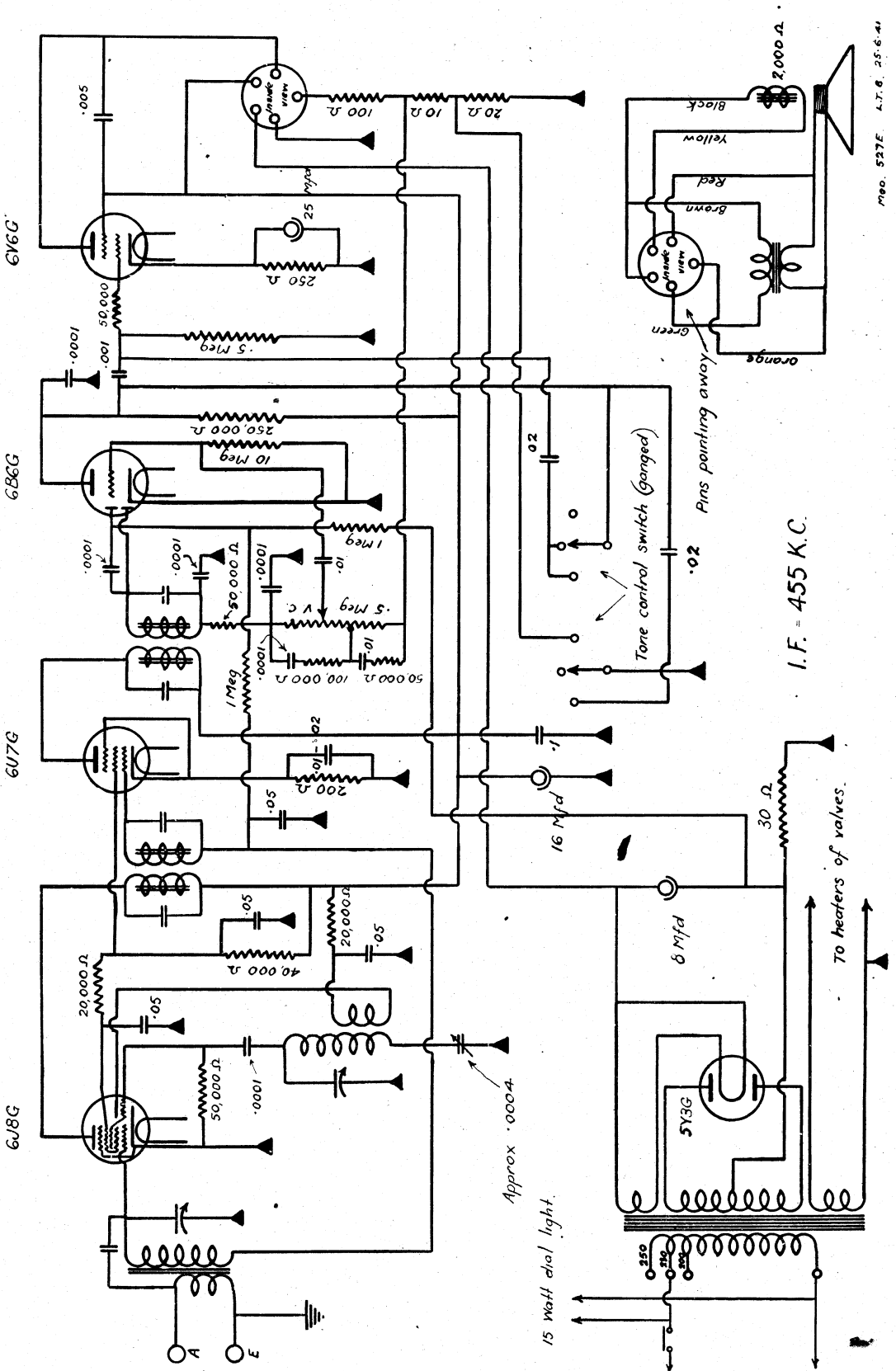
TRIMMERS—The aerial section of the gang is at the back.

PICK-UP CONNECTIONS—The pick-up leads should be connected to the two ends of the volume control and the input to the volume control from the 50,000 ohm resistor in the diode return circuit disconnected. Slightly more gain, at the expense of quality, may be obtained by earthing the "off" end of the volume control.

ALIGNMENT—With the condenser plates fully meshed, the pointer should be in line with the two small lines printed on the edges of the dial about  $\frac{1}{2}$  in. above the 550 K.C. position. As usual, the I.F.'s should first be aligned to 455 K.C., then the trimmers peaked at 1,400 K.C. and the padder at 600 K.C. Minor adjustments to the dial readings may be made by slackening off the two screws attaching the drive drum to the shaft on which the cylinder is mounted.

## Service Data for the Healing Receiver Model 527E

### Circuit Diagram of Model 527E



Model 527E A.T.B. 25-6-41