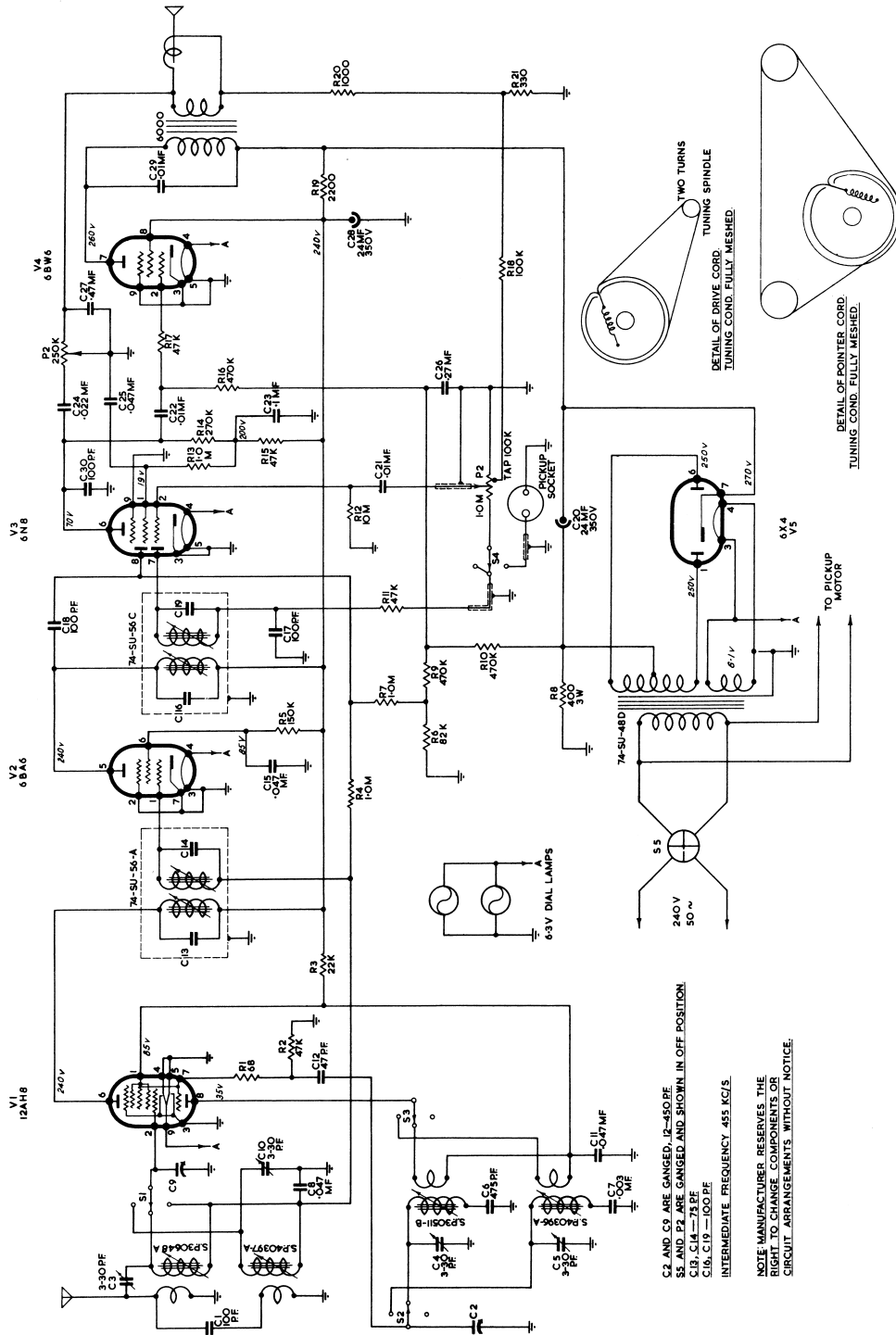


5273CS CONTEMPORARY CONSOLE RADIOGRAM

STC MODEL 5273 CONSOLE RADIOGRAM



C4 AND C5 ARE GANGED, I2-450PF
 S5 AND P2 ARE GANGED AND SHOWN IN OFF POSITION
 C13, C14 - 75 PF
 C16, C19 - 100 PF
 INTERMEDIATE FREQUENCY 455 KC/S
 NOTE: MANUFACTURER RESERVES THE RIGHT TO CHANGE COMPONENTS OR CIRCUIT ARRANGEMENTS WITHOUT NOTICE.

DESCRIPTION:

An A.C. operated five valve superheterodyne dual wave console radiogram, incorporating :-

- Automatic Gain Control,
- Power switch on tone control,
- Inverse feedback,
- Four speed mixer record changer,
- High quality output stage.

TUNING RANGE:

530 - 1620 Kc/s
 4.8 - 16.2 Mc/s

INTERMEDIATE FREQUENCY:

455 Kc/s

POWER SUPPLY:

230 - 250 Volts, 50 cycles A.C.
 210 Milliamps with 240 volts input on RADIO
 300 Milliamps with 240 volts input on GRAM.

LOUD SPEAKER:

- Model 5273CR 12 inch permanent magnet with 3.5 ohm voice coil.
- Model 5273CS 6 inch by 9 inch permanent magnet with 3.5 ohm voice coil.

and each has a 5000 ohm transformer mounted on the chassis.

CIRCUIT VOLTAGES:

Refer to circuit diagram.

These voltages are measured to the receiver earth with a voltmeter having a resistance of at least 20,000 ohms per volt, and they may vary within 10% of their stated value.

MEASUREMENT SPECIFICATION:

I.F. sensitivity - V1 Grid	30 microvolts
I.F. sensitivity - V2 Grid	3 millivolts
Broadcast sensitivity -	5 microvolts average
Short wave sensitivity -	50 microvolts average

These sensitivity figures are related to an audio output voltage of 15 volts measured across the output transformer primary.