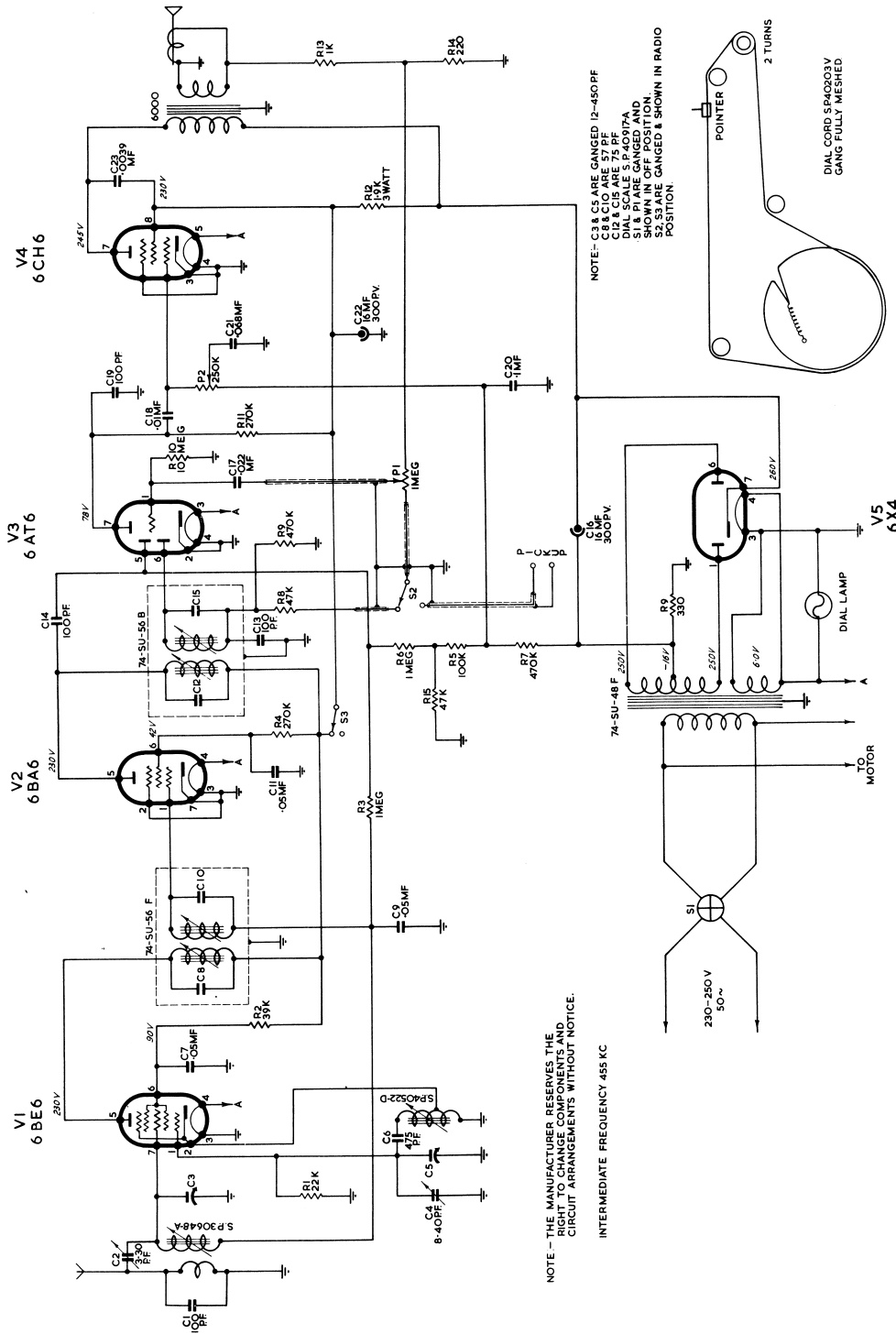




MODEL 5182



SPECIFICATION OF S.T.C. MODEL A5182 S60.

TABLE RADIO

DESCRIPTION:

- An A.C. operated five valve broadcast table radio, incorporating :-
- Automatic gain control
- High gain output pentode
- Inverse Feedback
- Pick-up terminals at rear
- Radio-Gram switch
- Improved I.F. selectivity

TUNING RANGE:

530 - 1620 Kc/s.

INTERMEDIATE FREQUENCY:

455 Kc/s.

VALVE COMPLEMENT:

- V1 Frequency converter 6BE6
- V2 I.F. Amplifier 6BA6
- V3 Detector, A.G.C. and audio amplifier 6AT6 (6AV6)
- V4 Power output pentode 6CH6
- V5 H.T. rectifier 6X4

POWER SUPPLY:

230-250 volts at 50 cycles A.C. only
180 milliamps at 240 Volts input

LOUD SPEAKER:

5 inch by 7 inch permanent magnet type with 6000 ohm transformer mounted on the chassis

CIRCUIT VOLTAGES:

Refer to circuit diagram

These voltages may vary within 10% of their stated values.
Measuring meter must be at least 20,000 ohms per volt.

MEASUREMENT SPECIFICATION:

I.F. sensitivity - V1 Grid - 50 Microvolts
I.F. sensitivity - V2 Grid - 3 Millivolts
Broadcast sensitivity - 10 Microvolts average
The above input signals are required to produce 17 volts between the plate of V4 and pin 7 of V5, through a series capacitor of .1 mfd.
No wiring should be disconnected when checking sensitivity and a .1 mfd capacitor should be used in series with the "HOT" signal generator, and the grid of V1 or V2.

ALIGNMENT FREQUENCY:

Broadcast - 600 Kc/s and 1400 Kc/s.

CHECK POINTS:

Broadcast - 1000 Kc/s.