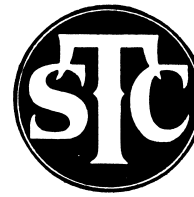
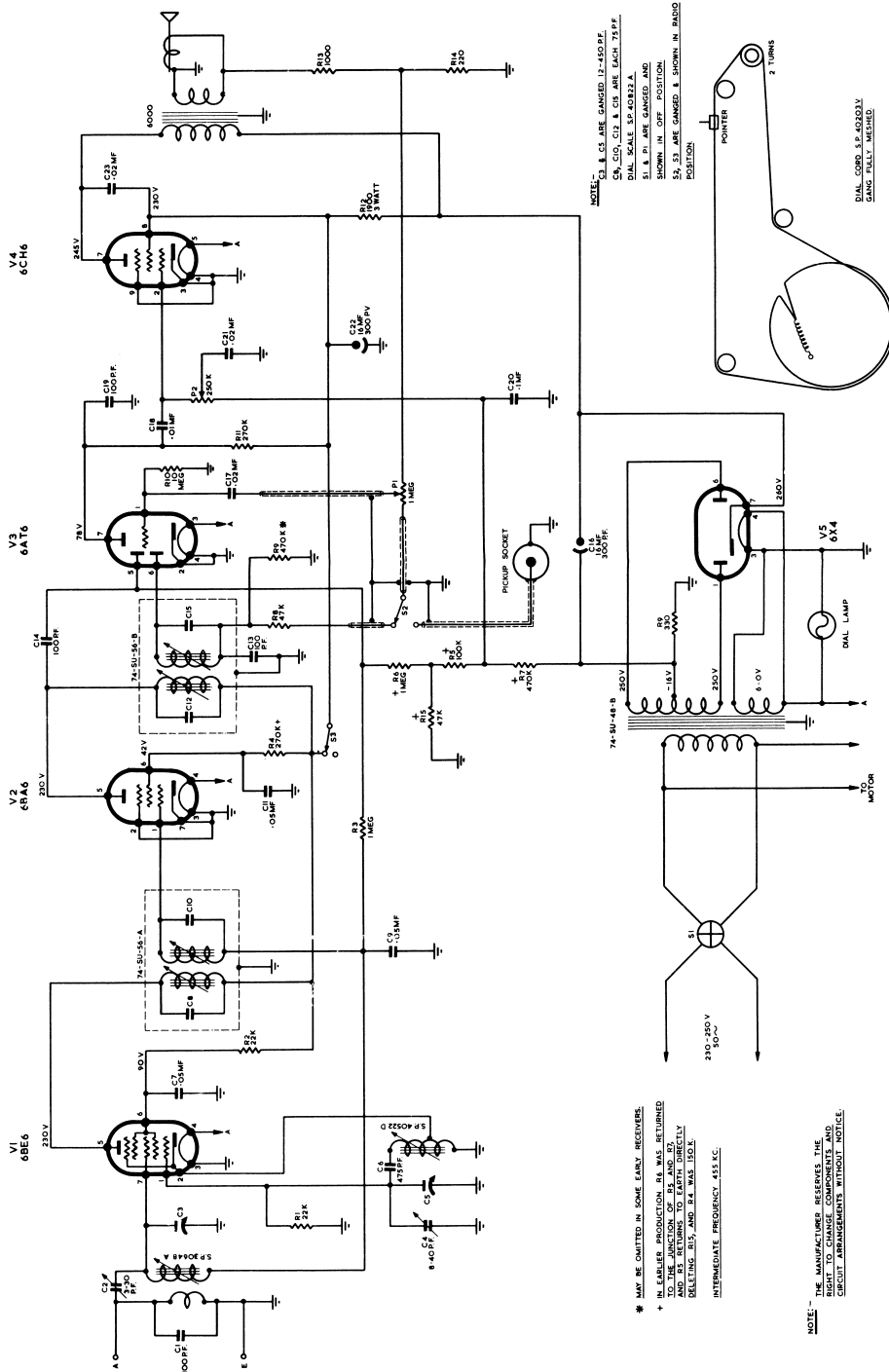




MODELS

5168
5170

PORTABLE RADIOGRAM.
TABLE RADIOGRAM.



RADIO SERVICE BULLETIN

SPECIFICATION OF S.T.C. MODEL 5168 PORTABLE RADIOGRAM

DESCRIPTION:

An A.C. operated five valve broadcast portable radiogram, incorporating -

- Automatic Gain Control,
- High Gain Power Output pentode,
- Inverse feed-back,
- Four speed mixer record changer.

TUNING RANGE:

530-1620 Kc/s.

INTERMEDIATE FREQUENCY:

455 Kc/s.

VALVE COMPLEMENT:

- V1 Frequency converter 6BE6
- V2 I.F. Amplifier 6BA6,
- V3 Detector, A.G.C. and audio amplifier 6AT6.
- V4 Power Output pentode 6CH6.
- V5 H.T. Rectifier 6X4.

POWER SUPPLY:

- 230-250 volts at 50 cycles A.C. only.
- 180 milliamps at 240 volts input on RADIO
- 220 milliamps at 240 volts input on GRAM.

LOUD SPEAKER:

5 inch permanent magnet type, with 6000 ohm transformer.

CIRCUIT VOLTAGES:

Refer to circuit diagram.
These voltages may vary within 10% of their stated values and must be measured to the receiver earth with a voltmeter having a resistance of at least 20000 ohms per volt.

MEASUREMENT SPECIFICATION:

- I.F. sensitivity - V1 Grid 70 Microvolts.
- I.F. sensitivity - V2 Grid 3 Millivolts.
- Broadcast sensitivity - 10 Microvolts.