



RADIO SERVICE BULLETIN

Issue: No. 111

Date of Issue: June, 1955

Subject: Model A5152

SPECIFICATION OF S.T.C. MODEL A5152 PORTABLE RADIOGRAM

DESCRIPTION:

A five valve A.C. operated portable table radiogram incorporating:
High gain aerial coil
Inverse feedback
Beam power output tetrode
Automatic volume control.

TUNING RANGE: 530-1620 Kc/s. **INTERMEDIATE FREQUENCY:** 455 Kc/s.

VALVE COMPLEMENT:

V1 Frequency converter 12AH8.
V2 I.F. Amplifier 6BA6.
V3 Detector and audio amplifier 6N8.
V4 Power output 6BW6.
V5 H.T. Rectifier 6X4.

POWER SUPPLY:

200-260 volts, 50 cycles input.
180 milliamps with 240 volts at 50 cycles input on radio.
220 milliamps with 240 volts at 50 cycles input on gram.

LOUD SPEAKER:

5 inch permagnetic with 5000 ohm transformer.

CIRCUIT VOLTAGES:

	Plate	Screen	Osc. Plate	Cathode	Heater
V1	230	84	84	0	5.9
V2	230	68	—	0	5.9
V3	64	16	—	0	5.9
V4	214	230	—	0	5.9
V5	246/246	—	—	230	5.9

These voltages may vary within 5% of their stated values and must be measured to receiver earth with a voltmeter having a resistance of at least 1000 ohms per volt.

MEASUREMENT SPECIFICATION:

I.F. sensitivity—V1 Grid 17 microvolts.

I.F. sensitivity—V2 Grid 2.1 millivolts.

Broadcast average sensitivity—4 microvolts

These sensitivity figures are related to an audio frequency output of 15 volts measured between the plate of V4 and Pin 7 of V5, through a series condenser of .1 MFD capacity. When measuring I.F. sensitivity a .1 MFD condenser should be used between the "HOT" signal generator lead and grid of V1 or V2. Do not disconnect any wiring.

ALIGNMENT FREQUENCY:

Broadcast—600 Kc/s and 1400 Kc/s.

CHECK POINT:

Broadcast—1000 Kc/s.

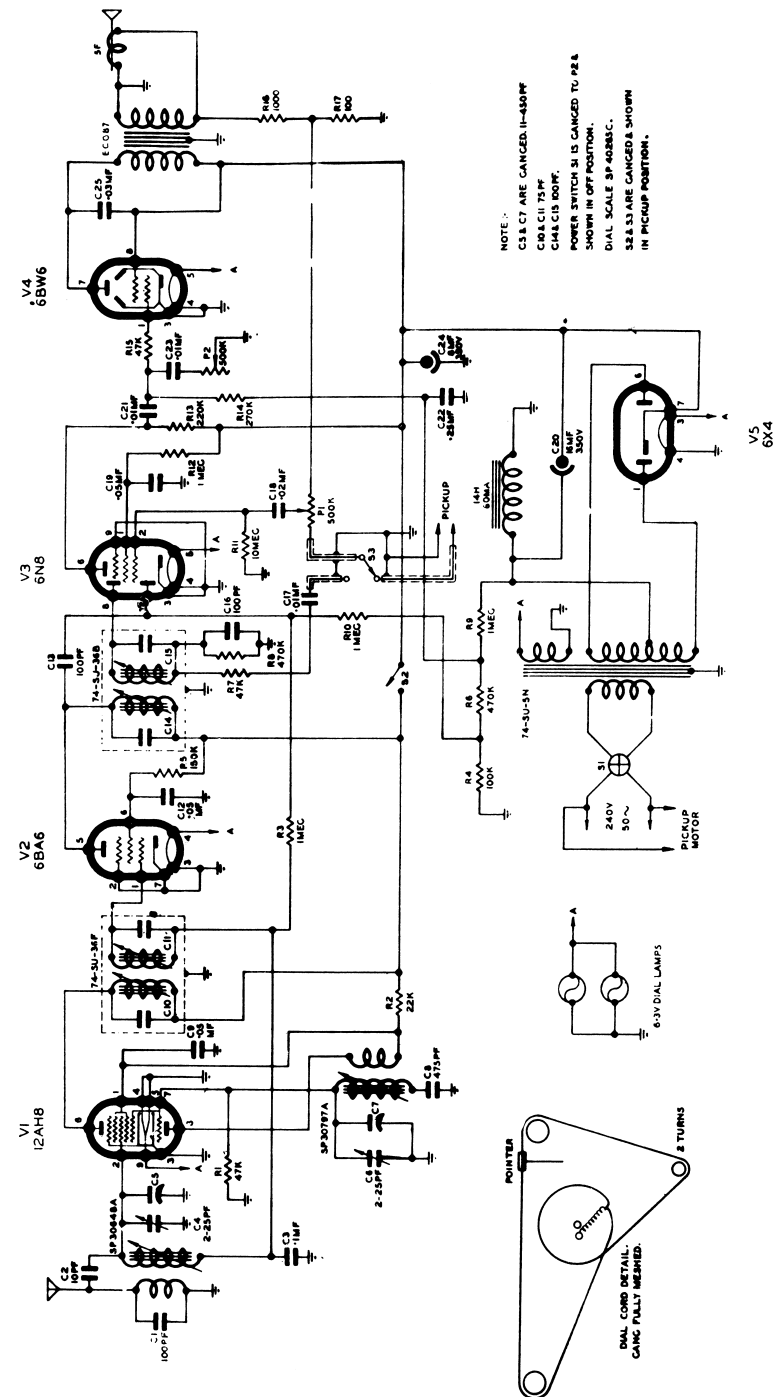
REMOVAL OF CHASSIS:

To remove the set from the cabinet it is necessary first to **SWITCH OFF THE POWER AND REMOVE THE PLUG FROM THE POWER POINT** then proceed as follows:—

- (1) Remove the lower hinge of the lid support and then rest the lid on a suitable support so as not to strain the hinges.
- (2) Remove the record changer with its mounting board, disconnecting the power and pickup leads and place the complete unit aside.
- (3) Now remove the receiver cover panel then lift the panel sufficiently to enable the pickup switch to be removed and then place the cover panel aside.
- (4) Release the chassis mounting bolts, move the chassis towards the back of the cabinet and remove the speaker and aerial socket from their mountings, then the chassis can be removed from the cabinet for servicing.

MODEL 5152, 5154

RADIO-PHONOGRAPH



SPECIFICATION OF S.T.C. MODEL A5152/1 PORTABLE RADIOGRAM

DESCRIPTION:

A five valve A.C. operated portable table radiogram incorporating—
Inverse feedback.
Beam power output tetrode.
Automatic gain control.
Three speed mixed record changer.

TUNING RANGE:

530-1620 Kc/s.

INTERMEDIATE FREQUENCY:

455 Kc/s.

VALVE COMPLEMENT:

- V1. Frequency changer 12AH8.
- V2. I.F. Amplifier detector, A.G.C. 6AR7GT.
- V3. Audio amplifier 6AT6.
- V4. Power output 6BW6.
- V5. Rectifier 6X5GT.

POWER SUPPLY:

- 200-260volts—50 cycles.
- 185 milliamps with 240 volts at 50 cycles input on RADIO.
- 220 milliamps with 240 volts at 50 cycles input on GRAM.

LOUD SPEAKER:

5 inch permagnetic with 5000 ohms transformer.

CIRCUIT VOLTAGES:

	Plate	Screen	Osc. Plate	Cathode	Heater
V1	205(0)	65(0)	65(0)	0	6.0
V2	205(0)	80(0)	—	0	6.0
V3	55(65)	—	—	0	6.0
V4	230	205(230)	—	0	6.0
V5	235/235	—	—	245	6.0

The circuit voltages on GRAM are shown in brackets.
These voltages may vary within 5% of their stated values and must be measured to receiver earth with a voltmeter having a resistance of at least 1000 ohms per volt.


**MODEL 5152/1
5154/1**

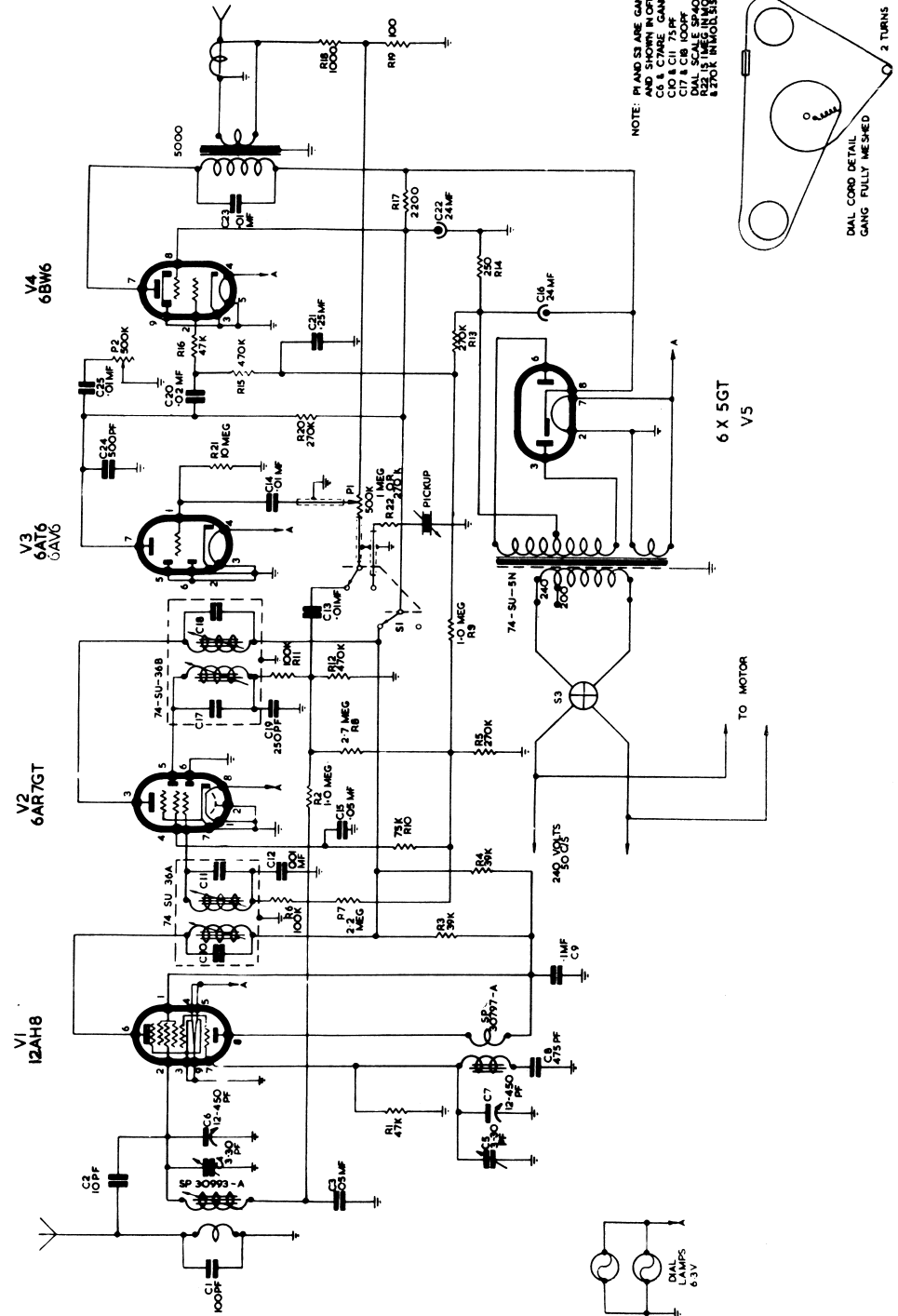


TABLE RADIOGRAM

DESCRIPTION:
TUNING RANGE:
INTERMEDIATE FREQUENCY:
VALVE COMPLEMENT:
POWER SUPPLY:
LOUDSPEAKER:
CIRCUIT VOLTAGES:
MEASUREMENT SPECIFICATION:
ALIGNMENT FREQUENCY:
CHECK POINT:
CIRCUIT DIAGRAM:

**REFER TO SERVICE BULLETIN ON
 MODEL A5152/1
 ISSUE No. 115**

REMOVAL OF CHASSIS:

To remove the chassis from the cabinet it is necessary first to SWITCH OFF THE POWER AND REMOVE THE PLUG FROM THE POWER POINT, then proceed as follows:—

- (1) Remove the lower end of the lid support and rest the lid on a suitable object so as to avoid straining the lid hinges.
- (2) Lift up the record changer and mounting board after removing the four screws, disconnect the power flex and pickup leads and place the unit aside.
- (3) Remove the radio rear panel mounting screws and slide the panel out and place it aside.
- (4) Now remove the receiver knobs and the switch from the panel, release the chassis mounting bolts, move the chassis towards the back of the cabinet, unscrew the speaker and then the set, complete with the speaker, can be removed from the cabinet for servicing.