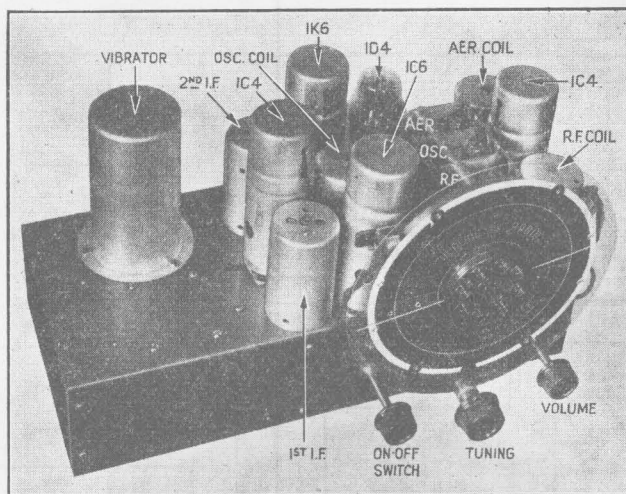


Service Data for the Healing Receiver MODEL 508A

A SUPERHETERODYNE WITH A.V.C.

Power Supply 6
Volt Accumula-
tor and
Vibrator

Dial Lamps are
6 volt.-.1 amp



Frequency
Range
1500-550 K.C.

Intermediate
Frequency
180 K.C.

TYPICAL VALVE VOLTAGES

Valve	Use	1,000 ohms. per volt D.C. Meter Scales			
		10 V.	250 V.	250 V.	250 V.
		Filament	Screen	Plate	Osc. Plate
1C4	R.F.	2	50	145	
1C6	Osc. Mod.	2	50	145	55
1C4	I.F.	2	50	145	
1K6	A.V.C. Det. 1st A.F.	2	—	60	
1D4	2nd A.F.	2	145	135	

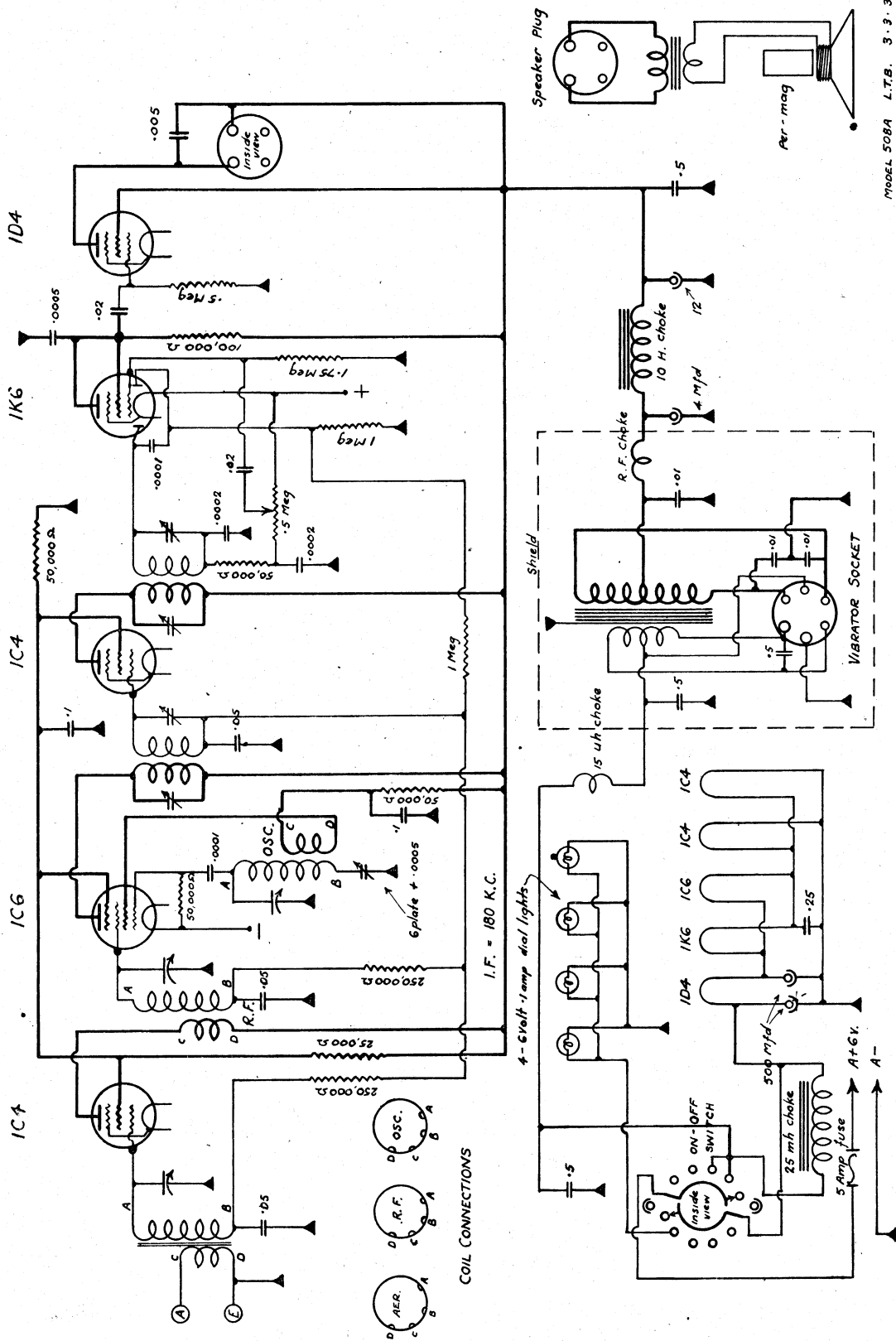
Battery consumption 1 amp. without dial lights.

Voltage measurements taken with aerial disconnected and no signal input.

See page 117 for outline of alignment procedure.

HEALING

Service Data for the Healing Receiver Model 508A



MODEL 508A L.T.B. 3-9-38.

Circuit Diagram of Model 508A.