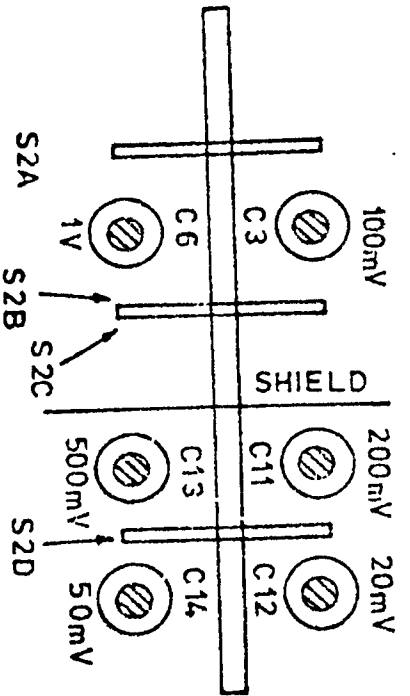
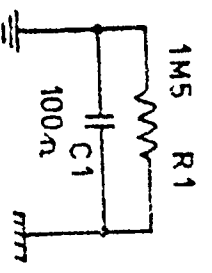


INPUT ATTENUATOR 504



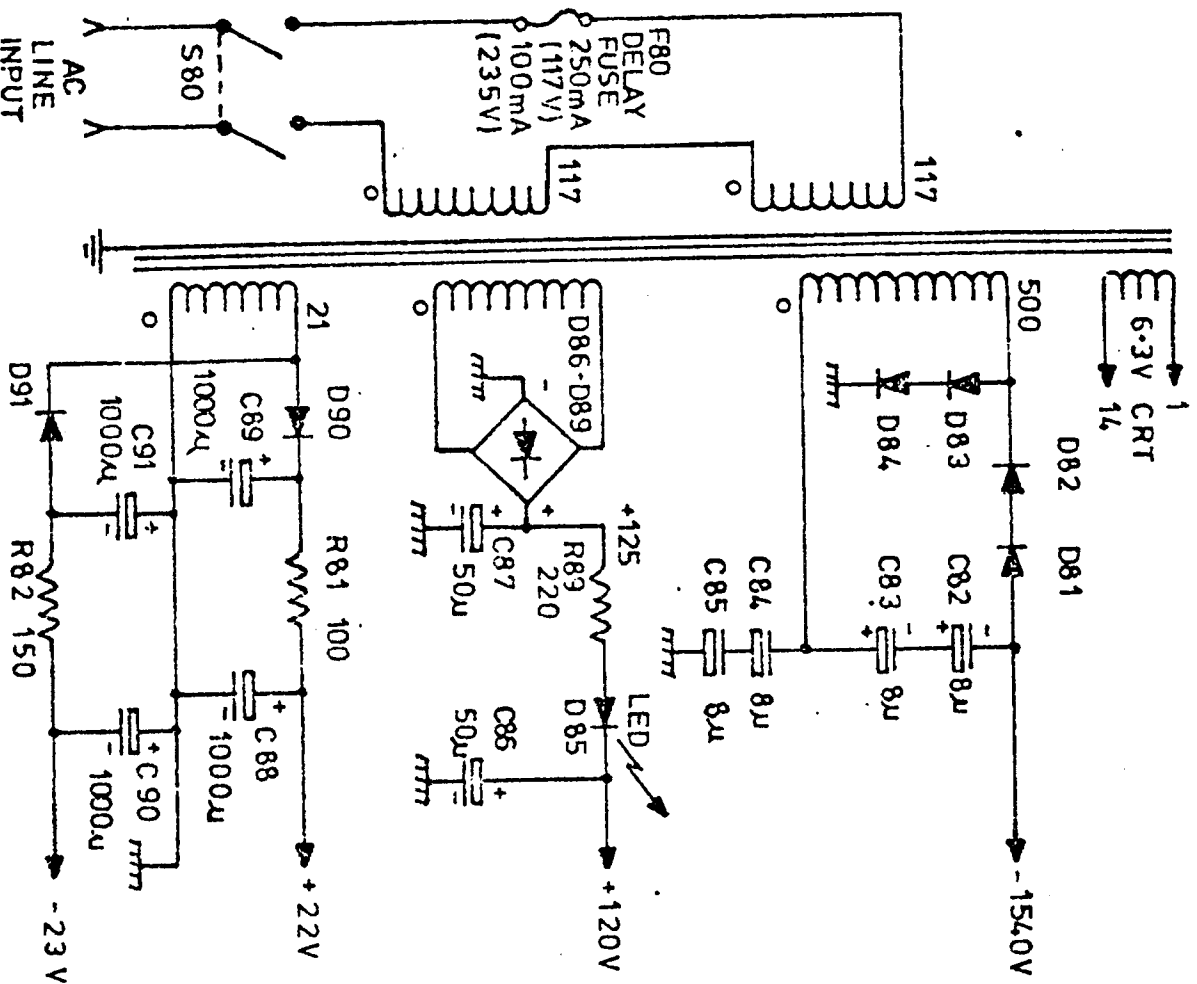
ATTENUATOR MECHANICAL LAYOUT



BWD ELECTRONICS 504-1268-2
 APP. FROM S/No. 33190

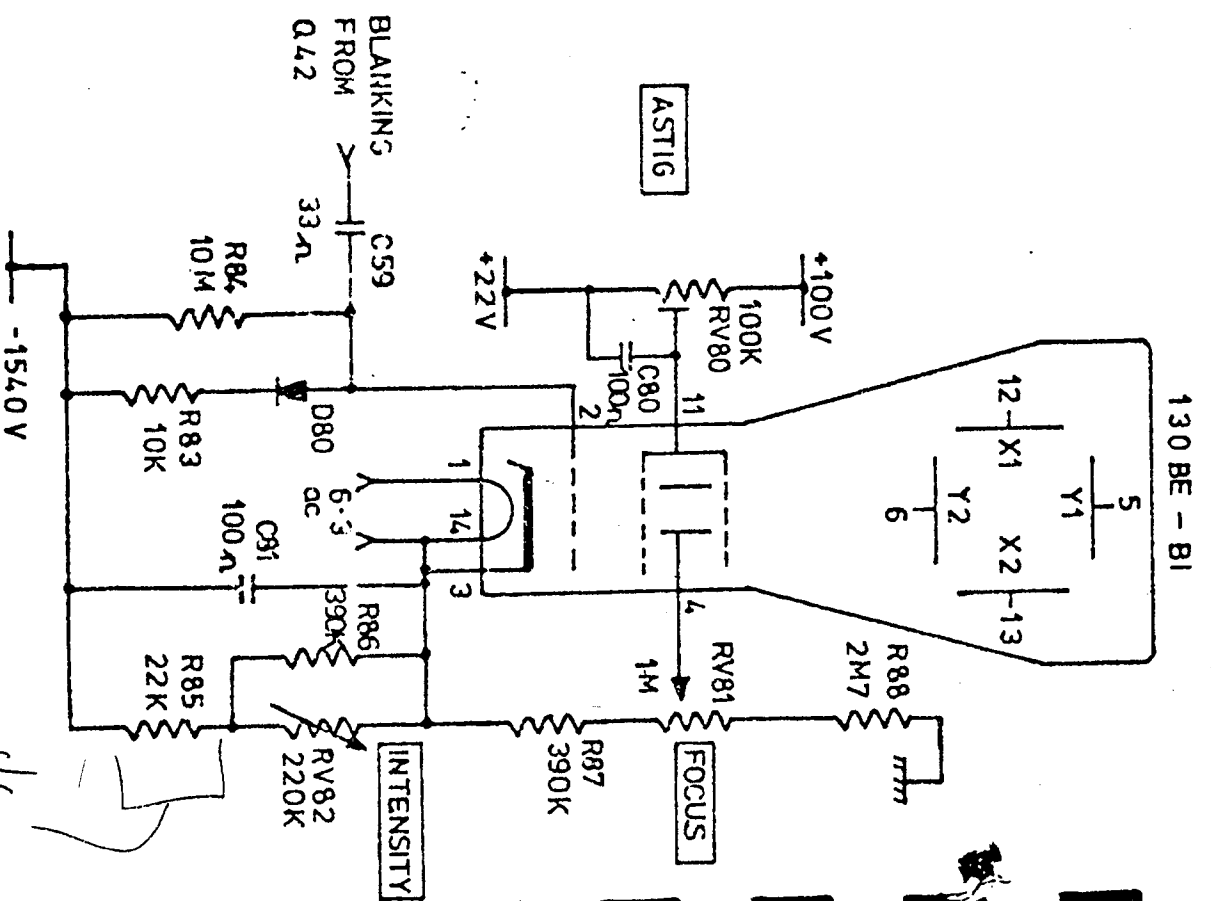
BWD 504
 6 MHz

BWD ELECTRONICS 504-1268-1

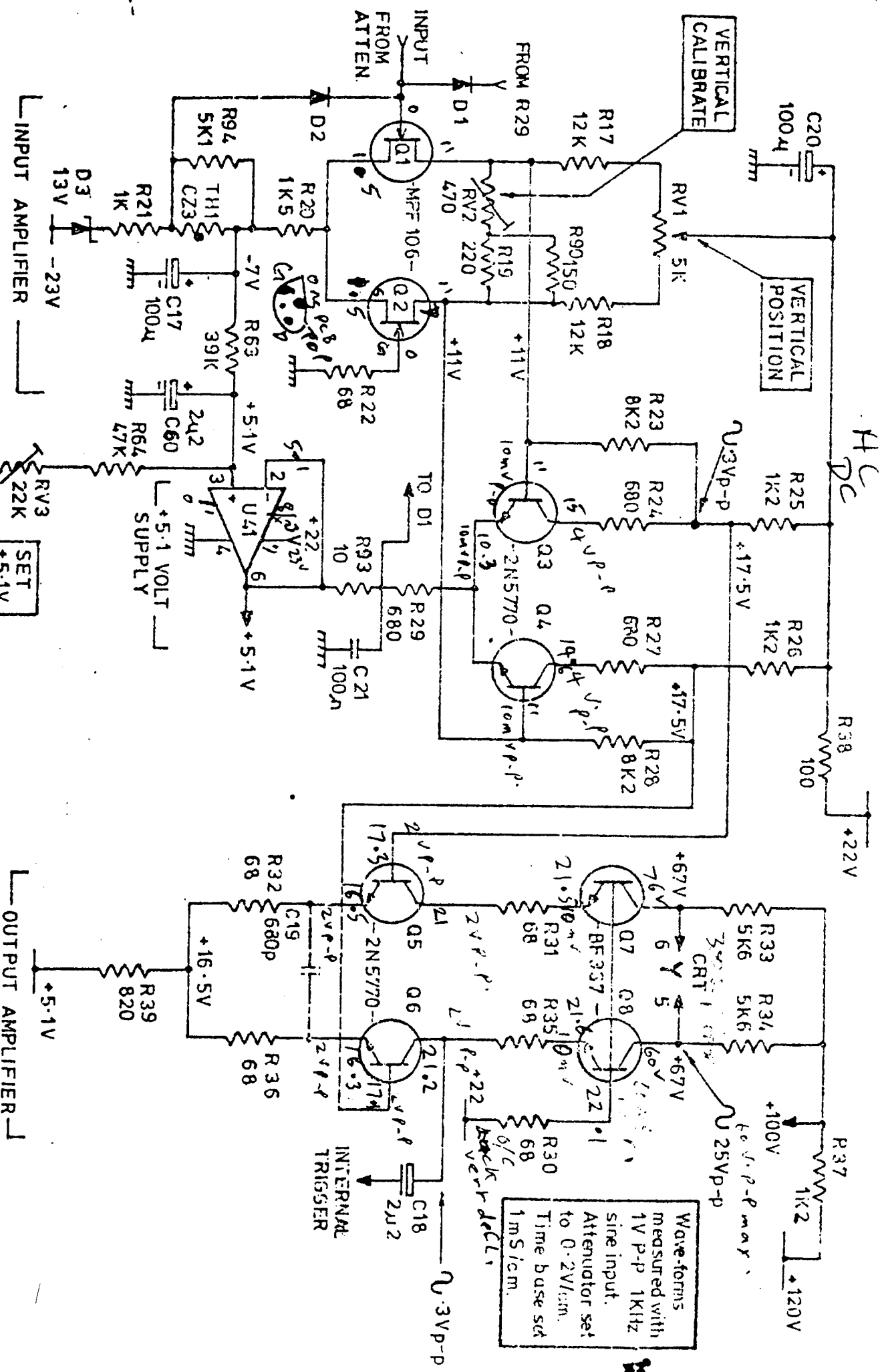


D80 = 1N4148
 D81-84 = EM 410
 D85 = TIL 209A LED
 D86-91 = 1N4004

POWER SUPPLIES AND CRT CIRCUIT 504



*missed
 bright
 s/c*

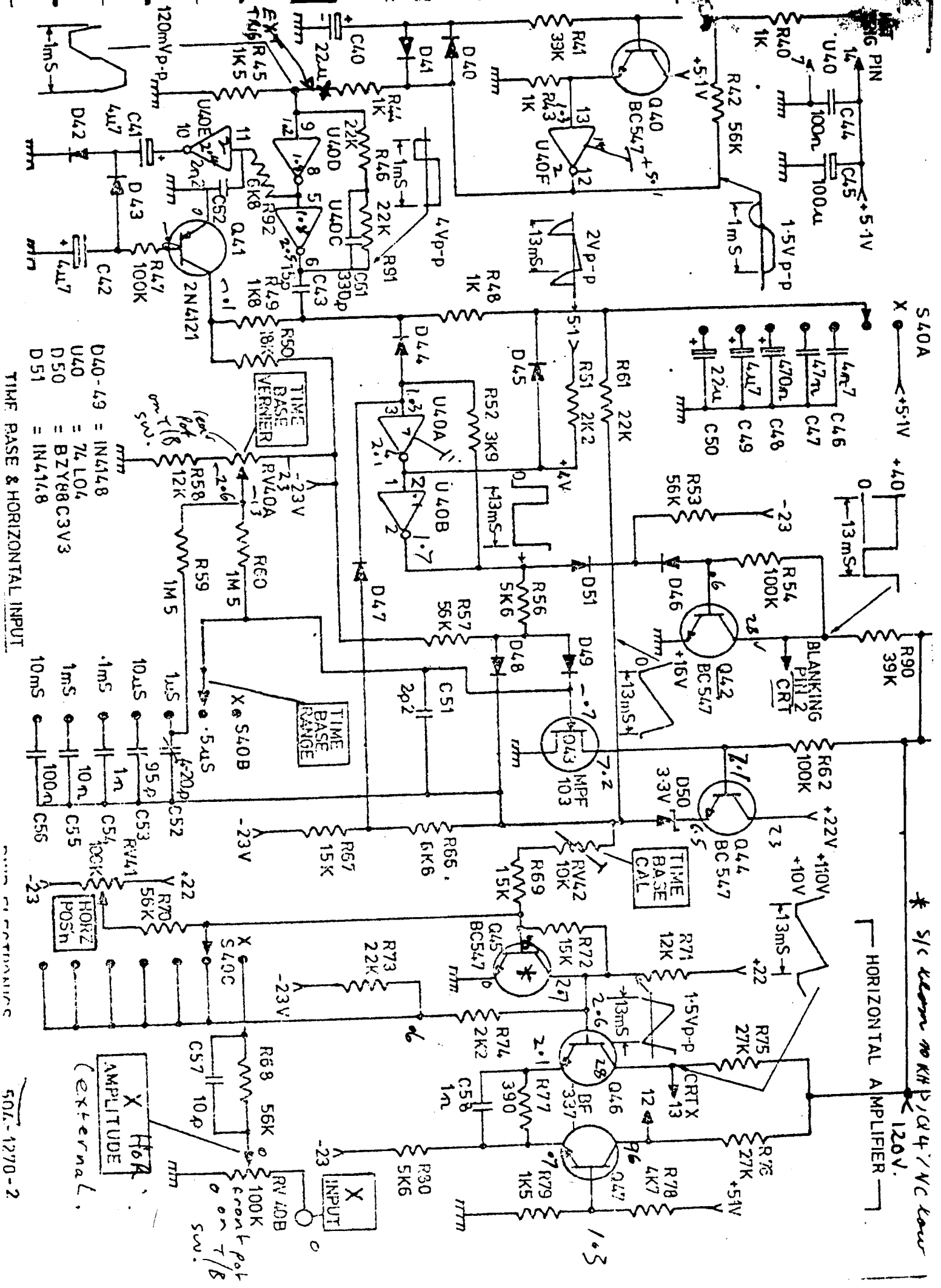


U41 = 741
 D1,2 = IN4148
 APP. FROM S/No. 33190

VERTICAL AMPLIFIER 504

OUTPUT AMPLIFIER

Wave-forms measured with 1V p-p 1KHz sine input. Attenuator set to 0.2V/cm. Time base set 1mS/cm.



- D40-49 = IN4148
- U40 = 74104
- D50 = BZY88C3V3
- D51 = IN4148

- 10mS
- 1mS
- 10n
- 1n
- 95p
- 1uS
- 10uS
- 1mS
- 10uS
- 10n
- 1n
- 95p
- 1uS
- 10uS
- 100n
- C56
- C55
- C54
- C53
- C52
- C51
- C50
- C49
- C48
- C47
- C46
- C45
- C44
- C43
- C42
- C41
- C40

- R90
- R89
- R88
- R87
- R86
- R85
- R84
- R83
- R82
- R81
- R80
- R79
- R78
- R77
- R76
- R75
- R74
- R73
- R72
- R71
- R70
- R69
- R68
- R67
- R66
- R65
- R64
- R63
- R62
- R61
- R60
- R59
- R58
- R57
- R56
- R55
- R54
- R53
- R52
- R51
- R50
- R49
- R48
- R47
- R46
- R45
- R44
- R43
- R42
- R41
- R40
- R39
- R38
- R37
- R36
- R35
- R34
- R33
- R32
- R31
- R30
- R29
- R28
- R27
- R26
- R25
- R24
- R23
- R22
- R21
- R20
- R19
- R18
- R17
- R16
- R15
- R14
- R13
- R12
- R11
- R10
- R9
- R8
- R7
- R6
- R5
- R4
- R3
- R2
- R1

- C58
- C57
- C56
- C55
- C54
- C53
- C52
- C51
- C50
- C49
- C48
- C47
- C46
- C45
- C44
- C43
- C42
- C41
- C40

- U40E
- U40D
- U40C
- U40B
- U40A
- U40F
- U40G
- U40H
- U40I
- U40J
- U40K
- U40L
- U40M
- U40N
- U40O
- U40P
- U40Q
- U40R
- U40S
- U40T
- U40U
- U40V
- U40W
- U40X
- U40Y
- U40Z

- D40
- D41
- D42
- D43
- D44
- D45
- D46
- D47
- D48
- D49
- D50
- D51
- D52
- D53
- D54
- D55
- D56
- D57
- D58
- D59
- D60
- D61
- D62
- D63
- D64
- D65
- D66
- D67
- D68
- D69
- D70
- D71
- D72
- D73
- D74
- D75
- D76
- D77
- D78
- D79
- D80
- D81
- D82
- D83
- D84
- D85
- D86
- D87
- D88
- D89
- D90
- D91
- D92
- D93
- D94
- D95
- D96
- D97
- D98
- D99
- D100

TIME BASE & HORIZONTAL INPUT

S40A
 +5.1V
 +10V
 +16V
 +22V
 +5.1V
 -23V
 HORIZONTAL AMPLIFIER
 120V.
 S/C known no KH/D/Q4/V/C know

TIME BASE VERIFIER

TIME BASE RANGE

TIME BASE CAL

AMPLITUDE
 External
 Internal

50A-1270-2