

Service Data for the Healing Receiver

MODEL 501B

Power Supply—1.5 volt A Battery, 90 volt B Battery.

Frequency Range—550 to 1,500 kilocycles.

Intermediate Frequency—180 kilocycles.

Speaker Transformer Impedance—9,000 ohms.

Battery Current—.3 amp. A Battery, 8.5 Ma. B Battery.

Typical Voltages (measured to chassis):—

		1,000 ohms per volt D.C. meter scales			
		10 V.	250 V.	250 V.	250 V.
		Filament	Screen	Plate	Osc. Plate
Valve	Use				
1N5GT	R.F.	1.4	84	84	
1A7GT	Osc. Mod.	1.4	40	84	84
1N5GT	I.F.	1.4	84	84	
1H5GT	Det. A.V.C.	1.4	—	20	
1Q5GT	1st A.F.	1.4	84	79	
	2nd A.F.	1.4			

Approximately 6 volts across 750 ohm bias resistor.

Measurements taken with aerial disconnected and no signal input.

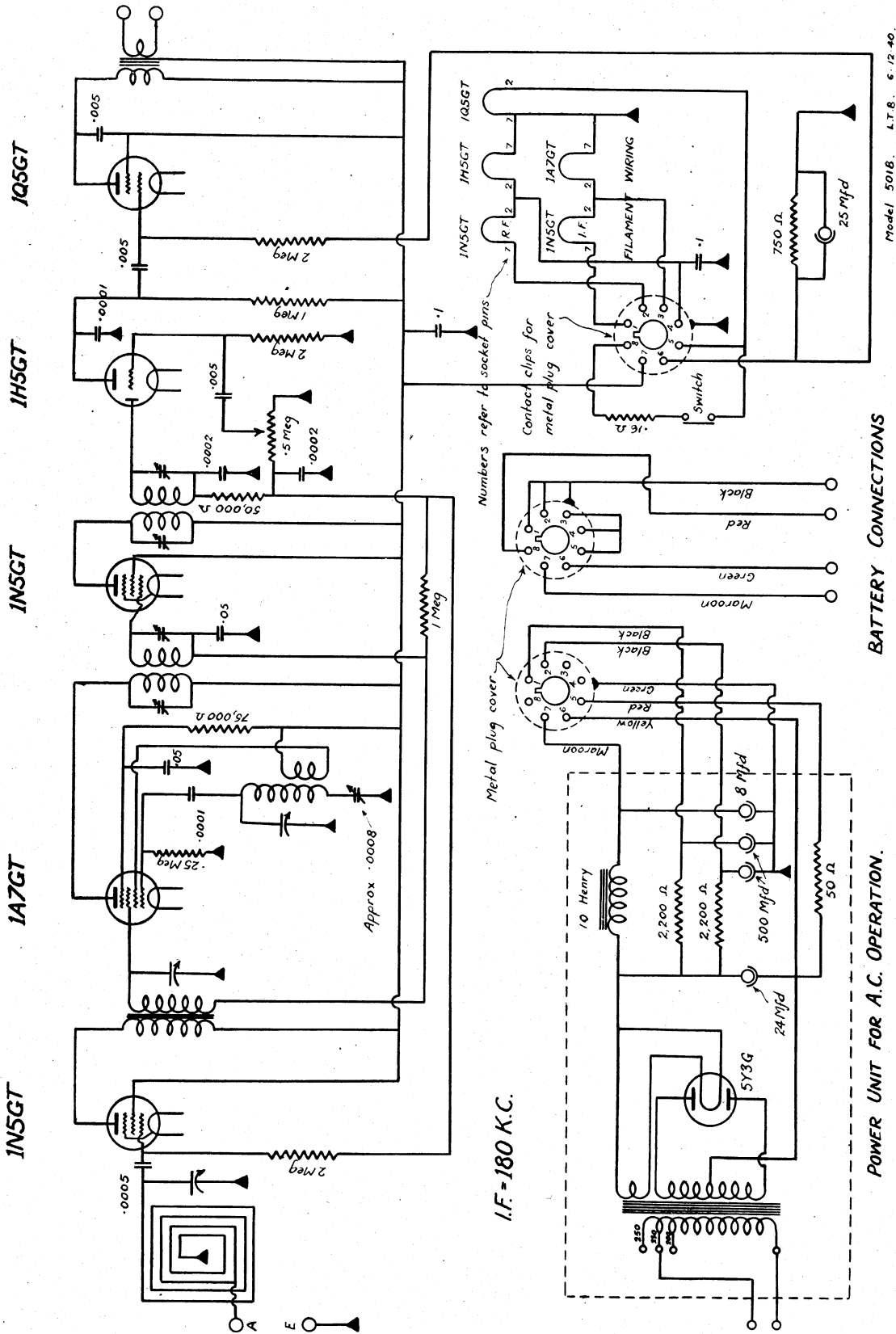
See pages 153 and 117 for alignment procedure.

Note—With the plates of the condenser gang fully out of mesh, the pointer should be in a horizontal position.

Trimmers—The aerial section of the gang is at the front, R.F. in the middle, and oscillator at the back.

HEALING

Service Data for the Healing Receiver, Model 501B



Model 501B. L.T.B. 6/12/40.

Circuit Diagram of Model 501B