

Service Data for the Healing Receivers

MODELS 500E, 525E and 526E

Power Supply—200-250 volts A.C., 50 cycles.

Frequency Range—550-1,620 kilocycles.

Intermediate Frequency—455 kilocycles.

Speaker Field—2,000 ohms.

Speaker Transformer Impedance—5,500 ohms.

Dial Lights—6 volts .5 amp.

Typical Valve Voltages (measured to chassis)—

| | | A.C. | 1,000 ohms per volt D.C. meter scales. | | | |
|------------|--------------------------|----------|--|--------|--------|------------|
| | | | 50 V. | 250 V. | 250 V. | 250 V. |
| Valve | Use | Filament | Cathode | Screen | Plate | Osc. Plate |
| EK2G . . . | Osc. Mod. | 6.2 | 0 | 60 | 230 | 195 |
| 6U7G . . . | I.F. | 6.2 | 2 | 100 | 230 | |
| 6B6G . . . | Det. A.V.C., 1st A.F. | 6.2 | -2.25 | — | 85 | |
| 6V6G . . . | 2nd A.F. | 6.2 | 0 | 230 | 225 | |
| 80 . . . | | 4.9 | | | | |

Voltage across back bias resistors—13 volts.

Voltage across speaker field—115 volts.

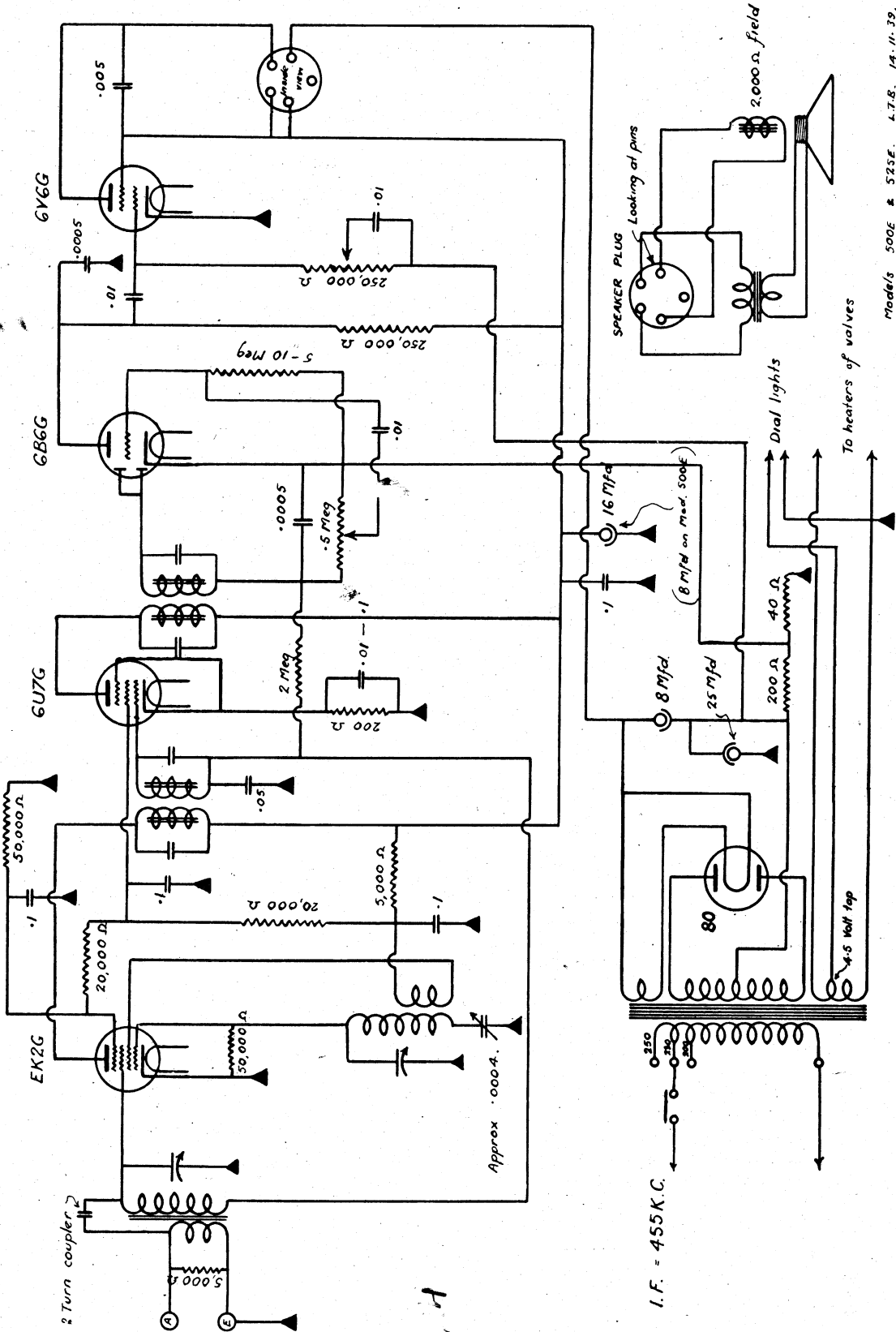
Voltage measurements taken with aerial disconnected and no signal input.

See pages 153 and 117 for alignment procedure.

Trimmers.—The aerial section of the gang is at the back.

HEALING

Service Data for the Healing Receivers, Models 500E, 525E and 526E.



Models 500E & 525E. L.T.B. 14-11-39.

Circuit Diagram of Models 500E, 525E and 526E