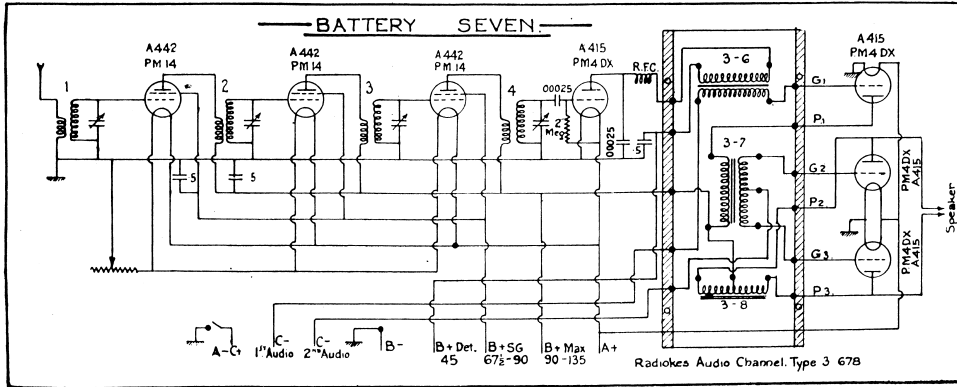
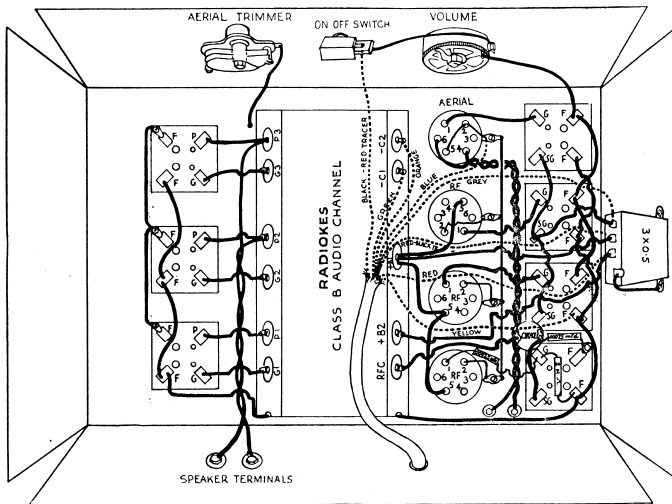


Battery-operated, 7-Valve Receiver, Type 55



T.R.F. USING
4/PM4DX and
3/PM14
VALVES OR
4/A415 and
3/A442
VALVES.



RADIOKES COIL KIT TYPE 5-55

PRICE: £1/7/-

COMPRISES THE FOLLOWING:

- 1 Aerial Coil, Shielded.
- 3 R.F. Coils, Shielded.
- 1 4-gang Condenser, Type D.

RADIOKES KIT-SET TYPE 12-55

PRICE: £8/15/-

COMPRISES:

- 1 5-55 Coil Kit.
- 1 Stromberg Carlson 4, including new Gang Condenser, Type D.
- 1 Full Vision Dial (Excel).
- 1 Chassis and Sockets.
- 1 30 ohm. Rheostat Radiokes.
- 1 R.F. Choke H.C. Radiokes.
- 1 Audio Channel Radiokes.
- 1 Yard of Battery Cable.
- 1 Midget Condenser 5-Plate Radiokes.
- 1 Gridleak 2 Meg.
- 2 Condensers .00025 mfd.
- 1 Toggle Switch Single Pole.
- 3 Knobs.
- 7 4-Pin Sockets, Simplex.
- 55 $\frac{1}{8}$ x $\frac{3}{8}$ Round Headed M.T. Screws.
- 55 $\frac{1}{8}$ Hex. Nuts.
- 5 Nickel Terminals.
- 20 Soldering Lugs.
- 3 Spade Washers.
- 8 $\frac{7}{16}$ x $\frac{3}{16}$ x $\frac{1}{16}$ Fibre Washers.
- 4 $\frac{5}{16}$ x $\frac{1}{8}$ x $\frac{1}{16}$ Fibre Washers.

