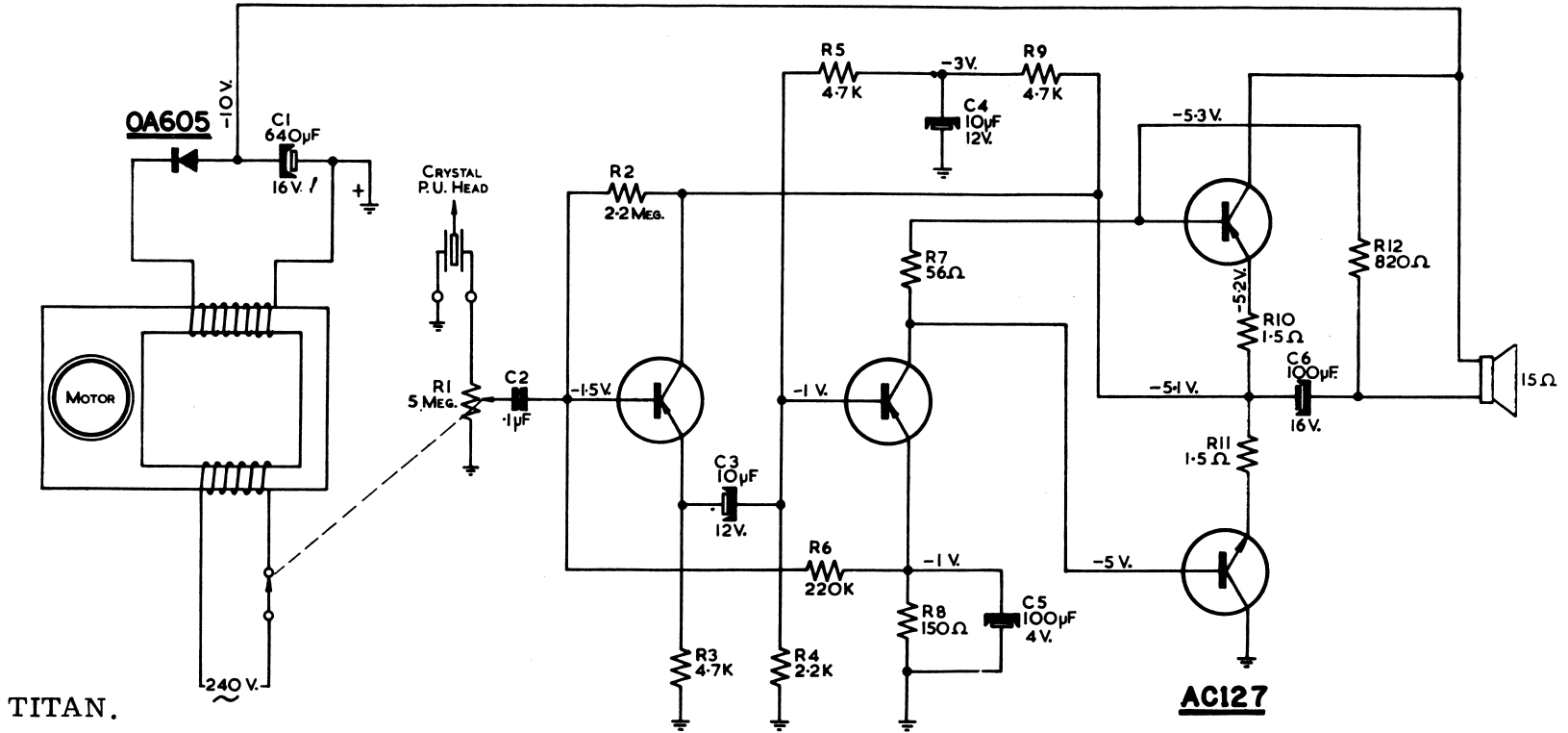


R. No	1	2	3	4	5	7	9	10	12
C. No	1	2	3	4	5			6	

OC 602/A  
OR SIMILAR

AC126

AC132



TITAN.

**4 TRANSISTOR RECORD PLAYER**

NOTE: ALL VOLTAGE READINGS TAKEN ON A.W.A. VOLTOHMYST. ALL RESISTORS 1/2 W. 10%.

ISSUE No: 0	USED IN MODELS	
DRAWN	DR. 17-4-64	
CHECKED	17-4-64	
APPROVED	17-4-64	
PART No 5/01/251		