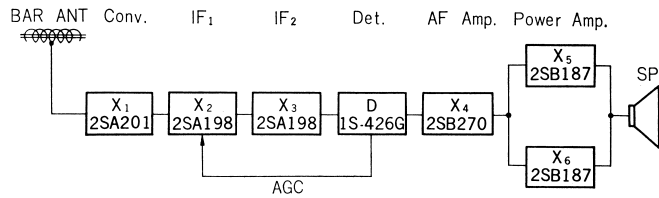


S5-1 SONY MODEL 4R-56

Block Diagram



Frequency Coverage and Tracking Adjustment

Adj. Item	SSG (Standard Signal Generator) Coupling	SSG Freq.	Receiver Dial Setting	Connect VTVM	Adjust	Remarks
Frequency Coverage	Loop Antenna	520 Kc (1,000 c/s (30% AM))	Fully Left	Across 8Ω Load Resistor	OSC Coil	Adjust for maximum Meter reading. Volume Control : Max. Power Supply : DC. 6V
		1,680 Kc (")	Fully Right		OSC Trimmer (CT ₂)	
Tracking	—ditto—	620 Kc (")	Tune to 620 KC Signal	—ditto—	Bar Antenna Coil	—ditto—
		1,400 Kc (")	Tune to 1,400 Kc Signal		ANT Trimmer (CT ₁)	

Removal of Chassis

- (1) Remove the Back Cover from the Cabinet.
- (2) Remove the five Screws marked with Δ shown in Fig. 1.
- (3) Remove the Printed Circuit Board from the Cabinet gently taking care not to cut the speaker leads.

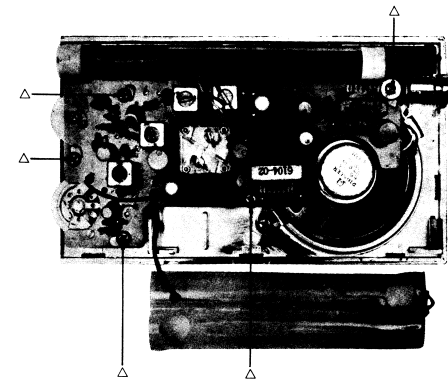
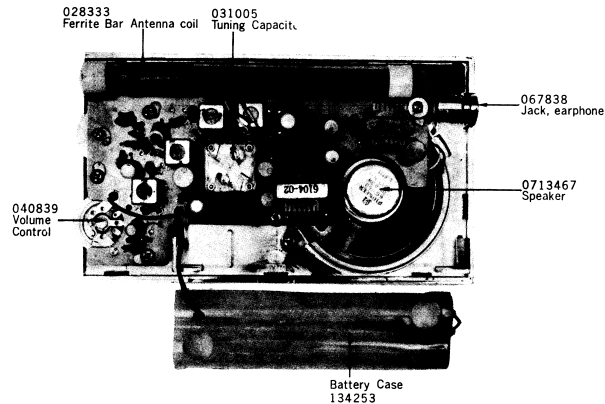
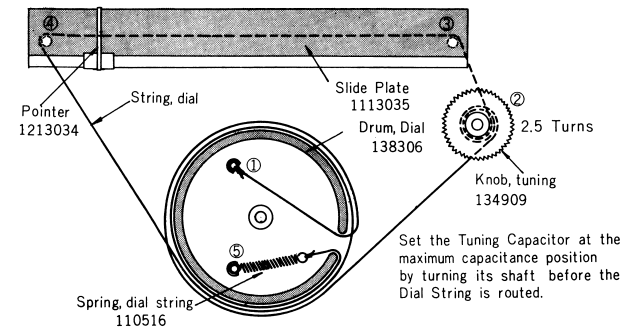


Fig. 1

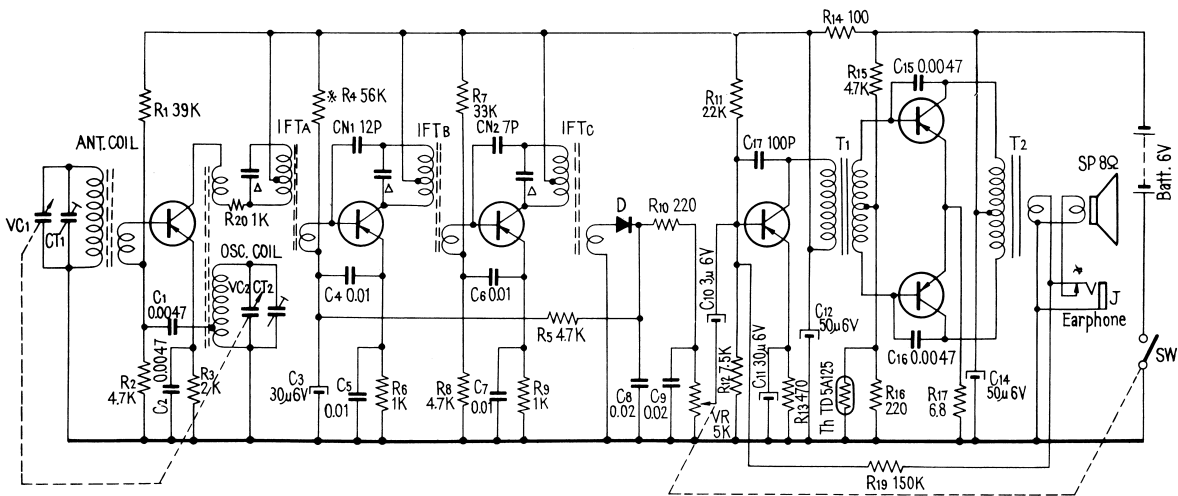
Interior View



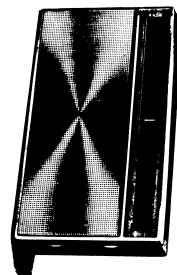
Dial Cord Stringing



X1 2SA201 X2 2SA198 X3 2SA198 D IS426G X4 2SB270 X5,6 2SB187 × 2

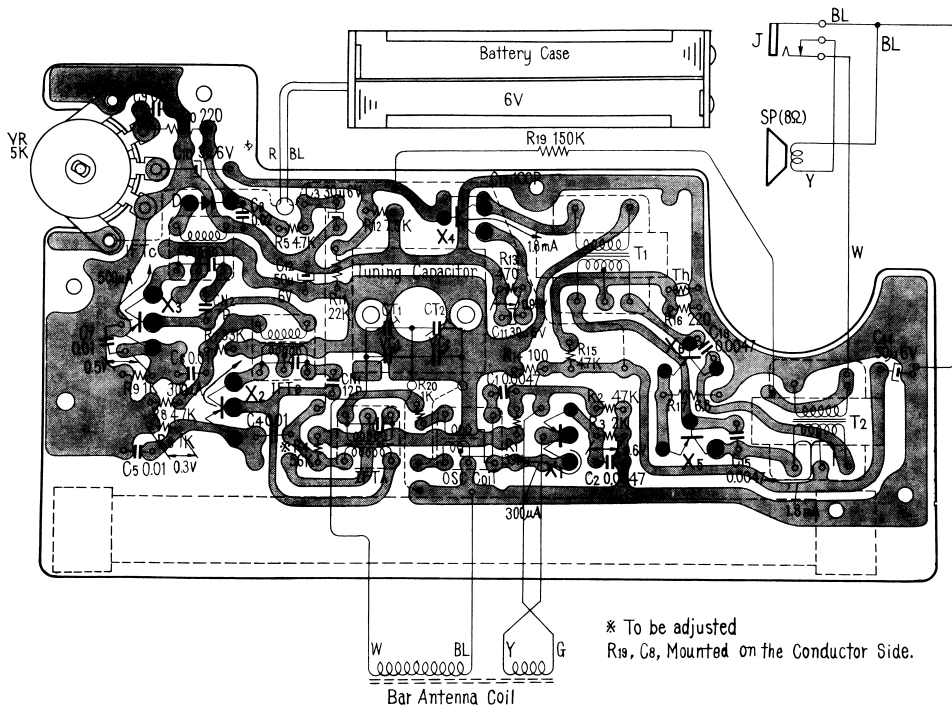


* To be adjusted
 Δ Built in IFT



Mounting Diagram

— Conductor Side —



* To be adjusted
 R19, C8, Mounted on the Conductor Side.

SONY MODEL 4R-56

S5-1