

# Service Data for the Healing Receiver

## MODEL 49A

Power Supply—6 volt Accumulator.

Frequency Range—550-1,620 kilocycles.

Intermediate Frequency—455 kilocycles.

Speaker Transformer Impedance—15,000 ohms.

Dial Lights—6 volts .1 amp.

Battery Current—1 amp without dial light.

Typical Valve Voltages—

		1,000 ohms per volt D.C. meter scales			
		10 V.	250 V.	250 V.	250 V.
Valve	Use	Filament	Screen	Plate	Osc. Plate
1C6 . . . . .	Osc. Mod.	2	65	155	60
1C4 . . . . .	I.F.	2	65	155	
1K6 . . . . .	Det. A.V.C., 1st A.F.	2	30	40	
1D4 . . . . .	2nd A.F.	2	155	150	

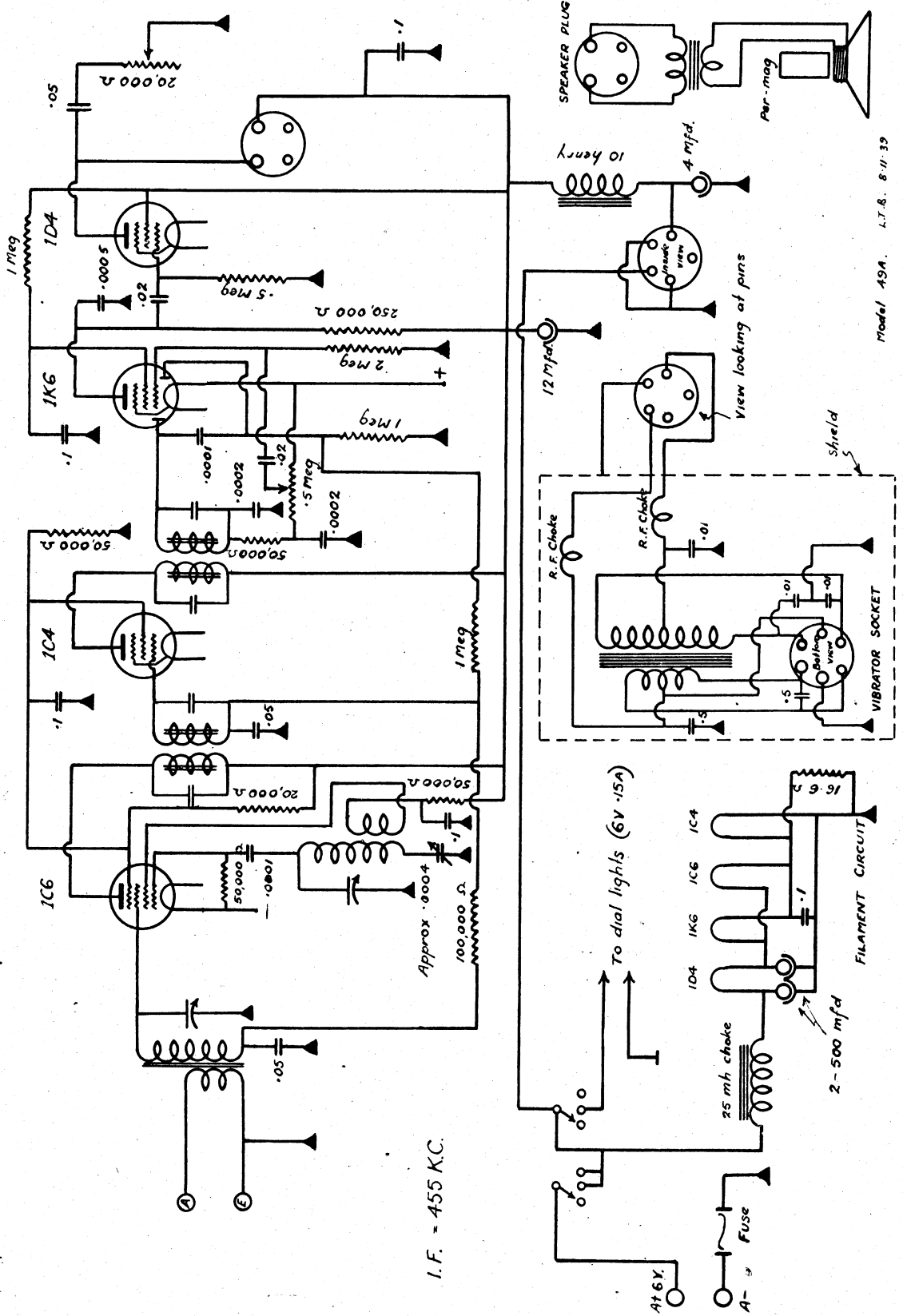
Voltage measurements taken with aerial disconnected and no signal input.

See pages 153 and 117 for alignment procedure.

**Trimmers.**—The aerial section of the condenser gang is nearest the back of the chassis.

# HEALING

Service Data for the Healing Receiver, Model 49A.



I.F. = 455 K.C.

Model 49A. L.T.S. 8-11-39

**Circuit Diagram of Model 49A**