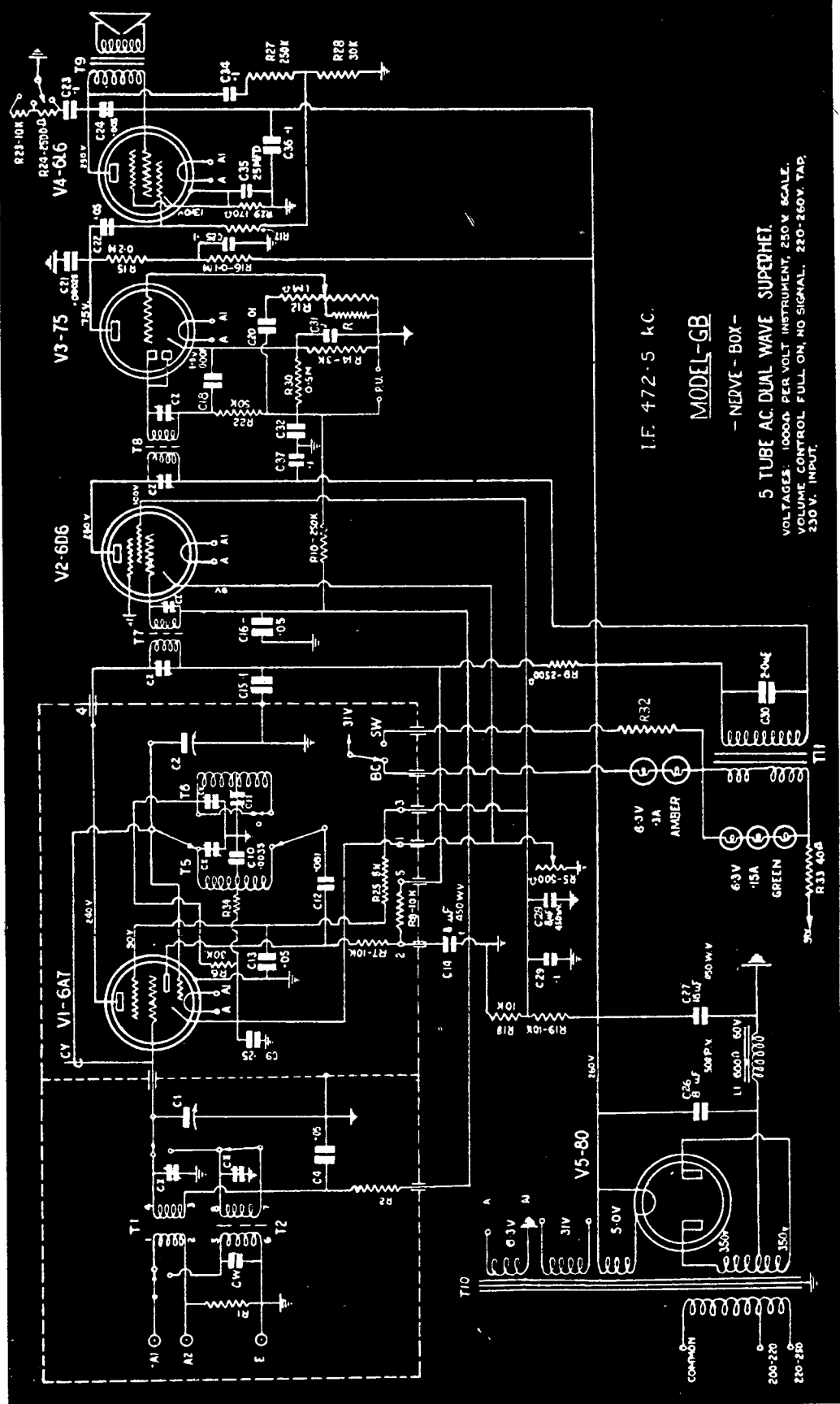


"Astor" A.C. Operated Dual-Wave Console Models 450DW and 450DWL



ASTOR

450DW, 450DWL

Chassis Type "GB"

Uses 8-inch, 600 ohms field loudspeaker.

COMPONENT VALUES.

RESISTORS.
 R1, R2, R16—100,000 ohms, 1 W.; R5 (PR131)—500 ohms, adj. w.w.; sensitivity control; R6, R28—30,000 ohms, 1/2 W.; R7, R8—10,000 ohms, 1/2 W.; R9—2,500 ohms, 1 W.; R10, R27—250,000 ohms, 1/2 W.; R12 (PR111)—1 megohm, centre tapped volume control; R14—3,000 ohms, 1/2 W.; R15—200,000 ohms, 1/2 W.; R17, R30—500,000 ohms, 1/2 W.; R18—10,000 ohms, 3 W.; R19—10,000 ohms, 6 W. (two 10,000 ohms, 3 W. in parallel); R22—50,000 ohms, 1/2 W.; R23—10,000 ohms, 1/2 W.; R24—2,500 ohms, 1/2 W.; R25—5,000 ohms, 1/2 W.

COILS, ETC.

T1 (PT101)—S.W. aer. coil; T2 (PT102)—B.C. aer. coil; T5 (PR103)—S.W. osc. coil; T6 (PR104)—B.C. osc. coil; T7 (PR119)—1st I.F. trans.; 472.5 kC.; T8 (PT120)—2nd I.F. trans., 472.5 kC.; T9—loudspeaker trans.; T10 (PR125)—power transformer; T11 (PT126)—tuning light trans.; L1—600 ohms, speaker field.

CONDENSERS.

C1, C2 (PC137)—13.5/387 mmfd., 2-gang variable; C4, C13, C16—0.05 mfd., 200 v. paper; C5—0.25 mfd., 200 v.; C10—0.003 mfd., 200 v. mica; C11 (PR148) padder; C12—150/500 mmfd., adj. B.C. padder; C12—0.001 mfd., 200 v. mica; C14, C28—8 mfd., 450 v.; V. electro; C15, C25, C34, C36—450 v.; V. electro; C16, C18, C32—500 v. mmfd.; mica; C29—0.01 mfd., 200 v.; paper; C21—250 mmfd., 200 v. mica; C23—0.1 mfd., 600 v. paper; C24—0.005 mfd., 400 v. paper; C26—8 mfd., 500 v. peak electro; C27—1 mfd., 450 v. peak electro; C30 (PC159)—2 mfd., 200 v. paper; C31, C35 (PC160)—2 mfd., 200 v. paper.

I.F. 472.5 kC.

MODEL-GB
 - NERVE - BOX -

5 TUBE AC. DUAL WAVE SUPERHET.

VOLTAGES: 1000+ PER VOLT INSTRUMENT, 250 X SCALE. VOLUME CONTROL FULL ON, NO SIGNAL. 220-240V. TAP. 250V. INPUT.

(Continued on facing page)

Astor 450 DW, 450 DWL

(Continued from facing page)

mfd., 50 v., W., electro; **Cz**—I.F.T. trimmers (1st I.F.T.), PC119C (2nd I.F.T.), PC120C; **Cx** (PC122)—2/20 mmfd., coil trimmers; **Cw** (PC138)—40 mmfd., aer. capacity winding; **Cy**—"gimmick," approx. 2 mmfd., for neutralisation of space charge effect in 6A7. This is composed of a short length of insulated wire connected to the osc. section of the tuning gang, and having its free end twisted around the mixer input grid lead.

SUNDRIES.

Lamps—PM127, 6.3 v., 0.15 A; PM140, 6.3 v., 3A; **3-Contact tone-control switch**—PM 120.

ALTERATIONS.

In earlier models of this series it will be found that the resistor R (50,000 ohms), connected from the tap of the volume control R12 (1 megohm), is not present. This was added as from 4/5/'37. C23 (0.1 mfd., 600 v.) will be found to be a 0.1 mfd. 400 v. condenser in the earlier models. Should replacement be necessary, the higher rating unit is preferable. In later models of this series resistor R32 (25 ohms, w.w.) was replaced by a 10 ohms, w.w. resistor for the purpose of increasing the green illumination on S.W. position.