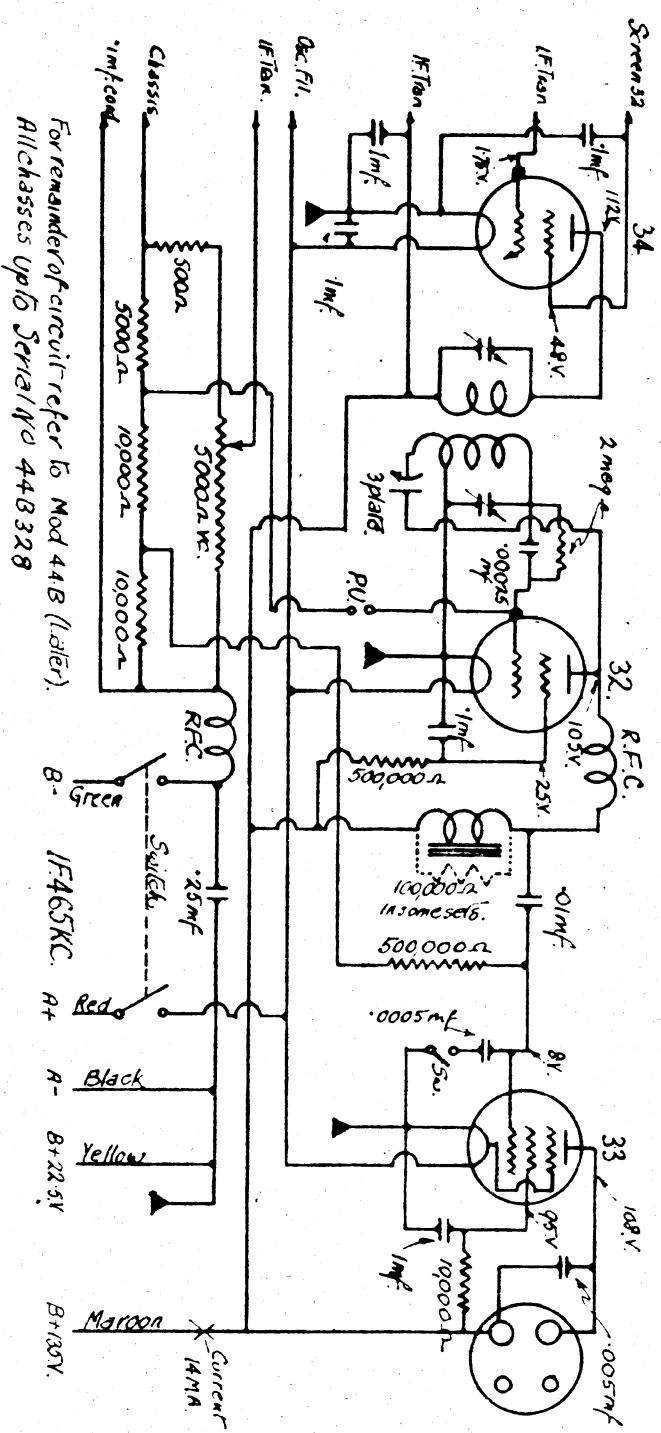


Voltage measurements 100μV meter 250V scale Vol/Control Pull on No signal. I.F. 465 KC. All classes above and including Serial No 44B32Q C-22.5V. C-18V. C+ A+ A- B- B+ 45V. B+135V.



For remainder of circuit refer to Mod 44B (later). All classes up to Serial No 44B328

Model 44B.