

Service Data for the Healing Receiver

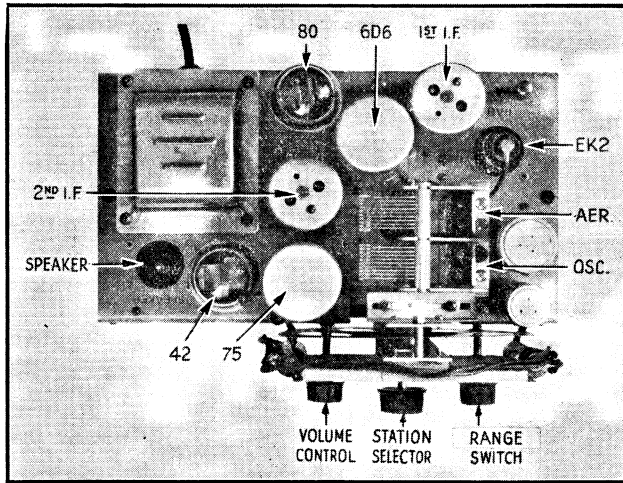
MODELS 447G and 448G

Radio-Gramophone combinations, including Dual Wave Superheterodyne, with A.V.C.

Power Supply
200-250 Volts
A.C.
50 Cycles

Speaker Field
2500 ohms.

Dial Lamps
6 Volt-.5 amp.



Frequency
Range
1500-550 K.C.
6-18 M.C.

Intermediate
Frequency
455 K.C.

TYPICAL VALVE VOLTAGES (measured to Chassis).

Valve	Use	A.C. Filament	1,000 ohms. per volt D C. Meter Scales			
			50 V. Cathode	250 V. Screen	250 V. Plate	250 V. Osc. Plate
6A8 447G	Osc. Mod	6.2	3	90	235	155
EK2 448G	Osc. Mod	6.2	6-B.C. 3-S.W.	90	235	155
6D6	I.F.	6.2	4	90	235	
75	A.V.C. Det. 1st A.F.	6.2	1.5	—	125	
42	2nd A.F.	6.2	14.5	235	220	
80	Rectifier	5				

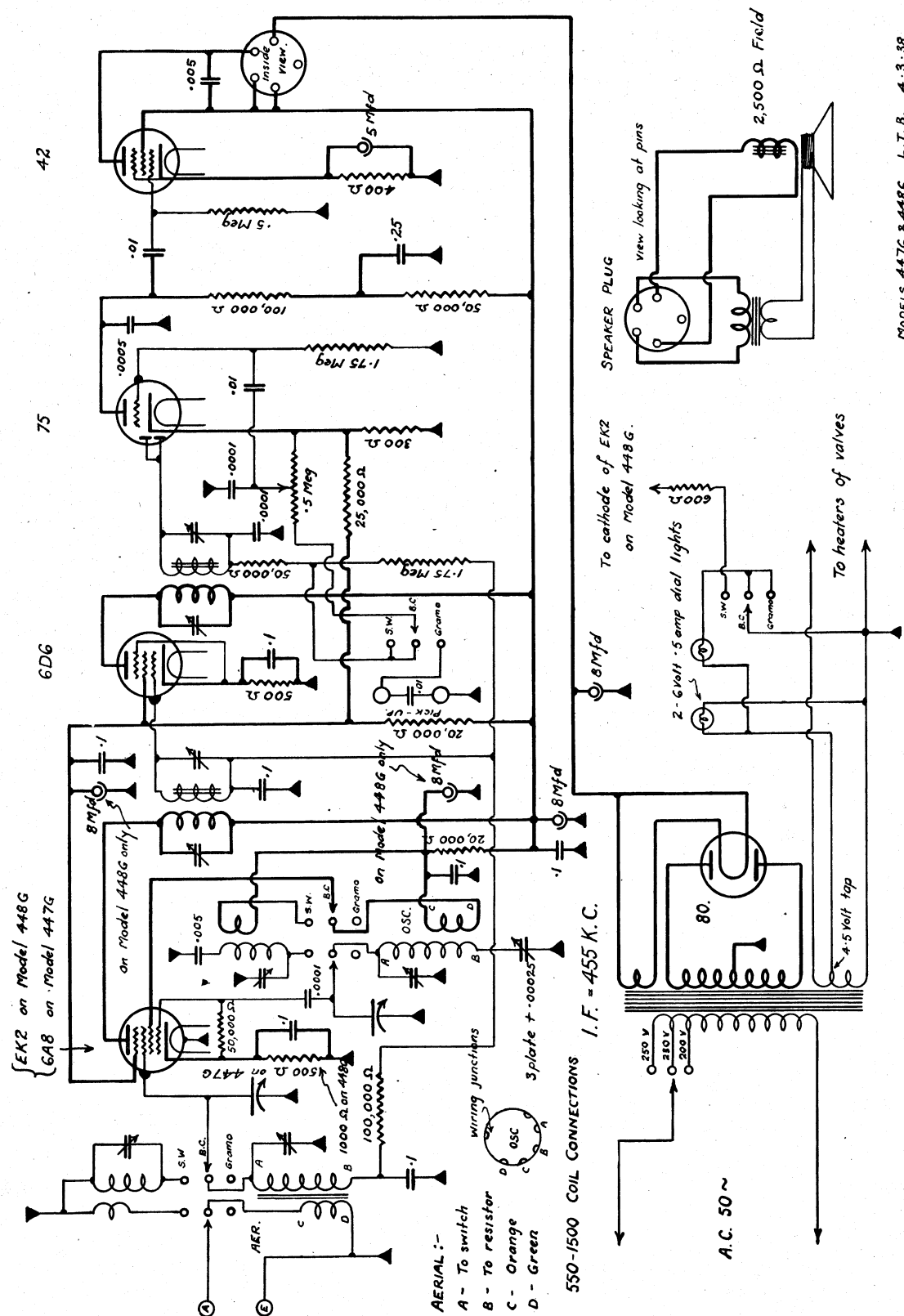
Speaker Field Voltage Drop—130 Volt.

Voltage measurements taken with aerial disconnected and no signal input.

Trimmers.—Aerial trimmers are mounted horizontally with B.C. nearest end of chassis. Oscillator trimmers are mounted vertically with B.C. nearest back of chassis.

HEALING

Service Data for the Healing Receiver Models 447G and 448G



Circuit Diagrams of Models 447G and 448G.

MODELS 447G & 448G, L.T.B. 4-3-58.