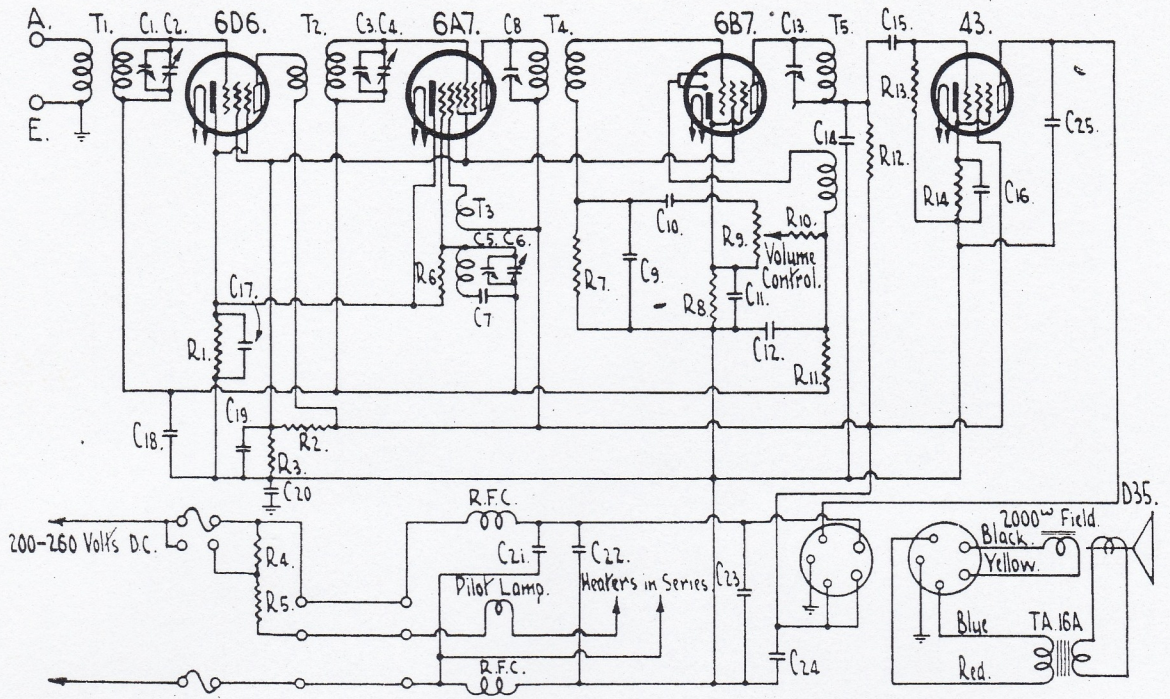


BANDMASTER "CLARION" 445D



Code	COILS.	Code	RESISTORS.	Code	CONDENSERS.
T1	Aerial Coil	R1	950 ohms, Wire Wound	C1	10-50 mmfd. Mica Trimmer
T2	R.F. Coil	R2	40,000 ohms, 1 watt	C2	Variable Condenser
T3	Oscillator Coil	R3	20,000 ohms, 1 watt	C3	10-50 mmfd. Mica Trimmer
T4	First I.F. Transformer	R4	100 ohms, Wire Wound	C4	Variable Condenser
T5	Second I.F. Transformer	R5	540 ohms, Wire Wound	C5	10-50 mmfd. Mica Trimmer
		R6	60,000 ohms, 1/2 watt	C6	Variable Condenser
		R7	500,000 ohms, 1/2 watt	C7	900 mmfd. Mica Padding Condr.
		R8	2,000 ohms, Wire Wound	C8	100-200 mmfd. Mica Trimmer
		R9	250,000 ohms, Volume Control	C9	200 mmfd. Mica Condenser
		R10	300,000 ohms, 1/2 watt	C10	.01 mfd. Paper Tubular Condr.
		R11	1 3/4 megohms, 1/2 watt	C11	5 mfd. 25v. Electrolytic Condr.
		R12	100,000 ohms, 1/2 watt	C12	200 mmfd. Mica Condenser
		R13	300,000 ohms, 1/2 watt	C13	10-50 mmfd. Mica Trimmer
		R14	500 ohms, 1 watt	C14	700 mmfd. Mica Condenser
				C15	.01 mfd. Paper Tubular Condr.
				C16	25 mfd. 25v. Electrolytic Condr.
				C17	.25 mfd. Paper Tubular Condr.
				C18	.05 mfd. Paper Tubular Condr.
				C19	.50 mfd. Paper Tubular Condr.
				C20	.05 mfd. Paper Tubular Condr.
				C21	.05 mfd. Paper Tubular Condr.
				C22	.05 mfd. Paper Tubular Condr.
				C23	2 1/2 mfd. Paper Flat Condenser
				C24	2 1/2 mfd. Paper Flat Condenser
				C25	.01 mfd. Paper Tubular Condr.

VALVE SOCKET VOLTAGES.

240 Volts D.C. Supply.

VALVE.	Cathode Negative.	Cathode to Screen Grid.	Cathode to Plate	Plate Current M.A.	Heater Volts.
6D6 R.F.	3.5	30	150	0.8	6.3
6A7—1st Detector	3.5	30	150	0.4	6.3
Oscillator	—	—	150	1.7	—
6B7—2nd Detector	2.0	30	70	0.8	6.3
43 Pentode	20	135	125	30	25

Voltage across Loudspeaker Field — 85.