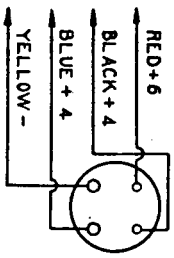
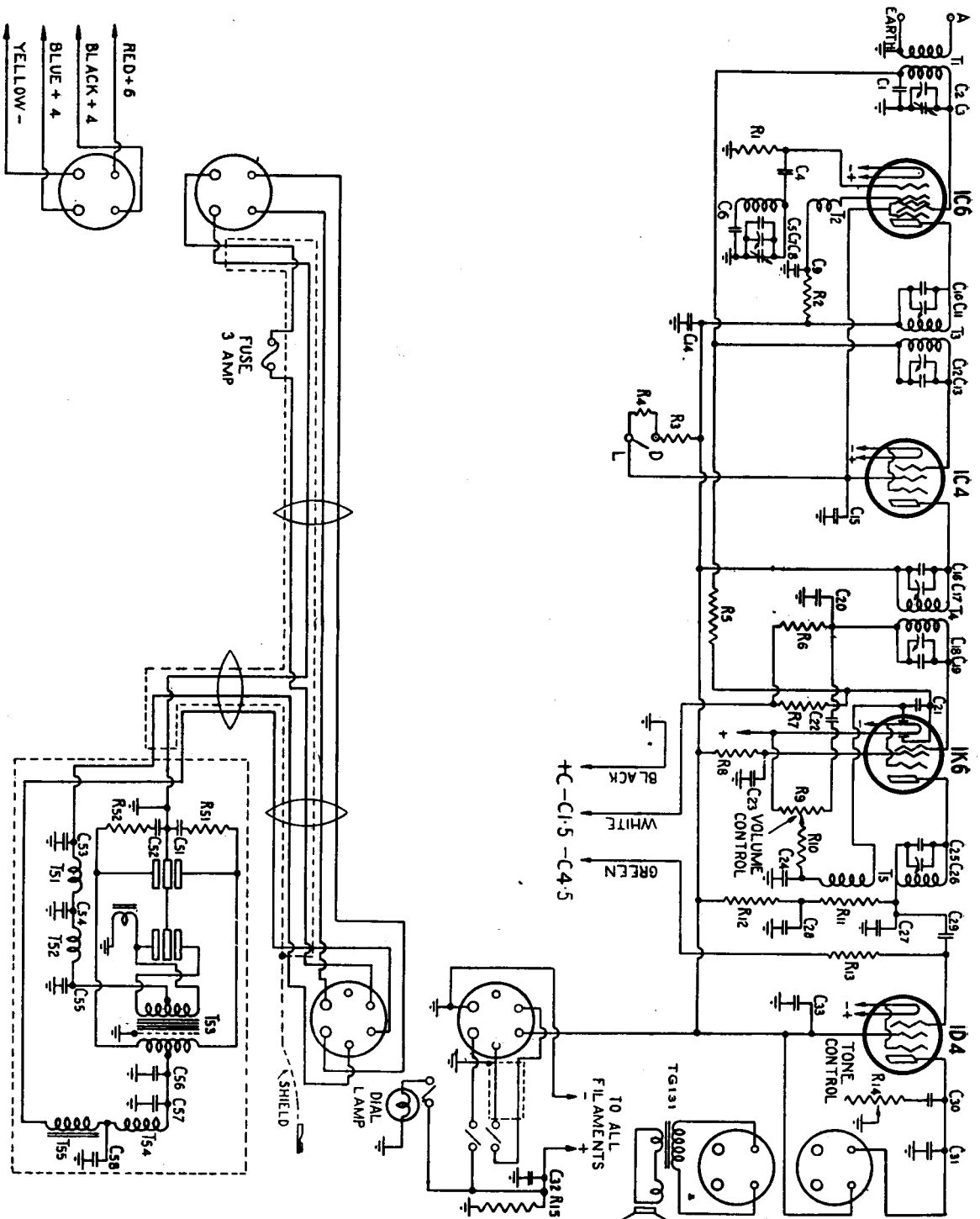


Code	Part No.	COILS — RECEIVER UNIT	Code	Part No.	RESISTORS — RECEIVER UNIT	Code	Part No.	CONDENSERS — RECEIVER UNIT
T1	1560	Aerial Coil	R12		20,000 ohms, $\frac{1}{2}$ watt	C17		10-50 mmfd. Mica Trimmer
T2	2893	Oscillator Coil	R13		1 Megohm, $\frac{1}{2}$ watt	C18		10-50 mmfd. Mica Trimmer
T3	1523C	First I.F. Transformer	R14	2762	100,000 ohms, Tone Control	C19		130 mmfd. Mica (H)
T4	1523D	Second I.F. Transformer	R15	3367	4.5 ohms, wire wound	C20		200 mmfd. Mica (J)
T5	1530B	Third I.F. Transformer				C21		700 mmfd. Mica
		COILS — POWER UNIT			RESISTORS — POWER UNIT	C22		.05 mfd. Paper
T51	3149	R.F. Choke	R51		50 ohms, $\frac{1}{2}$ watt	C23		.1 mfd. Paper
T52	3294	R.F. Choke	R52		50 ohms, $\frac{1}{2}$ watt	C24		200 mmfd. Mica (J)
T53	3290	Vibrator Trans. (4 volt)				C25		130 mmfd. Mica (H)
T54	3303	R.F. Choke			CONDENSERS — RECEIVER UNIT	C25		10-50 mmfd. Mica Trimmer
T55	3292	Smoothing Choke				C27		700 mmfd. Mica
		RESISTORS — RECEIVER UNIT				C28		.25 mfd. Paper
R1		60,000 ohms, $\frac{1}{2}$ watt	C1		.05 mfd. Paper	C29		.05 mfd. Paper
R2		50,000 ohms, $\frac{1}{2}$ watt	C2		10-50 mmfd. Mica Trimmer	C30		.035 mfd. Paper
R3		75,000 ohms, $\frac{1}{2}$ watt	C3	2891	Variable Condenser	C31		.005 mfd. Paper
R4		50,000 ohms, $\frac{1}{2}$ watt	C4		50 mmfd. Mica (D)	C32		.5 mfd. Paper
R5		1 $\frac{1}{2}$ Megohms, $\frac{1}{2}$ watt	C5		15 mmfd. Mica (C)	C33		8 mfd. Electrolytic
R6		1 $\frac{1}{2}$ Megohms, $\frac{1}{2}$ watt	C6		410 mmfd. Mica Padding			CONDENSERS — POWER UNIT
R7		1 $\frac{1}{2}$ Megohms, $\frac{1}{2}$ watt	C7		10-50 mmfd. Mica Trimmer			
R8		250,000 ohms, 1 watt	C8	2891	Variable Condenser	C51		.02 mfd. Paper
R9	1507	500,000 ohms, Vol. Control	C9		.05 mfd. Paper	C52		.02 mfd. Paper
R10		300,000 ohms, $\frac{1}{2}$ watt	C10		130 mmfd. Mica (H)	C53		.1 mfd. Paper
R11		75,000 ohms, $\frac{1}{2}$ watt	C11		10-50 mmfd. Mica Trimmer	C54		.25 mfd. Paper
			C12		10-50 mmfd. Mica Trimmer	C55		.25 mfd. Paper
			C13		130 mmfd. Mica (H)	C56		8 mfd. Electrolytic
			C14		.5 mfd. Paper	C57		.02 mfd. Paper
			C15		.1 mfd. Paper	C58		.5 mfd. Paper
			C16		130 mmfd. Mica (H)			

RADIOLETTE 42V CIRCUIT DATA



Radiolette Model 42V

ELECTRICAL SPECIFICATIONS.

Accumulator "A" Battery	6 volts (1.20 amps.)
"C" Battery	4½ volts bias
Tuning Range	200-550 metres
Intermediate Frequency	460 K.C.

VALVES AND CIRCUITS.

1C6 Detector-Oscillator

1C4 I.F. Amplifier

1K6 I.F. Amplifier, Detector, A.V.C. and Audio Amplifier

1D4 Output Pentode.

SOCKET VOLTAGES.

VALVE	Chassis to Control Grid Volts	Chassis to Screen Grid Volts	Chassis to Plate Volts	Plate Current M.A.	Filament Volts
1C6 Detector	*1.5	50	135	1.0	2.0
Oscillator	—	—	60	1.5	—
1C4 I.F. Amplifier	*1.5	50	135	1.5	2.0
1K6 Reflex Amplifier and Detector	*1.5	*50	*55	0.75	2.0
1D4 Output Pentode	*4.5	135	130	6.0	2.0

Measured with controls in maximum clockwise position and with sensitivity switch in distant (D) position. No signal input.

* Cannot be measured with ordinary voltmeter.