

Service Data for the Healing Receiver

MODEL 425E

Power Supply—200-250 volts A.C., 50 cycles.

Frequency Range—550-1,620 kilocycles.

Intermediate Frequency—455 kilocycles.

Speaker Field—2,000 ohms.

Speaker Transformer Impedance—7,000 ohms.

Dial Lights—6 volt .3 or .5 amp.

Typical Voltages (measured to chassis)—

		A.C.	1,000 ohms per volt D.C. meter scales			
			50 V.	250 V.	250 V.	250 V.
Valve	Use	Filament	Cathode	Screen	Plate	Osc. Plate
EK2G . . .	Osc. Mod.	6.0	1.5 to 20 V.	55 to 85 V.	240	175
6G8G . . .	I.F. Det.	6.0	1.5 to 20 V.	100 to 145 V.	240	
EL3G . . .	A.F.	6.0	6	240	227	
80	Rectifier	4.9				

Voltage Across Speaker Field—125 volts.

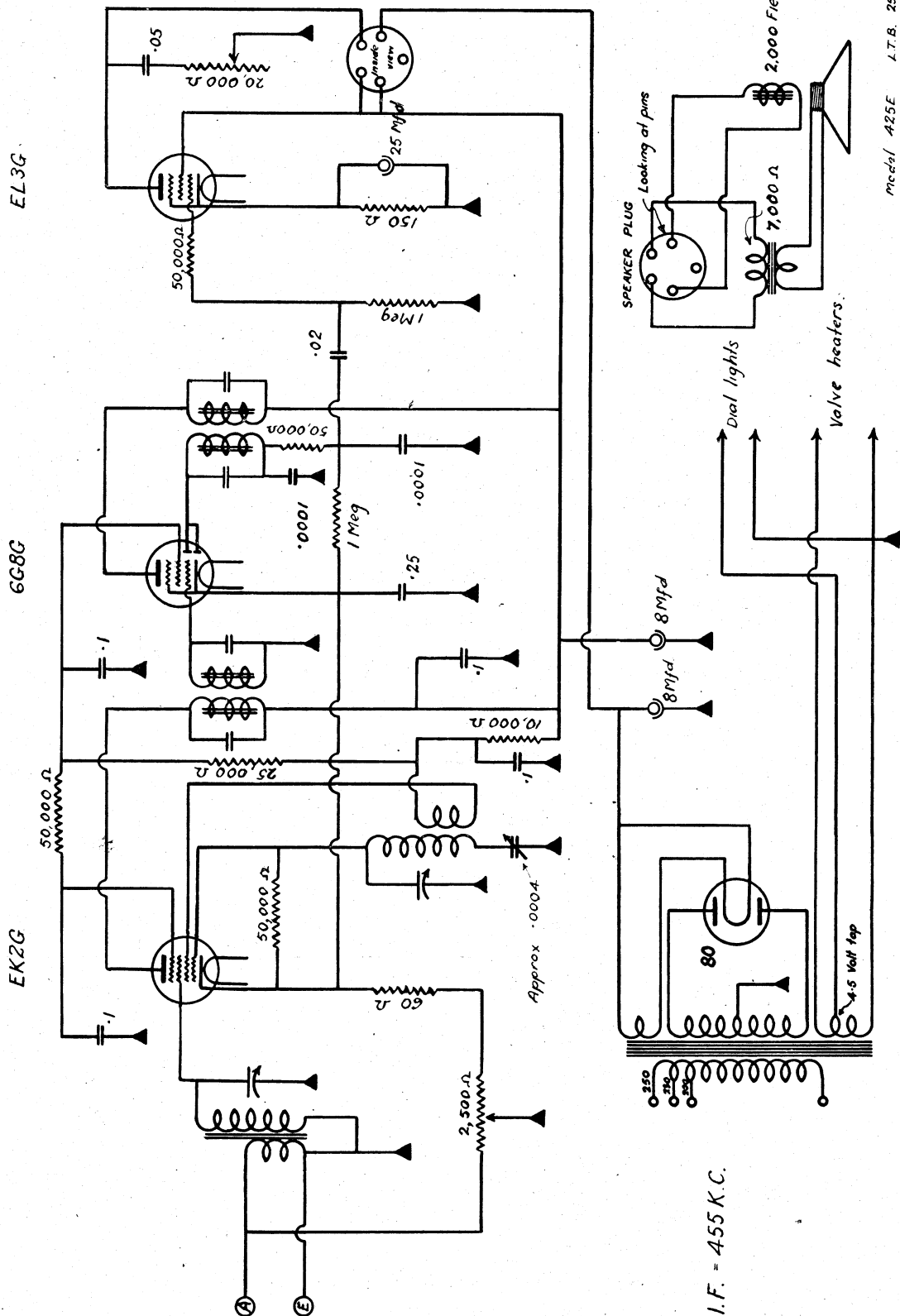
Voltage measurements taken with aerial disconnected and no signal input. Voltages which vary considerably with the setting of the volume control are shown with the first reading for the full on position.

See pages 153 and 117 for alignment procedure.

Trimmers—The aerial section of the condenser gang is at the back.

HEALING

Service Data for the Healing Receiver, Model 425E.



EL3G

6G8G

EK2G

I.F. = 455 K.C.

Models 425E I.T.B. 25-9-40

Circuit Diagram of Model 425E