

# Service Data for the Healing Receiver

## MODEL 425A

Power Supply—6 volt Accumulator.

Frequency Range—550-1,620 kilocycles.

Intermediate Frequency—455 kilocycles.

Speaker Transformer Impedance—15,000 ohms.

Dial Lights—6 volt, .1 or .15 amp.

Battery Current—1 amp. without dial lights.

Typical Valve Voltages:—

		1,000 ohms per volt D.C. meter scales.			
		10 V.	250 V.	250 V.	250 V.
Valve	Use	Filament	Screen	Plate	Osc. Plate
1C7G . . . .	Osc. Mod.	2	67	150	55
1K5G . . . .	I.F.	2	67	150	
1K7G . . . .	Det. A.V.C., 1st A.F.	2	30	45	
1L5G . . . .	2nd A.F.	2	150	145	

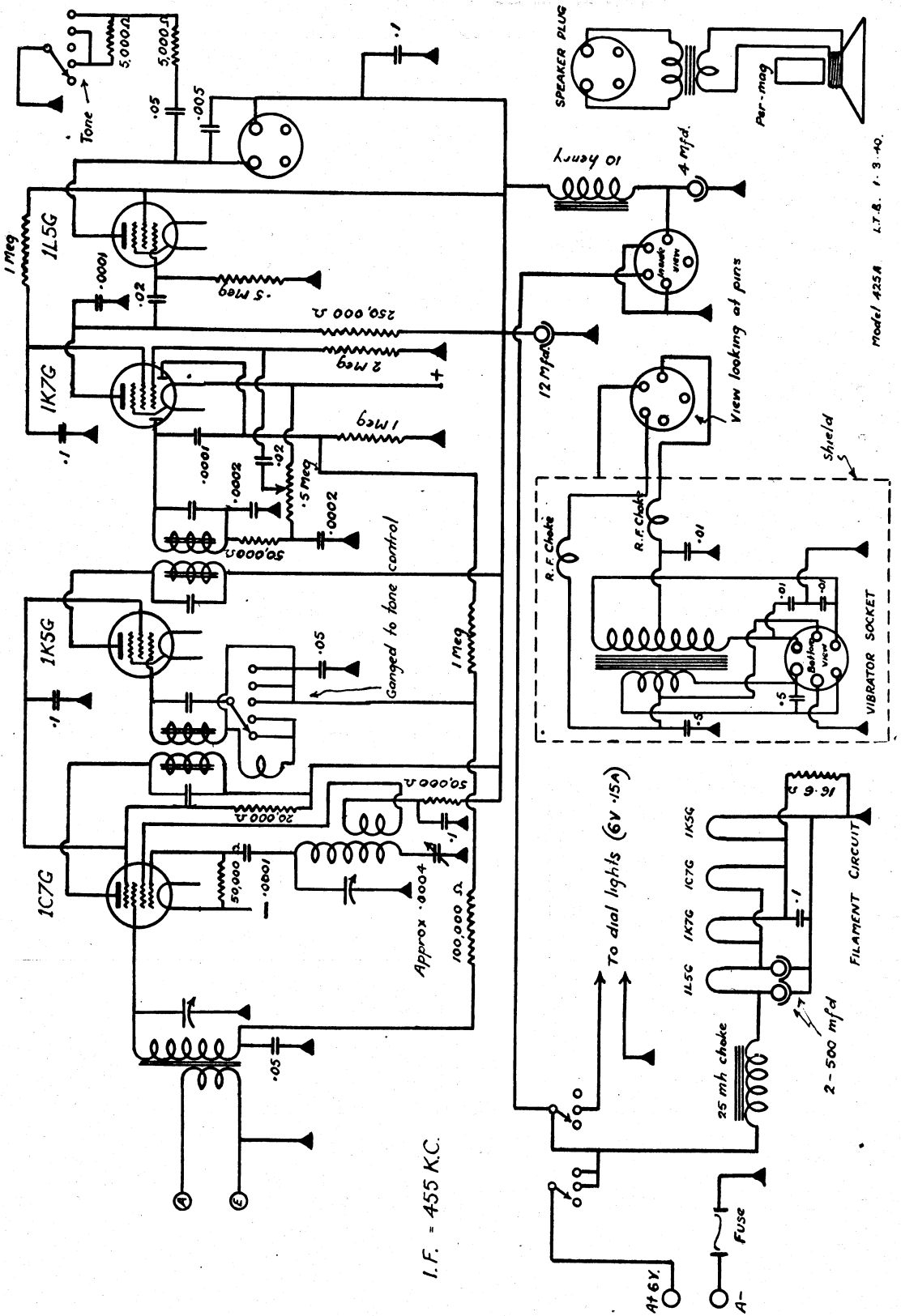
Voltage measurements taken with aerial disconnected and no signal input.

See pages 153 and 117 for alignment procedure.

**Trimmers.**—The aerial section of the gang is at the back.

# HEALING

Service Data for the Healing Receiver, Model 425A.



I. F. = 455 KC.

Model 425A I.T.B. 1-3-40

Circuit Diagram of Model 425A