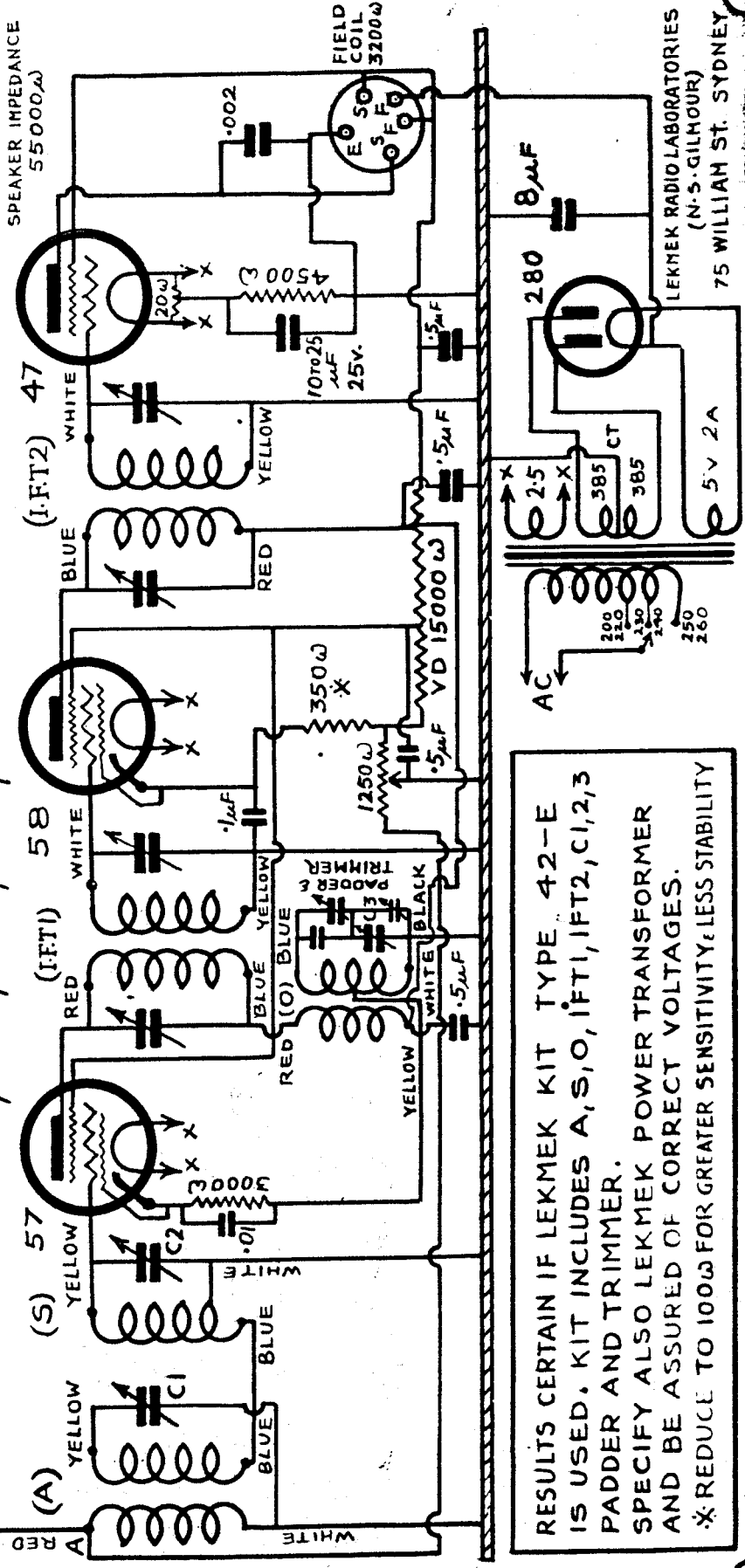


LEKMEK ELECTRIC SUPER TYPE 42-E

VALVES 1/57 1/58 1/47 1/280

LEKMEK
NO 42-E
ISSUE NO.2



RESULTS CERTAIN IF LEKMEK KIT TYPE 42-E IS USED. KIT INCLUDES A, S, O, IFT1, IFT2, C1, 2, 3 PADDER AND TRIMMER. SPECIFY ALSO LEKMEK POWER TRANSFORMER AND BE ASSURED OF CORRECT VOLTAGES. * REDUCE TO 100Ω FOR GREATER SENSITIVITY, LESS STABILITY

LEKMEK RADIO LABORATORIES
(N.S. GILMOUR)
75 WILLIAM ST. SYDNEY