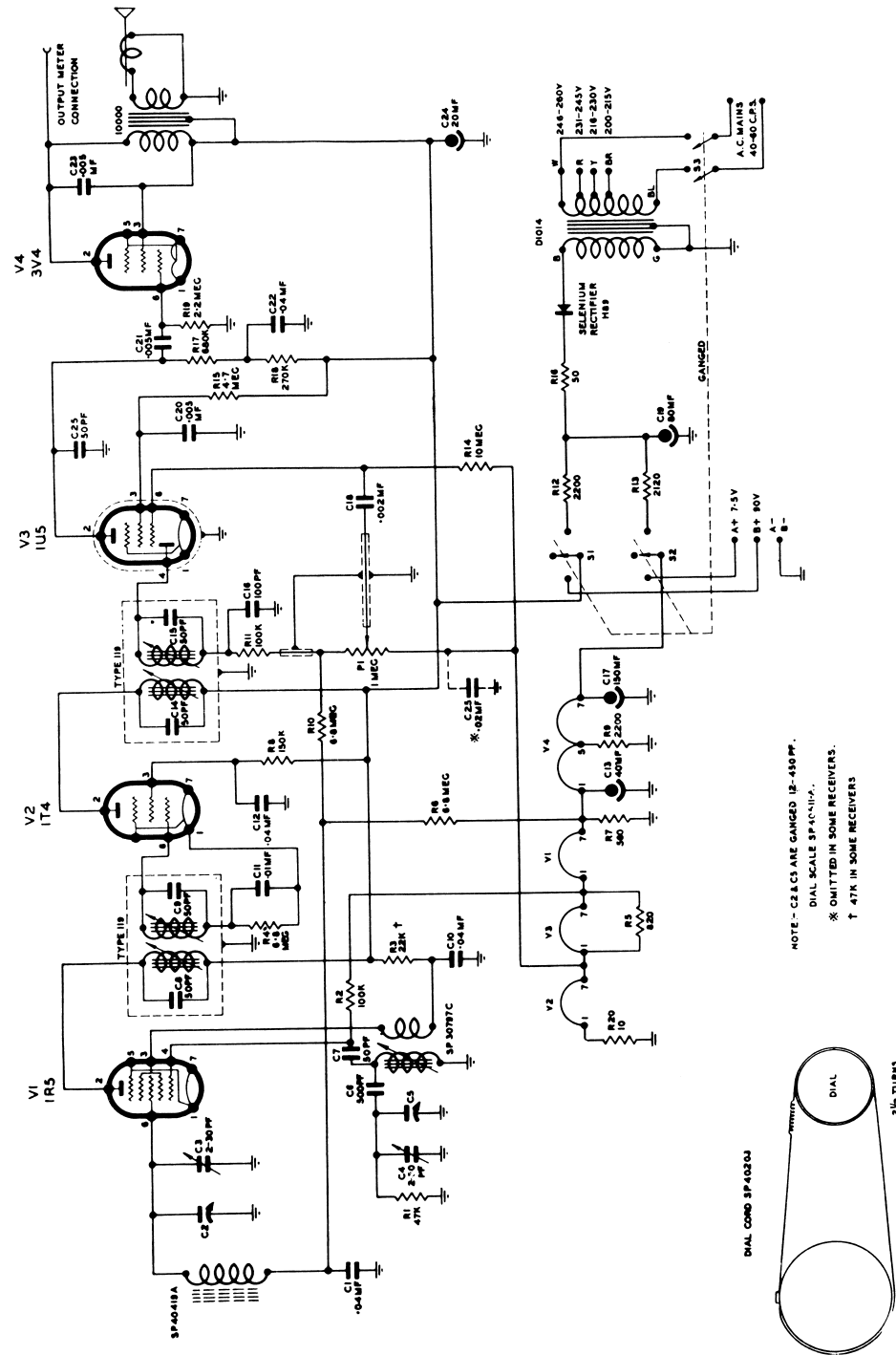
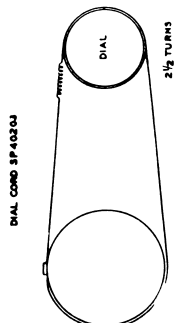


SPECIFICATION OF S.T.C. MODEL 4140

S.T.C. MODEL 4140



NOTE - C2 & C3 ARE GANGED 12-450 PF.
 DIAL SCALE SP402G.
 * OMITTED IN SOME RECEIVERS.
 † 47K IN SOME RECEIVERS



DESCRIPTION:

A four valve A.C. or battery operated portable receiver, incorporating—

- Inbuilt Ferrite Rod Aerial.
- Isolating power transformer for A.C. operation.
- Selenium rectifier.
- Automatic Volume Control.
- Three position selector switch for "A.C.-OFF-BATT."

TUNING RANGE:

530-1620 Kc/s.

INTERMEDIATE FREQUENCY:

455 Kc/s.

VALVE COMPLEMENT:

- V1 Frequency Converter. 1R5.
- V2 I.F. Amplifier. 1T4.
- V3 Detector, A.V.C. and Audio Amplifier. 1U5.
- V4 Power Output Pentode. 3V4.

POWER SUPPLY:

- 200-260 volts, 40-60 cycles, A.C.
- 90 milliamps at 240 volts, 50 cycles input.
- "A" battery, 7.5 volts at 50 milliamps.
- "B" battery, 90 volts at 12 milliamps approx.

LOUD SPEAKER:

Four inch permagnetic with 10000 ohm transformer.

CIRCUIT VOLTAGES:

	Plate	Screen	Filament A.C. Operation	Filament Bat. Operation
V1	90	50	1.25 to 1.45 (Pins 1 to 7)	1.25 to 1.55 (Pins 1 to 7)
V2	90	40	1.25 to 1.45 (Pins 1 to 7)	1.25 to 1.55 (Pins 1 to 7)
V3	90 thru 950K	90 thru 4.7 meg.	1.25 to 1.45 (Pins 1 to 7)	1.25 to 1.55 (Pins 1 to 7)
V4	87	90	1.25 to 1.45 (Pins 1 to 5)	1.25 to 1.55 (Pins 1 to 5)
V4			1.25 to 1.45 (Pins 5 to 7)	1.25 to 1.55 (Pins 5 to 7)

These voltages may vary within 5% of their stated values and must be measured with a voltmeter having a resistance of at least 1000 ohms per volt. Plate and Screen volts should be measured to receiver earth, but filament readings must be taken across each individual filament.