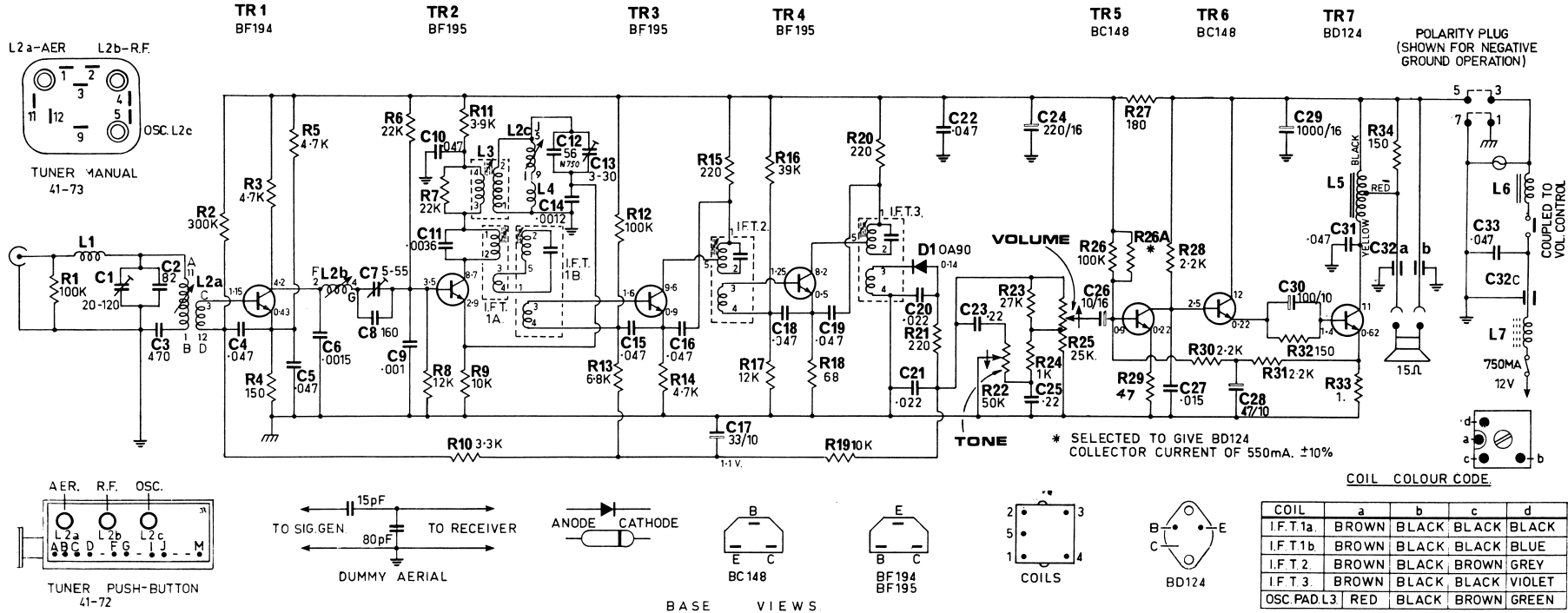


## MODEL 41-72 PUSH BUTTON 41-73 MANUAL



© ENCIRCLED LETTERS INDICATES FLEXIBLE CONNECTIONS TO PRINTED WIRING BOARD.

VOLTAGES MEASURED TO BOARD EARTH WITH NO INPUT SIGNAL & 12 VOLTS SUPPLY, USING V.T.V.M.

COMPONENTS WITHIN SHADED AREA ARE MOUNTED ON PRINTED WIRING BOARD.