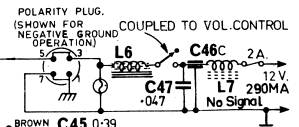
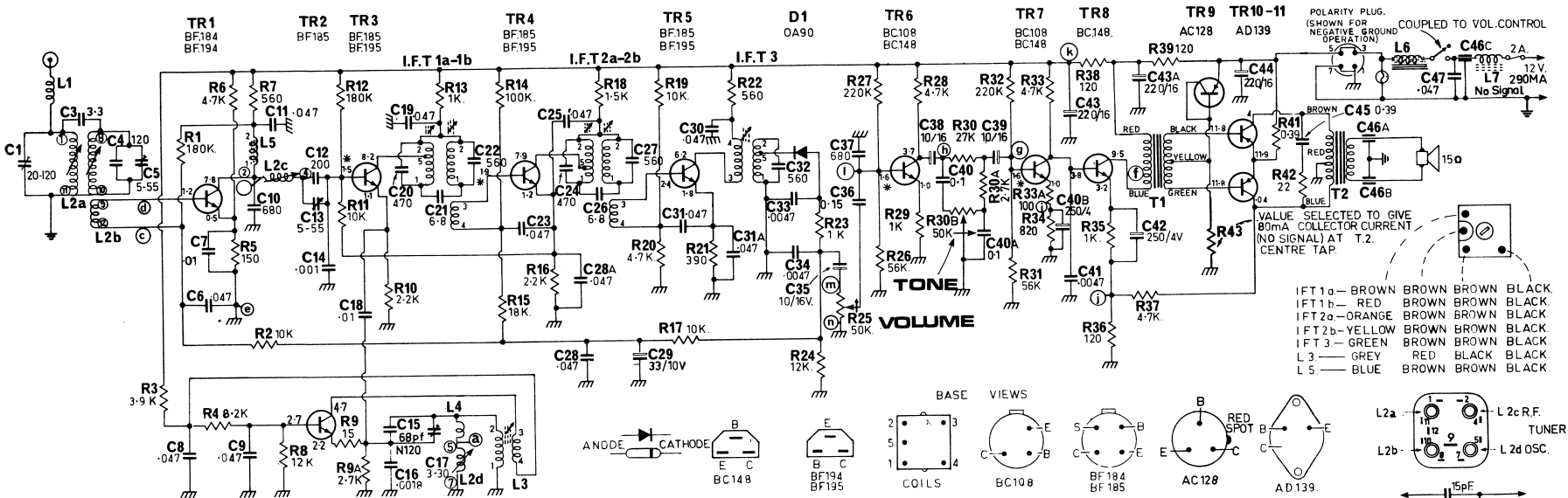
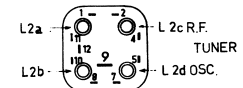
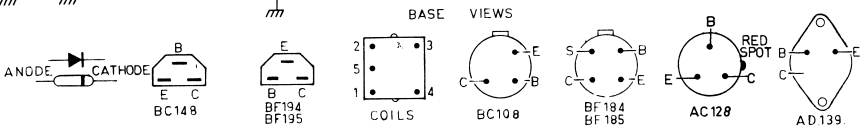


MODEL 41-71



VALUE SELECTED TO GIVE 80mA COLLECTOR CURRENT (NO SIGNAL) AT T.2. CENTRE TAP.

I.F.T. 1a—	BROWN	BROWN	BROWN	BLACK
I.F.T. 1b—	RED	BROWN	BROWN	BLACK
I.F.T. 2a—	ORANGE	BROWN	BROWN	BLACK
I.F.T. 2b—	YELLOW	BROWN	BROWN	BLACK
I.F.T. 3—	GREEN	BROWN	BROWN	BLACK
L 3—	GREY	RED	BLACK	BLACK
L 5—	BLUE	BROWN	BROWN	BLACK



Ⓐ ENCIRCLED LETTERS INDICATE FLEXIBLE CONNECTIONS TO PRINTED WIRING BOARD.  
 VOLTAGES MEASURED TO BOARD EARTH WITH NO INPUT SIGNAL & 12 VOLTS SUPPLY & 20,000Ω/VOLT DC METER.  
 \* VOLTAGES SO MARKED SHOULD BE MEASURED WITH A V.T.V.M. — COMPONENTS WITHIN SHADED AREA ARE MOUNTED ON PRINTED WIRING BOARD.

