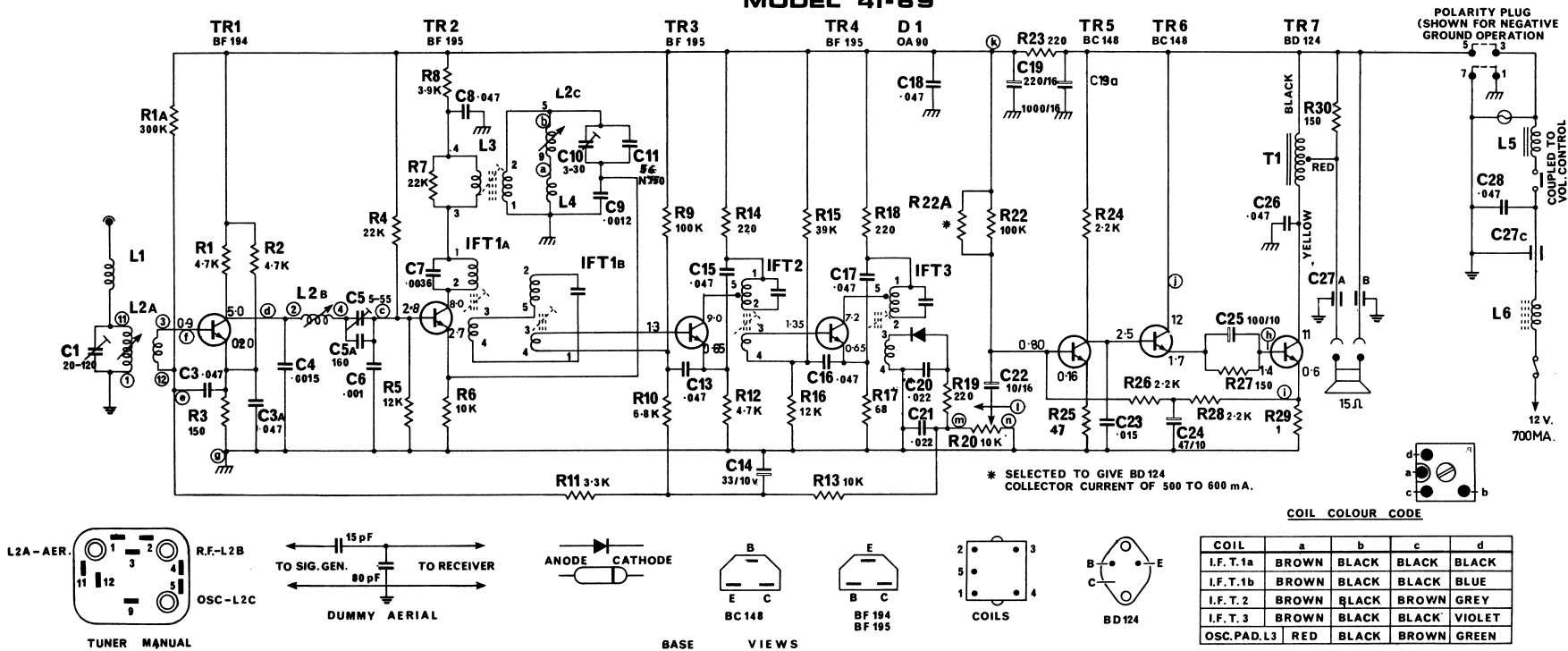


MODEL 41-69



ENCIRCLED LETTERS INDICATES FLEXIBLE CONNECTION TO PRINTED WIRING BOARD.
 VOLTAGES MEASURED TO BOARD EARTH WITH NO INPUT SIGNAL & 12VOLTS SUPPLY USING V.T.V.M.
 COMPONENTS WITHIN SHADED AREA ARE MOUNTED ON PRINTED WIRING BOARD.