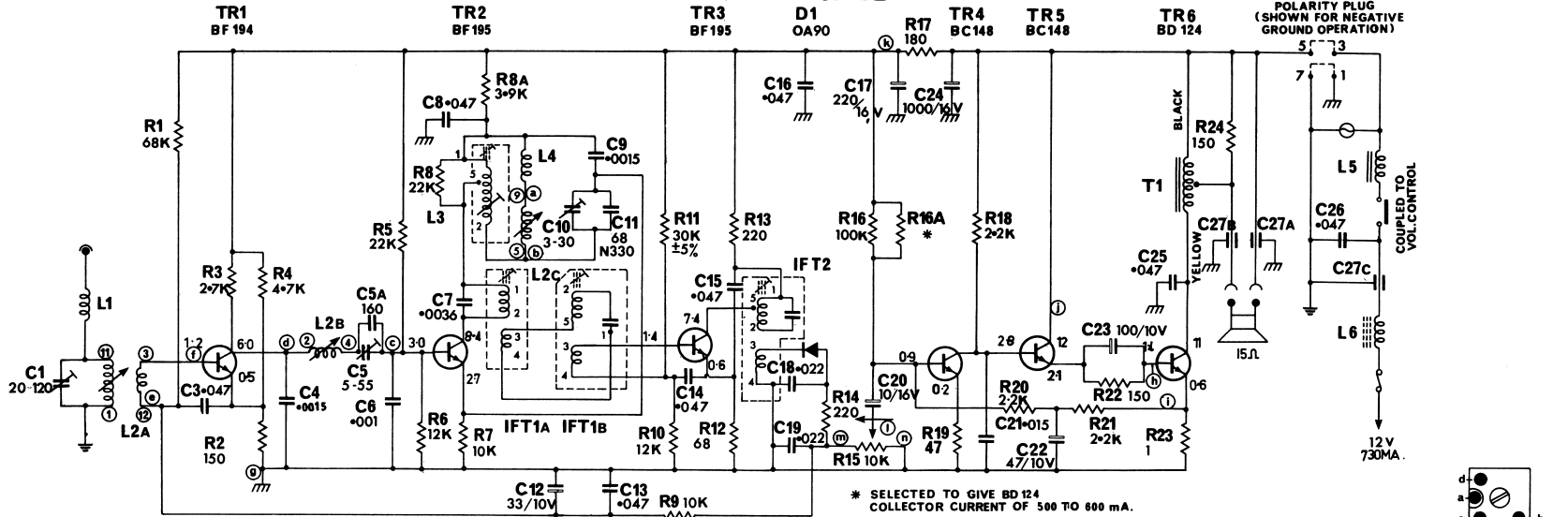
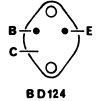
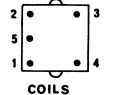
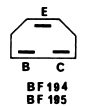
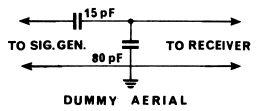
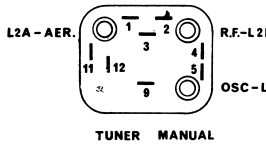


MODEL 41-68



* SELECTED TO GIVE BD 124 COLLECTOR CURRENT OF 500 TO 600 mA.



COIL COLOUR CODE

COIL	a	b	c	d
I.F.T.1a	BROWN	BLACK	BLACK	BLACK
I.F.T.1b	BROWN	BLACK	BLACK	BLUE
I.F.T.2	BROWN	BLACK	BLACK	VIOLET
OSC. PAD L3	RED	BLACK	BLACK	GREEN

ENCIRCLED LETTERS INDICATES FLEXIBLE CONNECTION TO PRINTED WIRING BOARD
 VOLTAGES MEASURED TO BOARD EARTH WITH NO INPUT SIGNAL & 12 VOLTS SUPPLY USING V.T.V.M.;
 COMPONENTS WITHIN SHADED AREA ARE MOUNTED ON PRINTED WIRING BOARD