

Service Data for the Healing Receivers

MODELS 409E, A409E, 49E and A49E

Power Supply—200 to 250 volts A.C. 50 cycles.

Frequency Range—550 to 1,620 kilocycles.

Intermediate Frequency—455 kilocycles.

Speaker Field—2,000 ohms.

Speaker Transformer Impedance—5,500 ohms.

Dial Lights—6 volts .5 amp.

Typical Valve Voltages (measured to chassis)—

		A.C.	1,000 ohms per volt D.C. meter scales.			
			50 V.	250 V.	250 V.	250 V.
Valve	Use	Filament	Cathode	Screen	Plate	Osc. Plate
EK2G . . .	Osc. Mod.	6.2	2.25	65	235	} 195 on B.C. } 95 on P.B.
6U7G . . .	I.F.	6.2	2.75	105	235	
6B8G . . .	Det. A.V.C. 1st A.F.	6.2	1.4	20	30	
6V6G . . .	2nd A.F.	6.2	10.5	235	223	
80	Rectifier	4.9				

Voltage Across Speaker Field—130 volts.

Voltage measurements taken with aerial disconnected and no signal input.

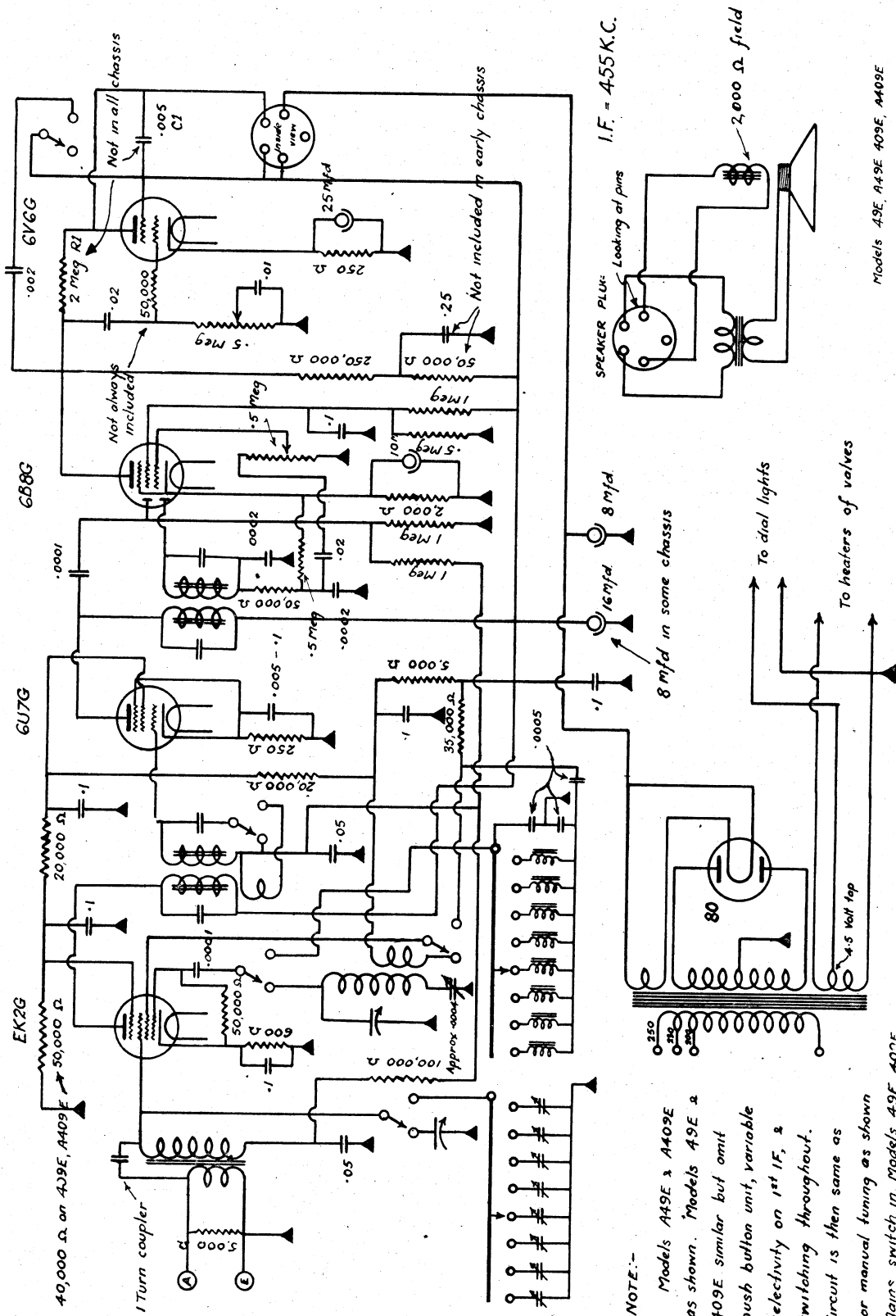
See pages 153 and 117 for alignment procedure.

Notes: As explained on the circuit diagram, the models 49E and 409E are identical with the A409E and A49E with the exception that they do not include push-button tuning. Consequently the change over switch from manual to push-button is omitted and an on-off switch in the mains input is substituted in its place.

In the circuit diagram a fixed condenser of .0002 value should be shown between the plate of the 6B8G valve and earth.

HEALING

Service Data for the Healing Receivers Models 409E, A409E, 49E and A49E



I.F. = 455K.C.

SPEAKER PLUG: Looking at pins

8 mfd in some chassis

2,000 Ω field

To dial lights

To heaters of valves

NOTE:-

Models A49E & A409E as shown. Models 49E & 409E similar but omit push button unit, variable selectivity on 1st IF, & switching throughout. Circuit is then same as for manual tuning as shown Mains switch in Models 49E, 409E.

Models 49E, A49E, 409E, A409E

E.T.B. 27-10-38.

Circuit Diagram of Models 409E, A409E, 49E and A49E