

Service Data for the Healing Receiver

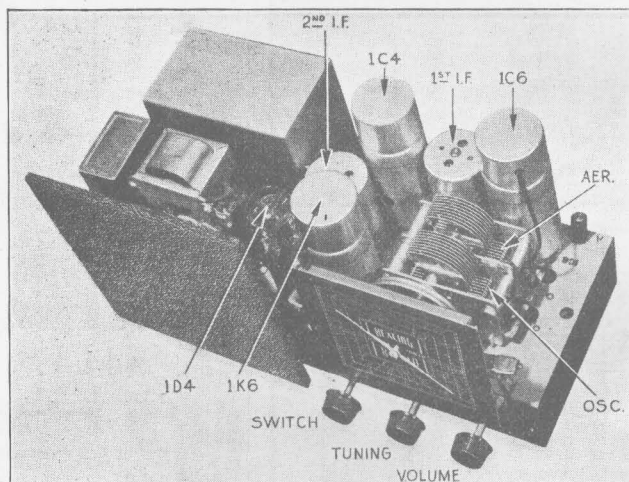
MODEL 408A

A SUPERHETERODYNE WITH A.V.C.

Power Supply
6 Volt
Accumulator
and Vibrator

++

Dial Lamps
6 Volt · 1 amp.



Frequency
Range
1500-550 K.C.

++

Intermediate
Frequency
455 K.C.

TYPICAL VALVE VOLTAGES:—

		1,000 ohms. per volt D.C. Meter Scales			
		10 V.	250 V.	250 V.	250 V.
Valve	Use	Filament	Screen	Plate	Osc. Plates
1C6	Osc. Mod.	2	50	145	55
1C4	IF A.V.C. Det.	2	50	145	
1K6	1st A.F.	2	—	60	
1D4	2nd A.F.	2	145	135	

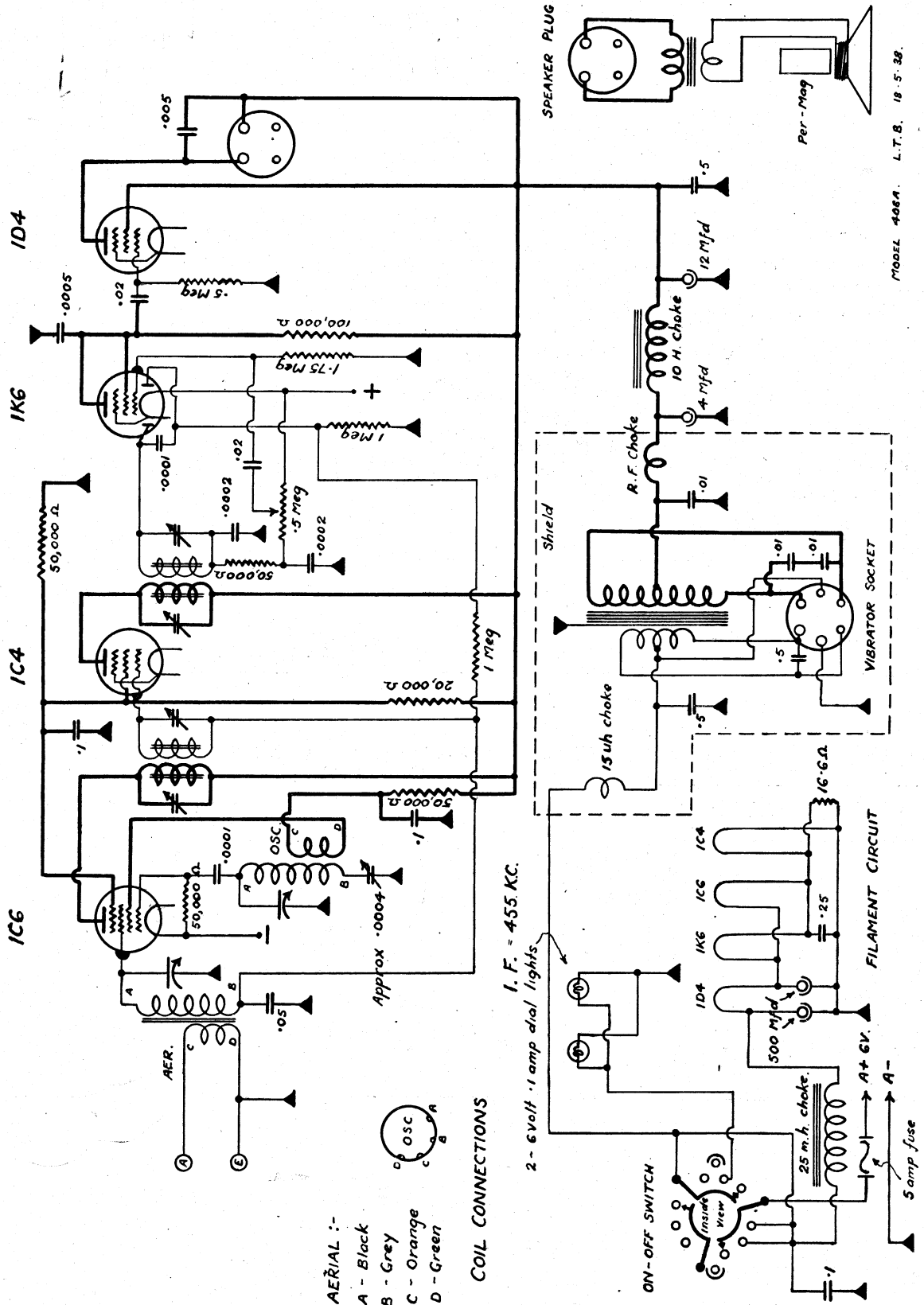
Battery consumption—1 amp. without dial lights.

Voltage measurements taken with aerial disconnected, and no signal input.

See page 117 for outline of alignment procedure.

HEALING

Service Data for the Healing Receiver Model 408A



Circuit Diagram of Model 408A