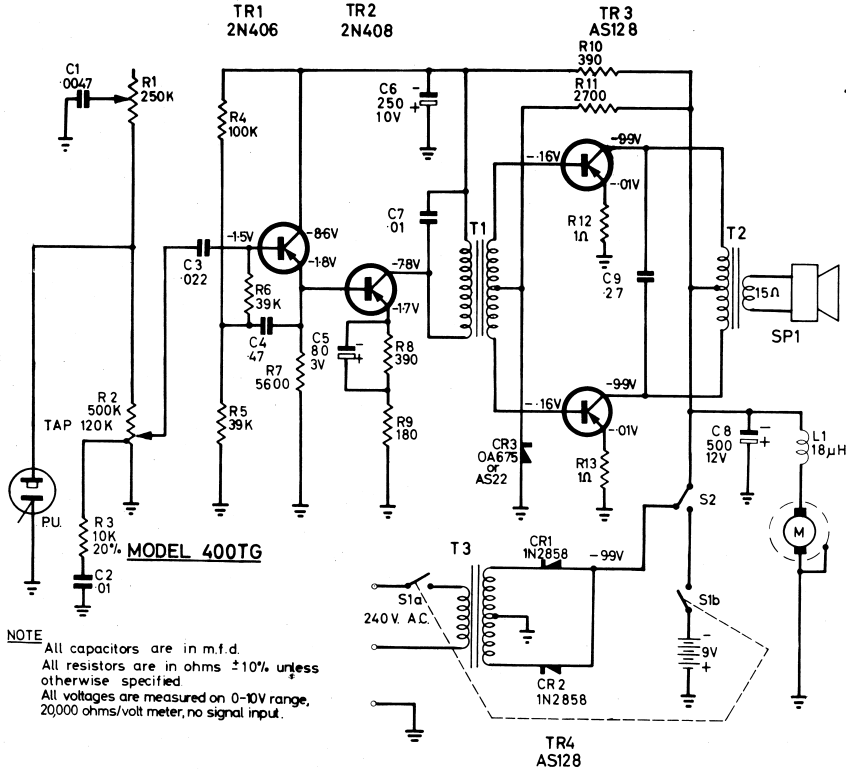
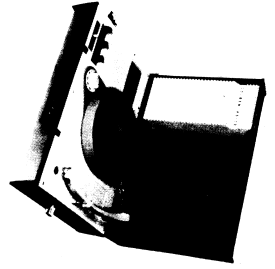


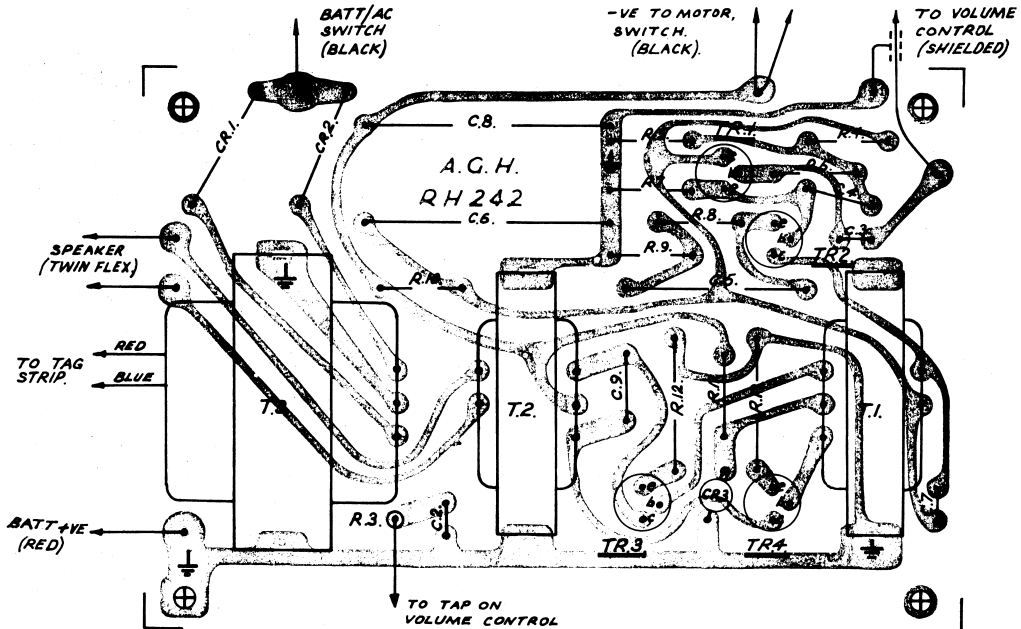
# HEALING

## MODEL 400TG



Power Supply: Mains operation: 230-250 volts AC 50 c.p.s.  
 Battery operation: 9 volts (6 Eveready cells type 1050)  
 Power Consumption: Mains operation: 3 watts  
 Amplifier: 16 m.a. no signal  
 Current drawn by motor: 45 m.a.

\* Values of R8 and R9 are reversed.  
 R8 is 180 ohms, R9 is 390 ohms.



**NOTE** Viewed from soldered side of board.