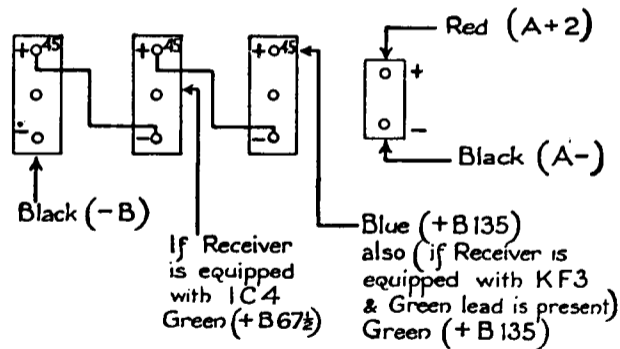


## Alterations to Briton Models 3 and 4

Early serial numbers of Briton model "3" are fitted with solenoid type tuning coils. In later models pie-wound coils were used and a "Sirufer" permeability-trimmed aerial coil was included.

A further feature will be found in the later serial numbers of this model in the form of inverse feed-back. This is obtained by connecting a 2 megohm resistor and a 0.00025 mfd. mica condenser (in series) between the plate and grid of the output pentode. This system also was applied to model "4."

## Diagram of Battery Connections. Models 5, 6, 7.



Briton Electrical & Radio Pty. Ltd.  
152-156 Parramatta Rd.  
Petersham.

