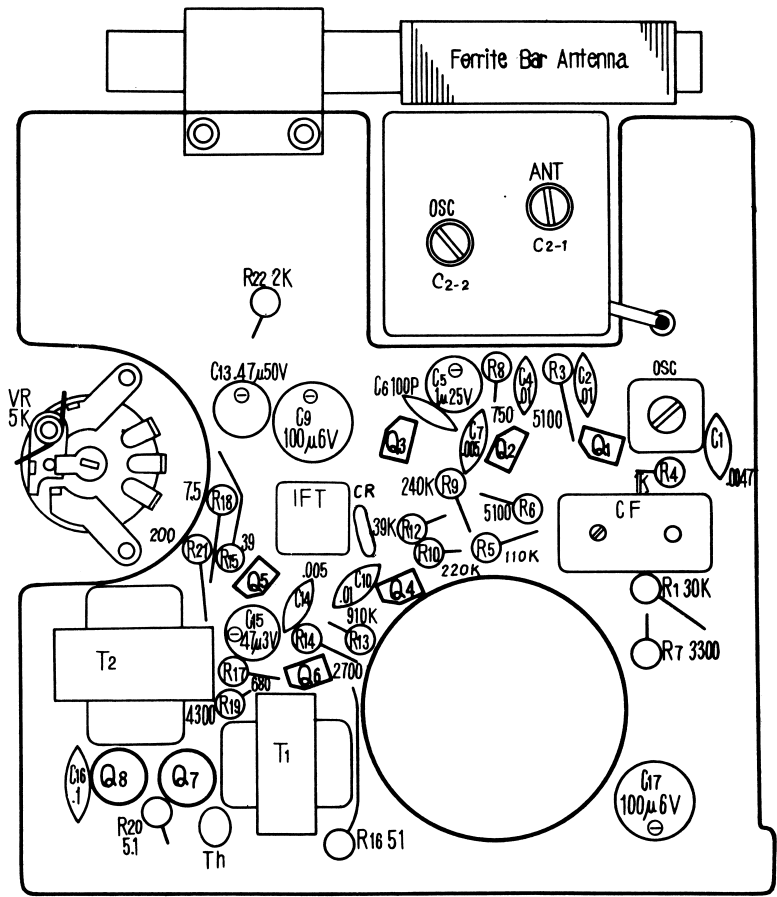
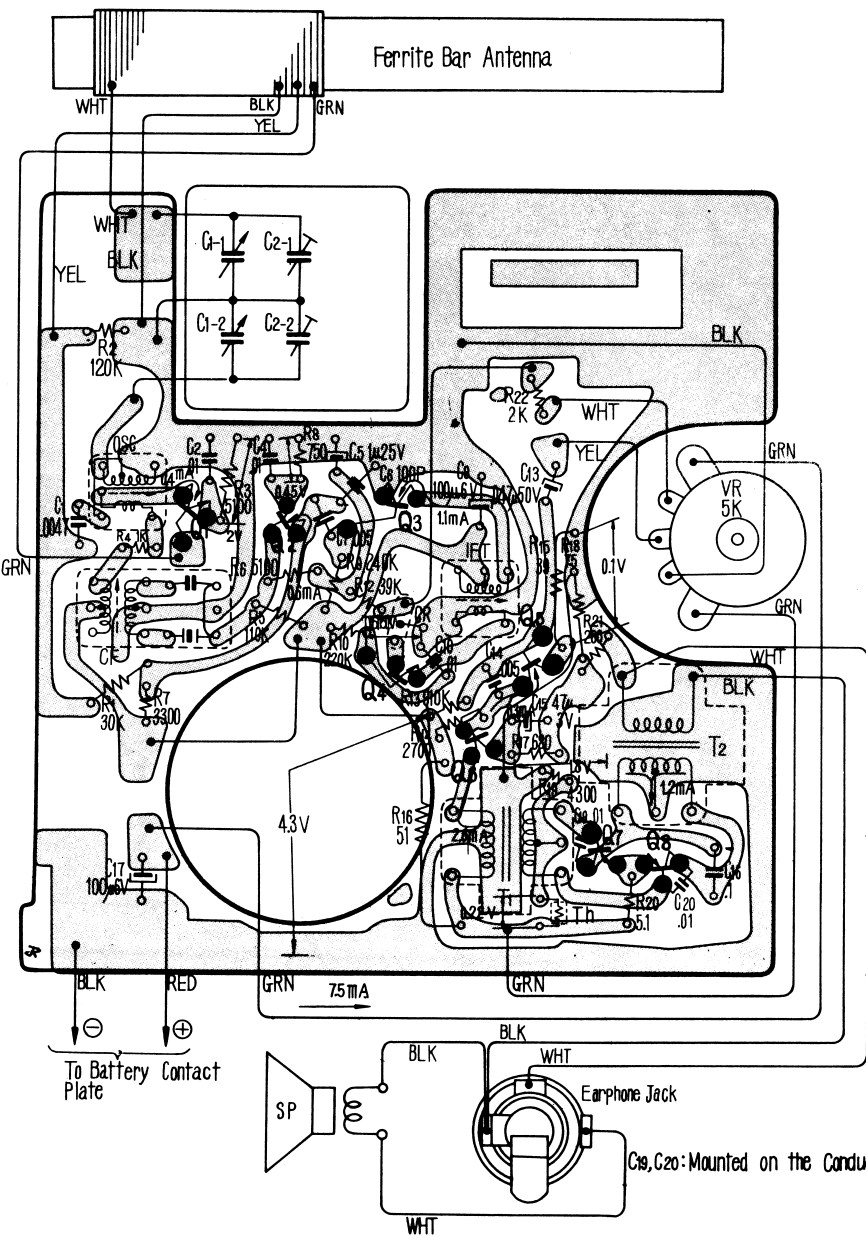


Mounting Diagram

— Conductor Side —

— Component Side —



C9, C20: Mounted on the Conductor Side

Frequency Coverage and Tracking Adjustment

Adj. Item	SSG (Standard Signal Generator) Coupling	SSG Freq.	Receiver Dial Setting	Connect VTVM	Adjust	Remarks
Frequency Coverage	Loop Antenna	520 Kc (1,000 c/s, 30% AM)	Fully Downward	To Earphone Jack with 8 Ω load Resistor in parallel.	OSC Coil	Adjust for maximum meter reading. Volume Control: Max. Power Supply: DC 4.5V
		1,680 Kc (")	Fully Upward		OSC Trimmer (C ₂₋₂)	
Tracking	—ditto—	620 Kc (")	Tune to 620 Kc Signal	—ditto—	ANT Coil	—ditto—
		1,400 Kc (")	Tune to 1,400Kc Signal		ANT Trimmer (C ₂₋₁)	

Schematic Diagram

Q1 2SC403A

Q2 2SC403A

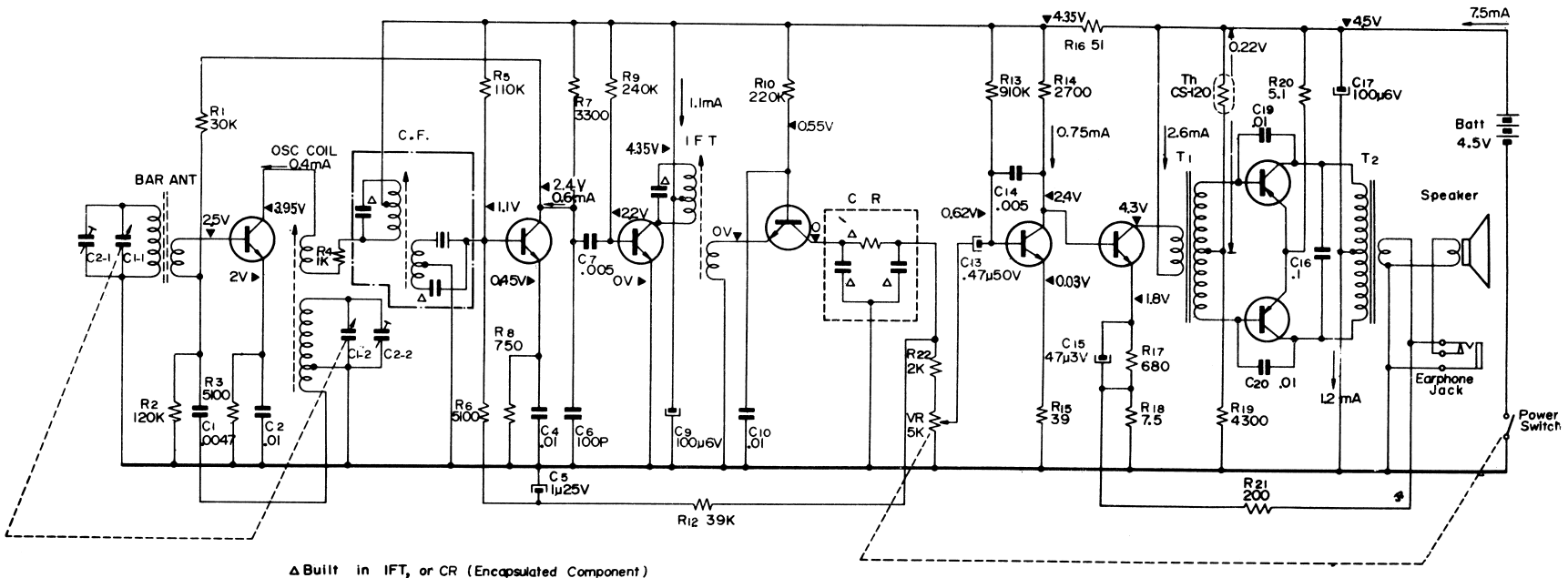
Q3 2SC403A

Q4 2SC403A

Q5 2SC633

Q6 2SC633

Q7,8 2SBI36





Specifications

- Circuit:** 8 Transistor Superheterodyne
- Frequency Coverage:** 530~1,605 Kc (566~187 m)
- Antenna System:** Built-in Ferrite Bar Antenna
- Intermediate Frequency:** 455 Kc
- Maximum Sensitivity:** 100 μ V/m
(at 10 mW Output)
- Selectivity:** 24 dB at 10 Kc off resonance, at 1,400 Kc
- Power Output:** 160 mW (undistorted)
260 mW (maximum)
- Current Drain:** 7.5 mA at zero signal, 80 mA at 160 mW Output
- Speaker:** 2" \times 2 3/4" (5 \times 7.2 cm) Track Type PM dynamic, 8 Ω
- Power Source:** Three size "AA" Penlight Batteries, 4.5 V in total
- Dimensions:** 2 5/8" (W) \times 4 3/8" (H) \times 1 3/8" (D)
(74 \times 118 \times 35.5 mm)
- Weight:** 9.2 oz. (260 gs)

