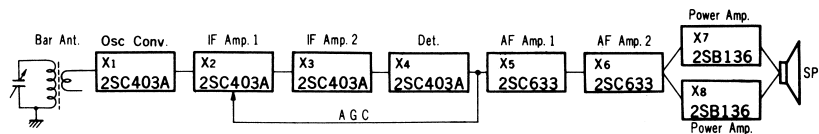


Block Diagram



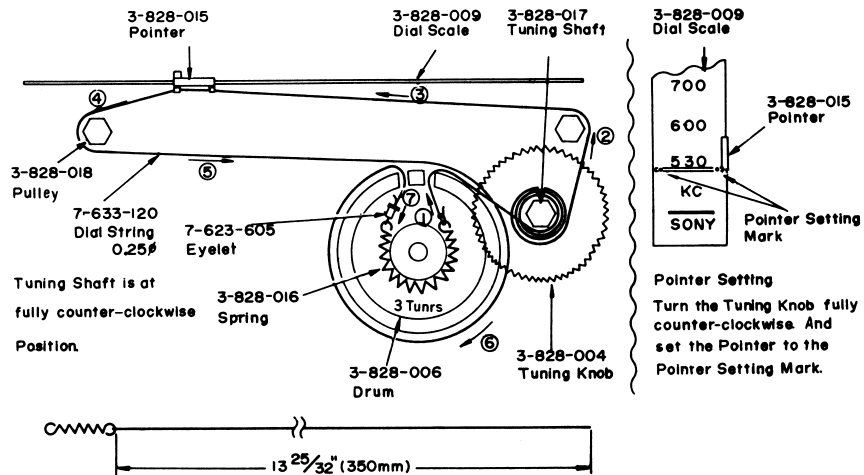
Frequency Coverage and Tracking Adjustment

Adj. Item	SSG (Standard Signal Generator) Coupling	SSG Freq.	Receiver Dial Setting	Connect VTVM	Adjust	Remarks
Frequency Coverage	Loop Antenna	525 Kc (1,000 c/s, 30% AM)	Fully Downward	To Earphone Jack with 8Ω load resistor in parallel.	Osc Coil (L _s)	Adjust for maximum meter reading. Volume: Max. Power Supply: DC 9V
		1,680 Kc (")	Fully Upward		Osc Trimmer (C _s)	
Tracking	—ditto—	620 Kc (")	Tune to 620 Kc Signal	—ditto—	ANT Coil (L _s)	—ditto—
		1,400 Kc (")	Tune to 1,400Kc Signal		ANT Trimmer (C _s)	

Specifications

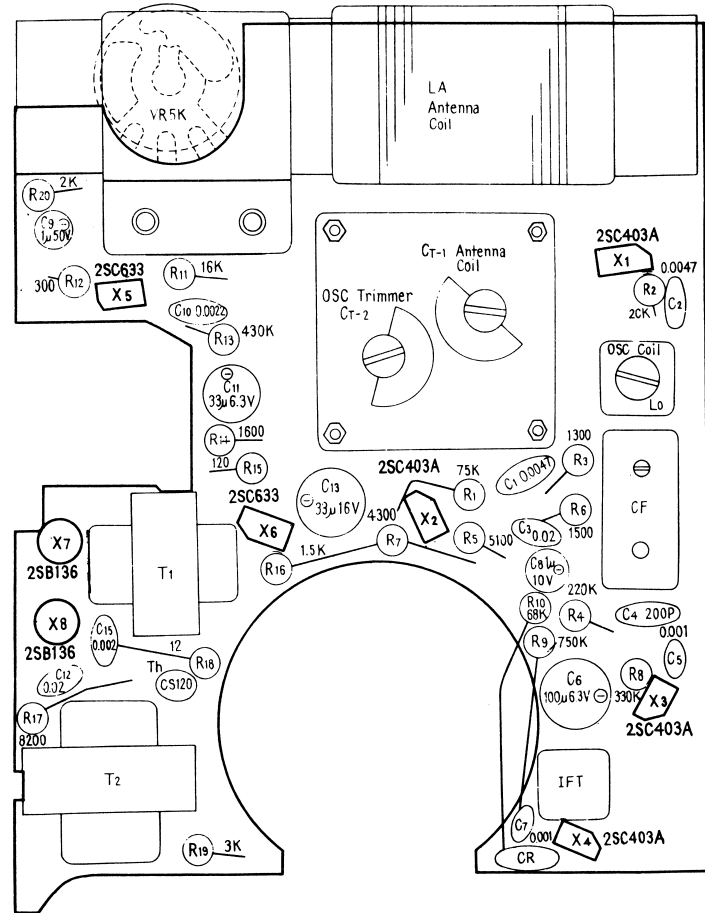
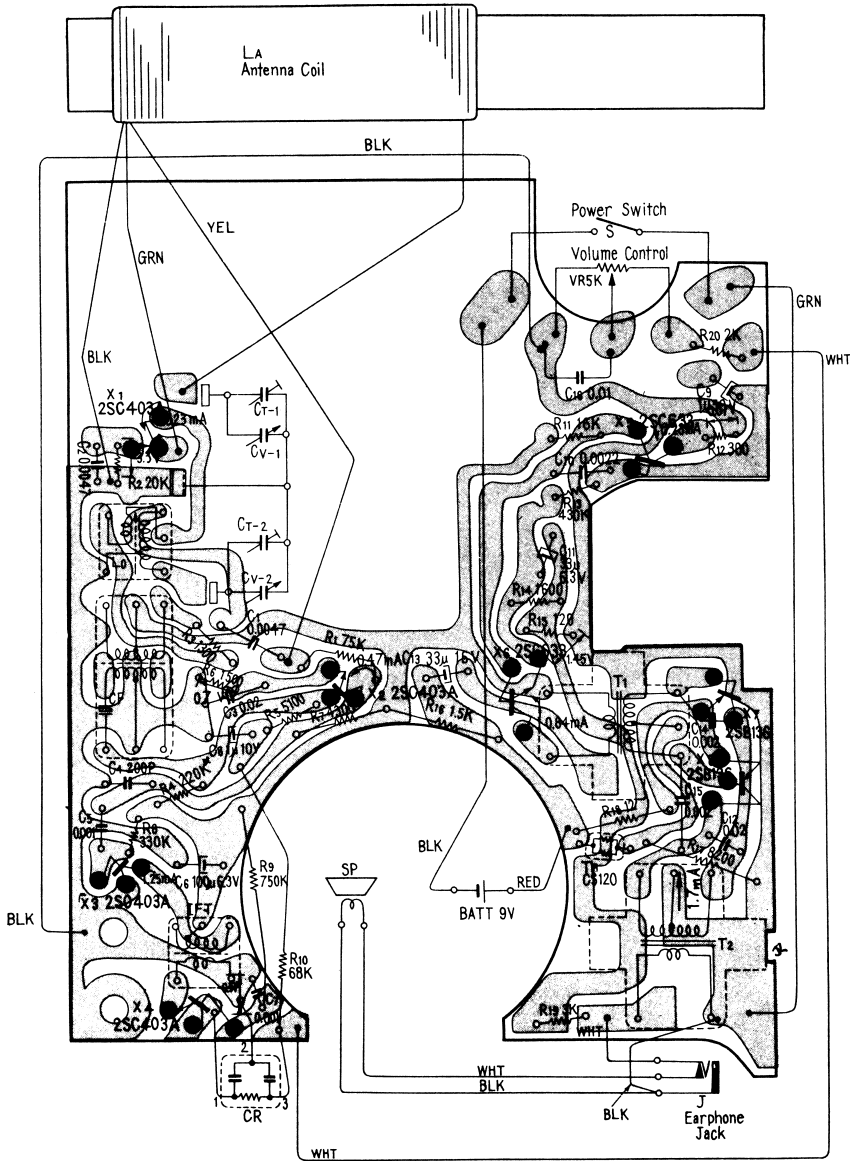
- Circuit:** 8-Transistors, Superheterodyne
- Frequency Coverage:** 530~1,605Kc (566~187m)
- Intermediate Frequency:** 455Kc
- Antenna System:** Built-in Ferrite Bar Antenna
- Maximum Sensitivity:** 160μV/m (at 10mW output)
- Selectivity:** 22dB at 10Kc off resonance, at 1,400Kc
- Power Output:** 130mW (undistorted)
210mW (maximum)
- Current Drain:** 5.4 mA at zero signal
35 mA at 130mW output
- Speaker:** 2 1/4" (57mm) PM Dynamic, 8Ω
- Power Source:** One 006P Battery 9V
- Dimensions:** 2 1/2" (W) × 4 1/16" (H) × 1 1/8" (D)"
(64 × 103 × 28mm)
- Weight:** 7 oz. (200 gs.) with Battery

Dial Cord Stringing



— Conductor Side —

— Component Side —



CR: Encapsulated Component

C16: Mounted on the Conductor side
 CR: Encapsulated Component

