

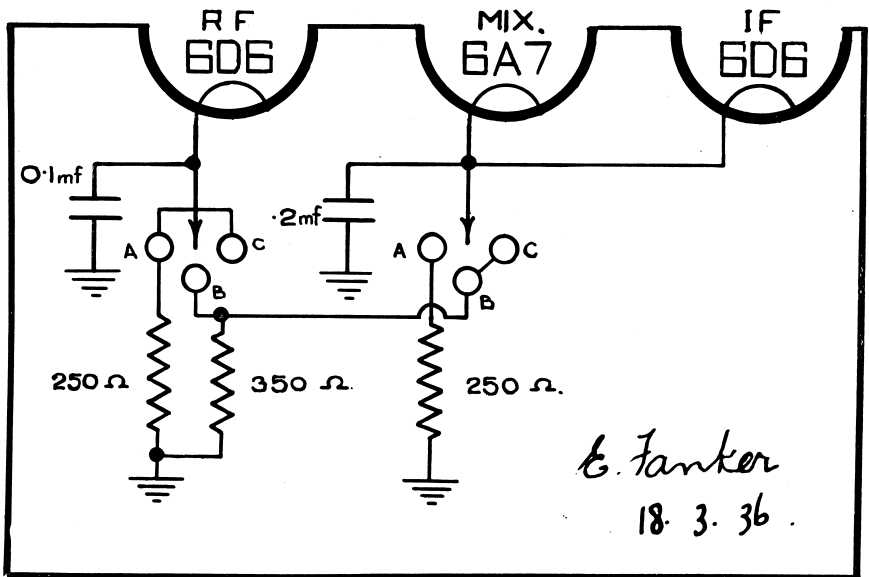
# Tasma

## SERVICE DATA.

### MODIFICATIONS

#### Model 325.

Drawing No. 157 has been modified in accordance with circuit as under.



#### Model 335.

Drawing No. 161 to show addition of condenser 0.00025 mfd. connected from plate to earth on type 19 output valve. This component is located on speaker socket.

#### Model 350.

##### Drawing No. 171 Modifications.

Component No. 20 altered to 350 ohms.

Component No. 18 altered to 0.5 mfd.