

SERVICE DATA.

COMPONENT PARTS.

CONDENSERS. (PRICES QUOTED ARE STRICTLY NETT AND SUBJECT TO CHANGE WITHOUT NOTICE.)

No. on Diagram.	Value.	Code No.	Price.	No. on Diagram.	Value.	Code No.	Price.
C1	2.5 to 30 uuF.	54/313	8d.	C12	0.1 uF.	52/316	6d.
C2, C3	Tuning Gang	53/321	9/11	C13, C14	Part of 2nd I.F.	—	✓
C4	2.5 to 30 uuF.	54/313	8d.	C15	250 uuF.	52/615	8d.
C5	330 uuF.	52/243	7d.	C16	24 uF.	52/435	3/6
C6	80 uuF.	52/239	6d.	C17	250 uuF.	52/615	8d.
C7	2.5 to 30 uuF.	54/313	8d.	C18	0.01 uF.	52/338	4d.
C8	0.01 uF.	52/338	4d.	C19	100 uuF.	52/811	6d.
C9, C10	Part of 1st I.F.	—	✓	C20	0.01 uF.	52/338	4d.
C11	0.1 uF.	52/316	6d.	C21	0.006 uF.	52/341	8d.

RESISTORS.

No. on Diagram.	Value.	Code No.	Price.	No. on Diagram.	Value.	Code No.	Price.
R1	0.2 megohm	62/239	4d.	R6	3 megohm	62/241	5d.
R2	0.05 megohm	62/212	4d.	R7	1 megohm	62/418	5d.
R3	3 megohm	62/241	5d.	R8	1,000 ohm	62/234	4d. ✓
R4	0.05 megohm	62/212	4d.	R9	2 megohm	62/222	4d.
R5	0.5 megohm pot. with switch	63/611	5/-				

COILS.

No. on Diagram.	Description.	Code No.	Price.	No. on Diagram.	Description.	Code No.	Price.
L1	Aerial Coil	43/214	5/3 ✓	L6, L7	2nd Intermediate	42/425	6/- ✓
L2, L3	Oscillator Coil	42/231	3/9 ✓	L8, L9	Speaker Output Transformer	44/328	7/-
L4, L5	1st Intermediate	42/327	6/- ✓	—	Loudspeaker complete	45/339	23/- ✓

IMPORTANT: In ordering spare parts quote **CODE NUMBER ONLY**. If claiming free replacement under **GUARANTEE**, return defective parts promptly and quote **TYPE** and **SERIAL NUMBER** of **RADIOPLAYER**. Prices quoted are strictly nett and are subject to alteration without notice.

PHILIPS RADIOPLAYER MODEL 3343

PORTABLE RECEIVER FOR BROADCAST RECEPTION.

SPECIFICATIONS.

(Subject to Alteration Without Notice.)

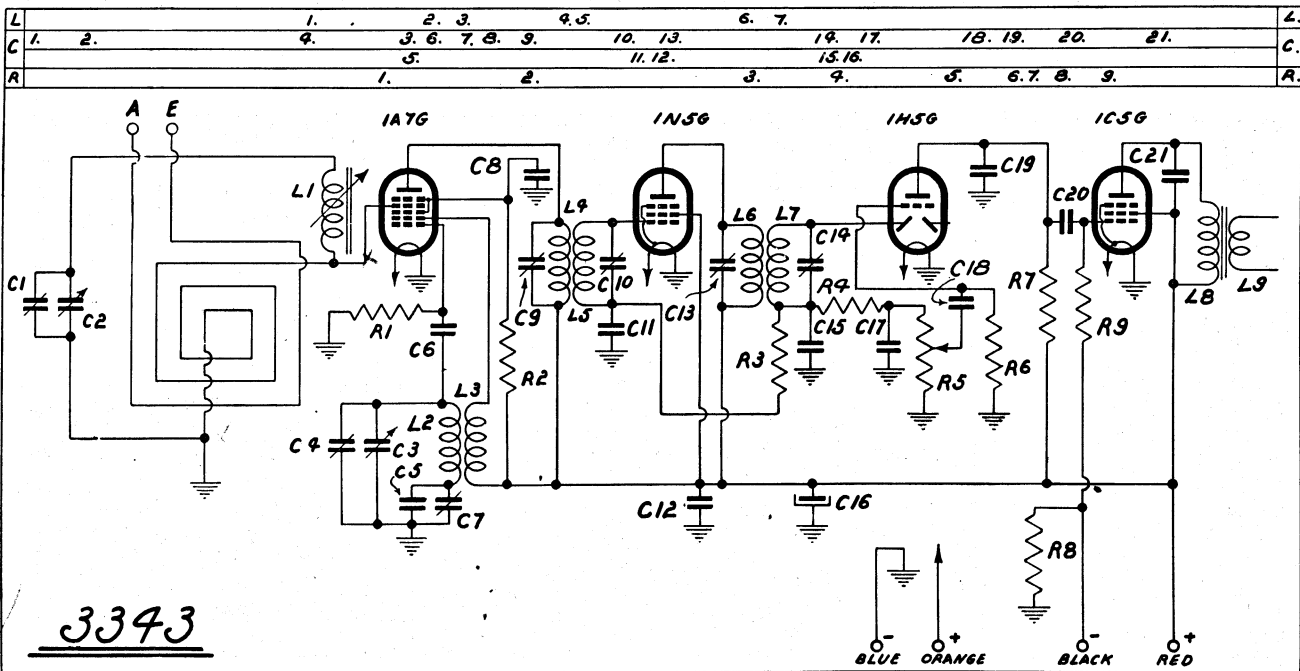
Tuning Range 1500 to 550 Kc/s.
Intermediate Frequency 472.5 Kc/s.

BATTERY EQUIPMENT.

1—Type PR 1.5 Battery. 2—Type PR45 Batteries

VALVE EQUIPMENT.

Frequency Converter 1A7G Pentagrid
I.F. Amplifier 1N5G Penthode
Demodulator and Audio ✓1H5G D.D. Triode
Power Amplifier ✓1C5G Penthode.



COMPONENTS NOT SHOWN ON CIRCUIT DIAGRAM.

Description.	Code No.	Price.	Description.	Code No.	Price.
Badge, Philips emblem, chromium	24/811	3/-	Pointer, dial	24/818	2/-
Cabinet, No. 33	33/673	39/-	Scale, dial, printed	33/567	2/9
Convex, celluloid	33/218	2/-	Shield, valve	24/689	6d.
Cord, dial drive	35/318	5d.	Socket, valve, octal	34/546	4d.
Drum, dial drive	24/933	2/-	Speaker, complete with transformer	45/339	23/-
Grille, speaker opening cover	35/233	2/3	Spindle, volume control	24/932	6d.
Knob, tuning	32/264	6d.	Transformer, speaker output	44/328	7/-

PHILIPS RADIOPLAYER MODEL 3343

PORTABLE RECEIVER FOR BROADCAST RECEPTION.

SPECIFICATIONS.

(Subject to Alteration Without Notice.)

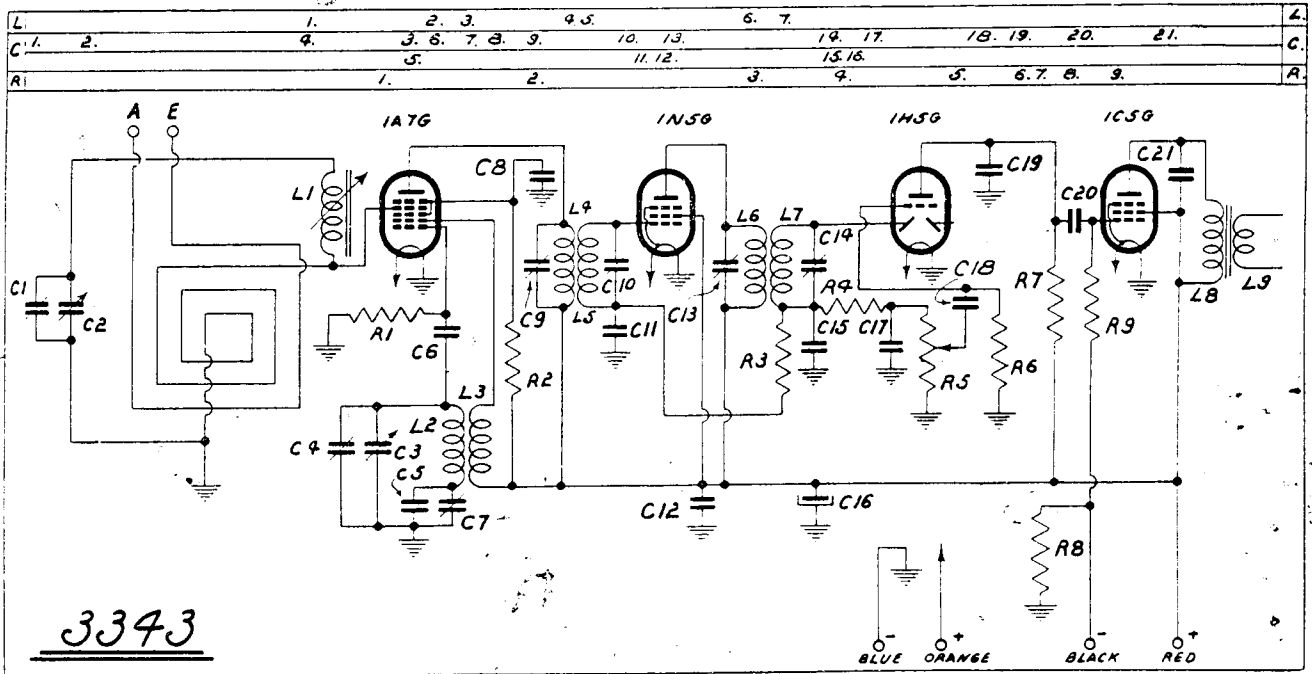
Tuning Range 1500 to 550 Kc/s.
Intermediate Frequency 472.5 Kc/s.

BATTERY EQUIPMENT.

1—Type PR 1.5 Battery. 2—Type PR45 Batteries

VALVE EQUIPMENT.

Frequency Converter 1A7G Pentagrid
I.F. Amplifier 1N5G Penthode
Demodulator and Audio 1H5G D.D. Triode
Power Amplifier 1C5G Penthode.



COMPONENTS NOT SHOWN ON CIRCUIT DIAGRAM.

Description.	Code No.	Price.	Description.	Code No.	Price.
Badge, Philips emblem, chromium	24/811	3/-	Pointer, dial	24/818	2/-
Cabinet, No. 33	33/673	39/-	Scale, dial, printed	33/567	2/9
Convex, celluloid	33/218	2/-	Shield, valve	24/689	6d.
Cord, dial drive	35/318	5d.	Socket, valve, octal	34/546	4d.
Drum, dial drive	24/933	2/-	Speaker, complete with transformer	45/339	23/-
Grille, speaker opening cover	35/233	2/3	Spindle, volume control	24/932	6d.
Knob, tuning	32/264	6d.	Transformer, speaker output	44/328	7/-

PRICES QUOTED ARE STRICTLY NETT AND ARE SUBJECT TO CHANGE WITHOUT NOTICE.