

Service Data for the Healing Receiver

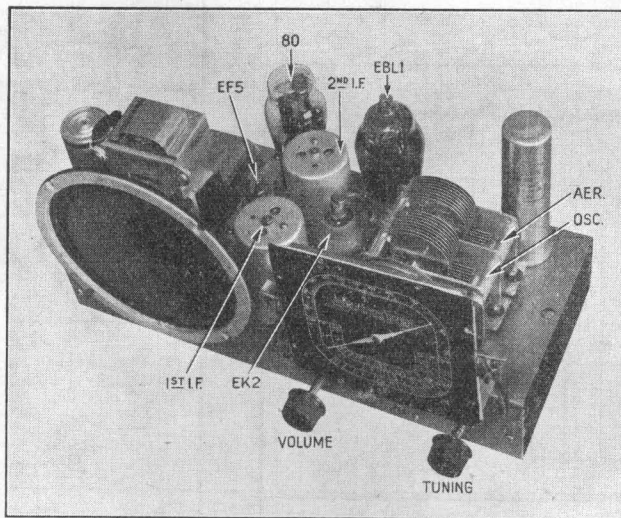
MODEL 308E

A SUPER-HETERODYNE.

Power Supply
200-250 Volts
A.C.
50 Cycles

Speaker Field
2500 ohms.

Dial Lamps
6 Volt-.5 amp.



Frequency
Range
1500-550 K.C.

Intermediate
Frequency
455 K.C.

TYPICAL VALVE VOLTAGES (measured to Chassis).

| | | 1,000 ohms. per volt D.C. Meter Scales | | | | | |
|-------|-----------|--|-----------|------------|------------|------------|--------------|
| | | A.C. | 50 V. | 250 V. | 250 V. | 250 V. | |
| Valve | Use | Filament | Cathode | Screen | Plate | Osc. Plate | Vol. Control |
| EK2 | Osc. Mod. | 6.2 | 2.5 10 | 63 73 | 225 240 | 120 115 | On Off |
| EF5 | I.F. | 6.2 | 2.5 10 | 63 73 | 225 240 | | On Off |
| EBL1 | Det. A.F. | 6.2 | 5.5 | 225 240 | 205 215 | | On Off |
| 80 | Rectifier | 4.9 | | | | | |

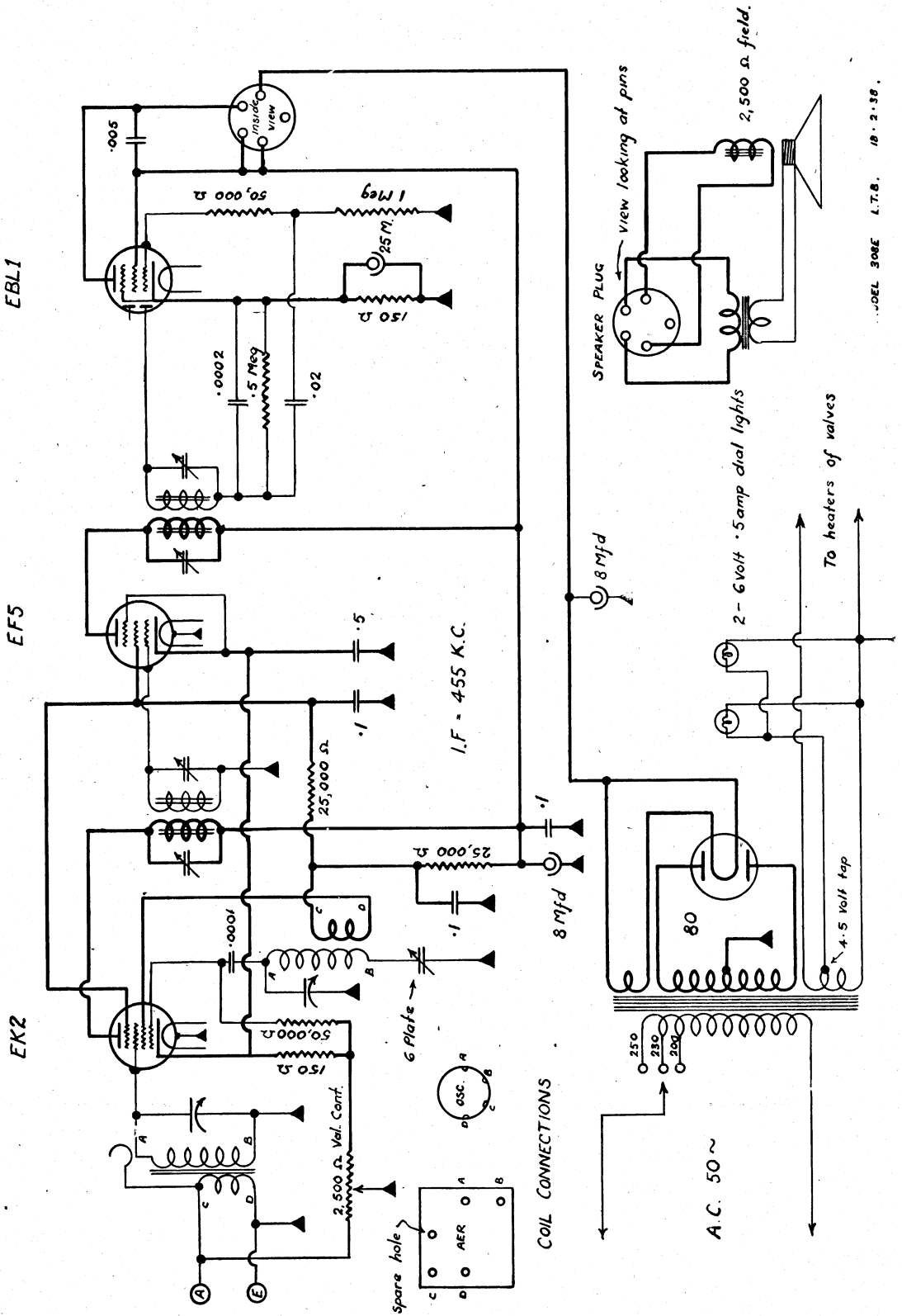
Speaker Field Voltage Drop—140 Volts. (V.C. on)

Voltage measurements taken with aerial disconnected, and no signal input.

See page 117 for outline of alignment procedure.

HEALING

Service Data for the Healing Receiver Model 308E



MODEL 308E 4.T.B. 10-2-38

Circuit Diagram of Model 308E.