

PHILIPS RADIOPLAYER MODEL 3053

(AND A.C. UNIT 311)

BATTERY OR A.C. UNIT OPERATED PORTABLE
for Broadcast and World-wide Reception

SPECIFICATIONS

(Subject to alteration without notice)

Tuning Ranges 550-1600 Kc/s., 6-18Mc/s
Intermediate Frequency 455 Kc/s.

BATTERY EQUIPMENT

1—Type PR 1.5 Battery 2—Type PR45 Batteries

A.C. OPERATION

Use Philips Unit Type 311

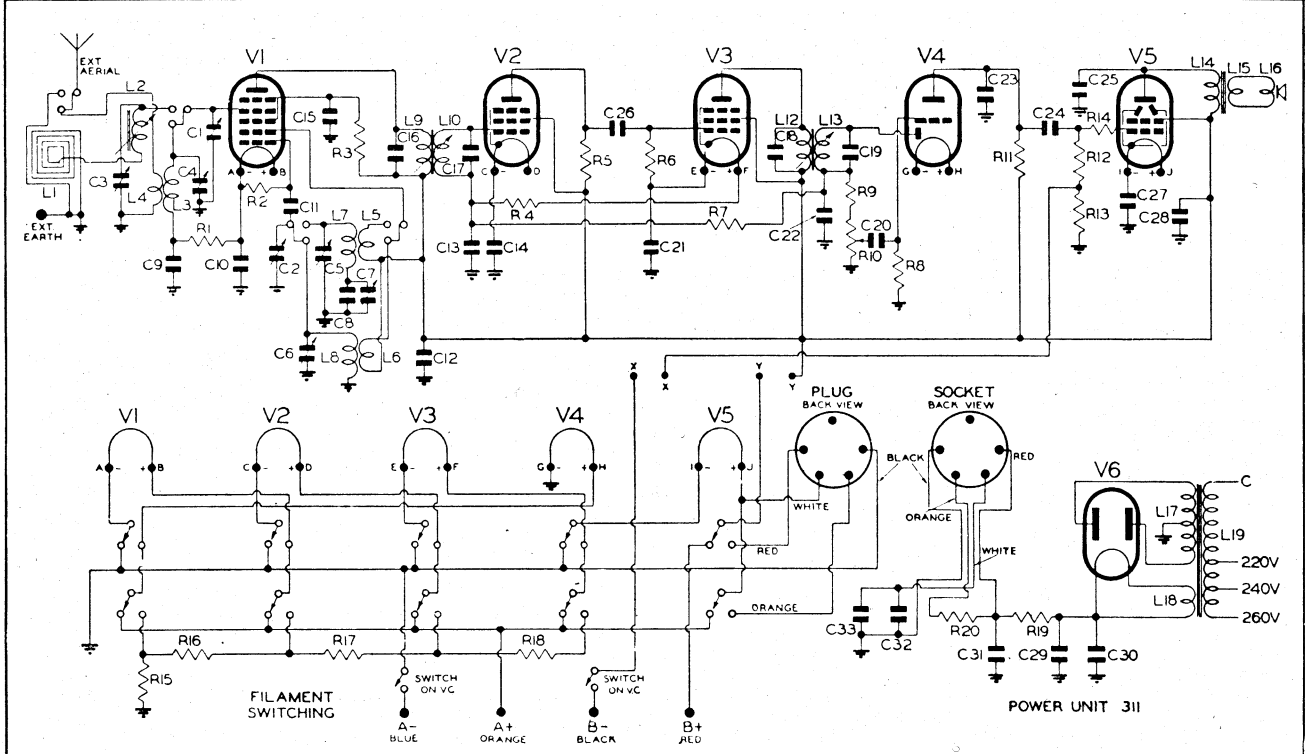
VALVE EQUIPMENT

Frequency Converter 1A7GT Pentagrid (V1)
I.F. Amplifiers 1N5GT Pentodes (V2 & 3)
Demodulator and Audio 1H5GT D.D. Triode (V4)
Power Amplifier 1Q5GT Penthode (V5)

UNIT 311

5Y3G Rectifier (V6)

L	1.	2. 4. 3.	7. 8. 5. 6.	9. 10.	12. 13.	17. 18. 19. 14. 15.	16.
C	3.	9.	10. 1.	2. 6. 8.	16. 12.	14.	26.
R	15. 16. 1.	2.	17. 3.	4. 18. 5.	6. 7.	9. 10. 8.	20. 11. 19. 12. 13. 14.
V	1.	2.	3.	4.	6. 5.		



SERVICE DATA.

COMPONENT PARTS

CONDENSERS. (PRICES QUOTED ARE STRICTLY NETT AND SUBJECT TO CHANGE WITHOUT NOTICE.)

No. on Diagram	Value	Code No.	Price	No. on Diagram	Value	Code No.	Price
C1/2	Tuning Gang	53/328	9/11	C18/19	80 uuF included in 2nd I.F.	52/239	6d.
C3/7	2.5 to 30 uuF	54/313	8d.	C20	.01 uF	52/311	4d.
C8	470 uuF \pm 7%	52/275	7d.	C21	.1 uF	52/317	11d.
C9	.004 uF	52/221	11d.	C22/23	250 uuF	52/214	8d.
C10	.1 uF	52/316	6d.	C24	.01 uF	52/311	4d.
C11	80 uuF	52/239	6d.	C25	.004 uF	52/324	7d.
C12	.25 uF	52/319	11d.	C26	250 uuF	52/214	8d.
C13	.05 uF	52/315	11d.	C27	10 uF	52/446	1/3
C14	.5 uF	52/322	1/4	C28	24 uF	52/442	3/6
C15	.1 uF	52/317	11d.	C29/31	24 uF	52/447	4/-
C16/17	80 uuF included in 1st I.F.	52/239	6d.	C32/33	500 uF	52/431	4/-

RESISTORS

No. on Diagram	Value	Code No.	Price	No. on Diagram	Value	Code No.	Price
R1	1 megohm	62/317	5d.	R10	0.5 megohm pot. with switch	63/611	5/9
R2	0.2 megohm	62/340	5d.	R11	1 megohm	62/317	5d.
R3	0.06 megohm	62/349	5d.	R12	2 megohm	62/329	5d.
R4	3 megohm	62/339	5/1.	R13	500 ohm	62/316	5d.
R5	0.025 megohm	62/321	5d.	R14	1000 ohm	62/315	5d.
R6	0.1 megohm	62/313	5d.	R15/18	22 ohm	62/351	5d.
R7/8	3 megohm	62/339	5d.	R19	500 ohm	62/432	6d.
R9	0.05 megohm	62/312	5d.	R20	1500 ohm tapped	64/265	4/-

COILS

No. on Diagram	Description	Code No.	Price	No. on Diagram	Description	Code No.	Price
L1	Loop in cabinet			L9, L10	1st Intermediate	42/334	6/-
L2	Loading Coil	43/215	4/-	L12, L13	2nd Intermediate	42/425	6/-
L3, L4	S.W. Aerial Coil	42/739	2/6	L14/16	Loudspeaker, complete	45/363	23/6
L5, L7	B.C. Osc. Coil	42/252	3/-	L17/19	Power Transformer	44/251	13/-
L6, L8	S.W. Osc. Coil	42/249	2/6	L14, L15	Speaker Transformer	44/328	7/-

COMPONENTS NOT SHOWN ON CIRCUIT DIAGRAM

Description	Code No.	Price	Description	Code No.	Price
Cabinet, complete, No. 30	34/150	58/-	Shield, valve	25/527	6d.
Clamp, condenser	34/493	3d.	Shield, valve, earth clips	25/526	2d.
Clips, grid	24/629	1d.	Socket, plug type, Amphenol	34/947	1/3
Convex, celluloid	33/244	2/-	Socket, valve, octal, wafer	34/546	4d.
Cord, dial drive	35/327	4d.	Spindle, volume control	24/958	6d.
Drum, dial drive	25/521	2/-	Strip, trimmer	33/421	8d.
Knob, control	32/218	5d.	Switch, battery to A.C.	74/237	7/6
Knob, pointer	32/534	6d.	Switch, wave change	74/238	4/-
Plug, 5 pin Amphenol	34/943	9d.	Terminal, black	34/564	6d.
Pointer, dial	24/818	2/-	Terminal, red	34/596	6d.
Scale, dial, printed	34/517	3/-			

IMPORTANT: In ordering spare parts quote **CODE NUMBER ONLY**. If claiming free replacement under **GUARANTEE**, return defective parts **PROMPTLY** and quote **TYPE** and **SERIAL NUMBER** of **RADIOPLAYER**.