

# Service Data for the Healing Receiver

## MODEL 300E

Power Supply—200-250 volts A.C., 50 cycles.

Frequency Range—550-1,600 kilocycles.

Speaker Field—2,000 ohms.

Speaker Transformer Impedance—7,000 ohms.

Dial Light—6 volt .3 or .5 amp.

Typical Voltages (measured to chassis)—

Valve	Use	A.C. Filament	1,000 ohms per volt D.C. meter scales		
			50 V. Cathode	250 V. Screen	250 V. Plate
EBF2G . . . .	R.F.	5.9	1-VC full on	55-V.C. on	240
	Det.		20-V.C. off	130-V.C. off	
EL3NG . . . .	1st A.F.	5.9	6	240	225
80 . . . . .	2nd A.F.				
	Rectifier	4.8	—		

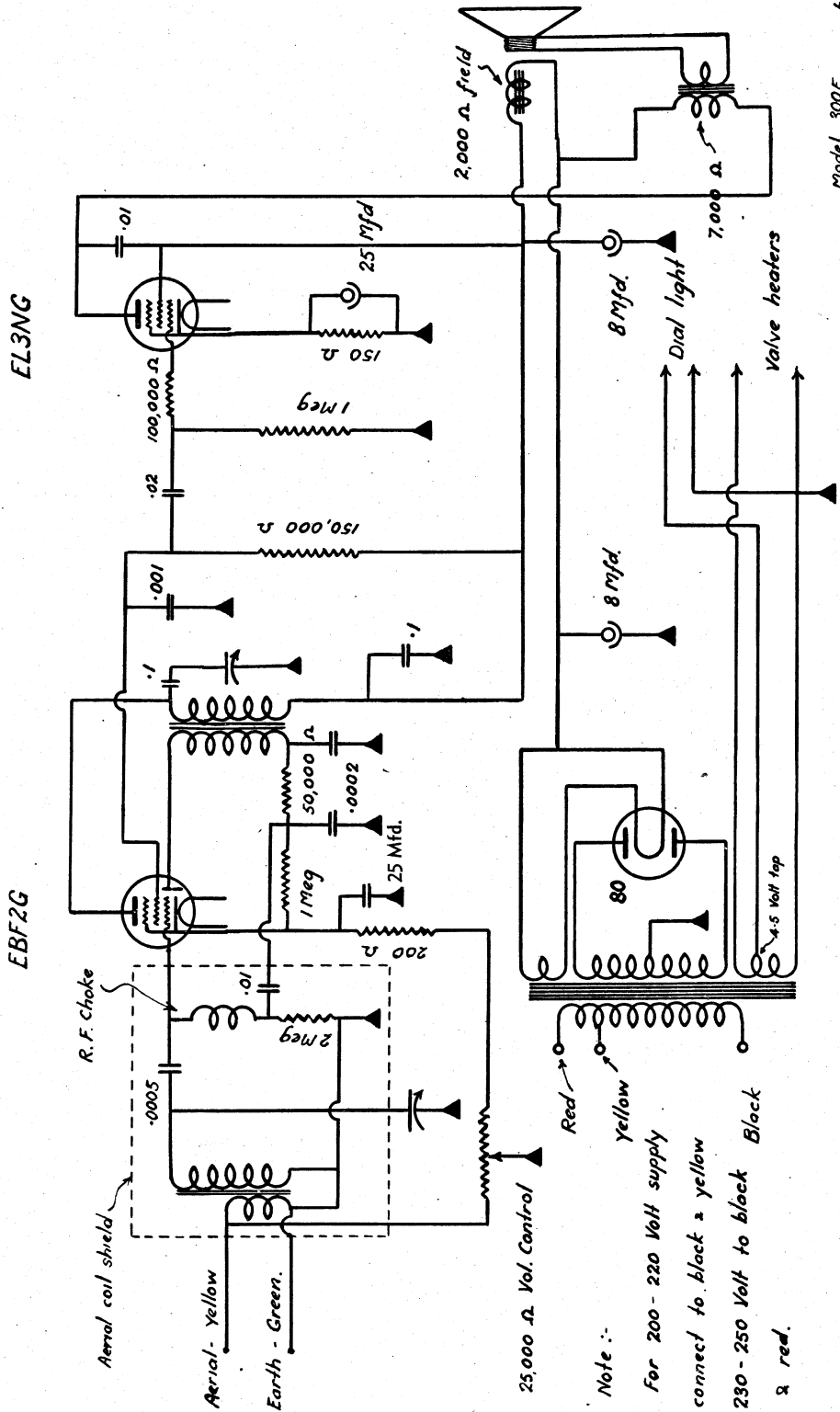
Voltage Across Speaker Field—80 volts.

Voltage measurements taken with aerial disconnected and no signal input. Volume control full on except where indicated.

**Dial Alignment**—The drum carrying the indicator line should never be adjusted unless absolutely essential. If this operation is necessary, the condenser gang plates should be fully meshed and the indicator line on the drum set to a horizontal position. No adjustment to coil inductance should be attempted, as these are correct on leaving the factory and will retain their adjustment indefinitely. The trimmers on the top of the gang may be adjusted to correct station readings at the high frequency end of the broadcast band, and an oscillator should be used to peak these tuned circuits.

# HEALING

Service Data for the Healing Receiver, Model 300E.



Model 300E. 478, 10-9-40

**Circuit Diagram of Model 300E**