

PHILIPS RADIOPLAYER MODEL 2752

A.C. OPERATED FOR WORLD-WIDE RECEPTION.

SPECIFICATIONS.

(Subject to Alteration Without Notice.)

| | |
|--------------------------------------|---------------------------------|
| Voltage Rating (Power Supply) | (Also special 110 volt Models.) |
| Tuning Range | 1610 to 540 Kc/s. |
| Intermediate Frequency | 8 to 22 Mc/s. |
| 220 to 260 volts A.C. | 472.5 Kc/s. |

VALVE EQUIPMENT.

| | |
|------------------------------|--|
| Frequency Converter | EK2G Octode |
| I.F. Amplifier | 6U7G R.F. Penthode |
| Demodulator and Audio | 6B6G D.D. Triode |
| Power Amplifier | 6V6G Beam Tetrode |
| Rectifier | 5Y3G Full Wave |
| Dial Lamp | Special type 8091D 6.3 v., 0.64A. |

VOLTAGE ADJUSTMENT.

The receiver may be adjusted to mains voltage of 220, 240, or 260 volts by means of taps located on the power transformer. Special receivers for 110 volt operation may be supplied on request.

REMOVING THE CHASSIS.

- (1) Remove power plug.
- (2) Unscrew knobs at front of cabinet.
- (3) Withdraw loudspeaker plug from chassis.
- (4) Remove dial glass and mechanism by withdrawing the four screws securing the dial bracket at either end of the dial. Care should be taken during this operation to see that when released, the dial glass is carefully laid aside to avoid risk of breakage. The remaining mechanism of the dial is now laid with care on top of the chassis, with due attention to the fact that the flexible cable should not be kinked.
- (5) Remove chassis mounting bolts.
- (6) The chassis may now be withdrawn.
- (7) Replacing the chassis may be accomplished by a reversal of the above-mentioned withdrawal procedure.

DIAL CALIBRATION.

If the pointer does not indicate the correct position for a given station, the position of the pointer in relation to the gang condenser may be adjusted by loosening the clamping screw on the pointer slider and moving the slotted wire tension guide in relation to the pointer slider.

After adjustment, tighten the clamping screw securely.

VOLTAGE ANALYSIS.

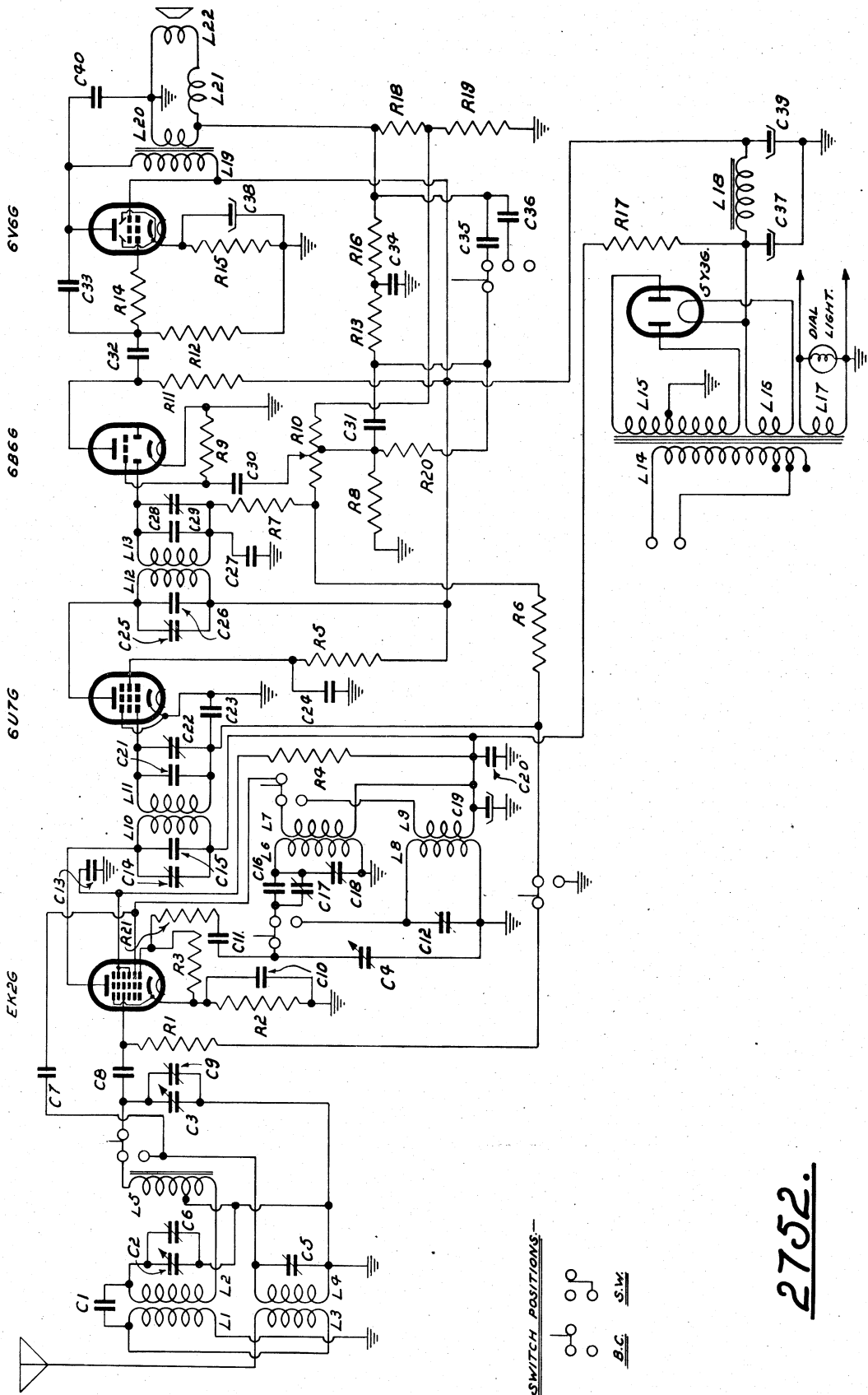
| Valve Type. | Plate Voltage. | Screen Voltage. | Bias Voltage. |
|-------------|---------------------------|-----------------|---------------|
| EK2G | 200 | 45 | 2 |
| 6U7G | 230 | 85 | 0 |
| 6B6G | 80 | — | 0 |
| 6V6G | 210 | 230 | 10 |
| 5Y3G | 320 volts A.C. per plate. | | |

NOTE:

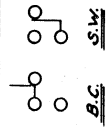
The abovementioned voltage values, with the exception of bias voltages, are measured between the socket points indicated and chassis with the receiver in the no signal condition and with the volume control at zero. Bias voltages are to be measured at the source of the voltage, as incorrect readings will otherwise be obtained. Voltages are measured with a 1,000 ohm per volt voltmeter and may vary as much as 10 per cent. from the figures quoted.

SERVICE DATA.

| | | | | | | | |
|---|------------|------|--------------------|----------------------------|----------------|---------------------|------------------------|
| L | 1, 2, 3, 4 | 5 | 6, 7, 8, 9, 10, 11 | 12, 13 | 14, 15, 16, 17 | 18, 19, 20, 21 | 22 |
| C | 1 | 2, 6 | 3, 7, 8 | 9, 11, 13, 14, 15, 16 | 24 | 25, 27, 28, 30, 31 | 32 |
| R | 5 | 9 | 10, 12 | 17, 18, 19, 20, 21, 22, 23 | 26 | 29 | 33, 34, 35, 36, 38 |
| | | | 1, 2, 3, 21 | 4 | 5, 6 | 7, 8, 20, 9, 10, 11 | 12, 13, 14, 15, 16, 17 |



SWITCH POSITIONS—



2752.

SERVICE DATA.

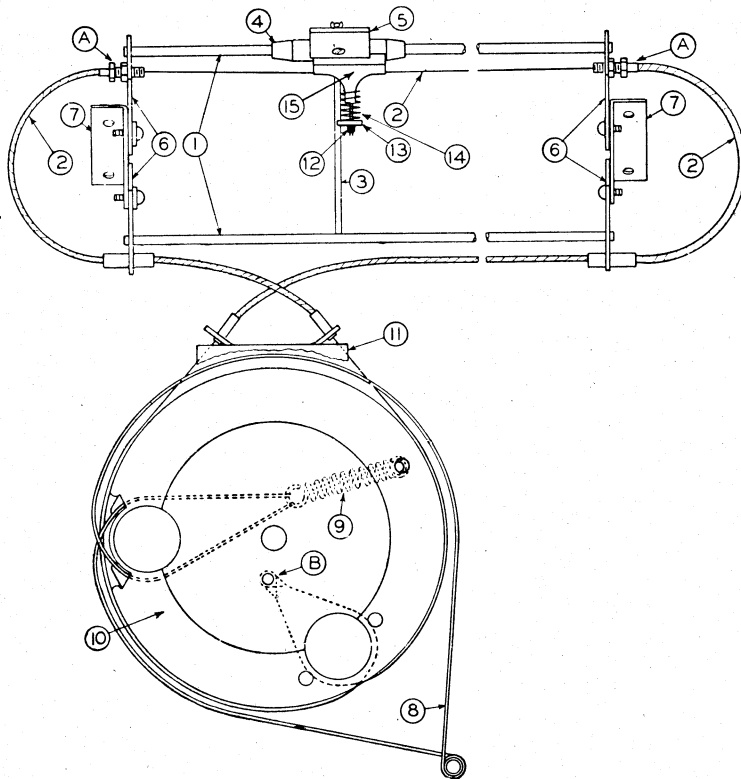
COMPONENTS NOT SHOWN ON CIRCUIT DIAGRAM

(SEE DIAL DIAGRAM.)

| No. on Dial Drawing. | Description. | Code No. | Price. | No. on Dial Drawing. | Description. | Code No. | Price. |
|----------------------|---|----------|---------|----------------------------------|-------------------------------------|----------|--------|
| — | Badge, Philips emblem | 24/447 | 1/- | — | Knob, tuning control | 32/229 | 7d. |
| — | Bands, rubber, dial glass | 33/316 | 3d. | — | Lamp, dial illuminating, red ... | 92/239 | 7d. |
| — | Base, valve shield | 24/665 | 3d. | — | Lamp, dial illuminating, green ... | 92/240 | 7d. |
| 7 | Bracket, dial mounting | 23/441 | 6d. | — | Locking ring, amphenol socket ... | 24/666 | 1d. |
| 11 | Bracket, gang, cable supporting ... | 23/443 | 1/6 | 3 | Pointer, glass | 33/524 | 6d. |
| 6 | Bracket, slide rod adjusting | 23/444 | 6d. | 1 | Rod, slider supporting | 24/252 | 1/6 |
| — | Bracket tuning spindle supporting ... | 24/442 | 6d. | — | Shield, valve | 24/663 | 7d. |
| — | Bush, chassis mounting | 24/218 | 2d. | — | Silk, baffle | 35/230 | 4/6 |
| — | Cabinet No. 27 | 33/663 | £5/15/- | — | Socket, 7 pin, small | 34/575 | 6d. |
| — | Card, knob indicating | 33/223 | 2/- | — | Socket, octal, amphenol | 34/521 | 6d. |
| 4 | Clamp and slider, pointer transport ... | 24/519 | 2/6 | — | Socket, dial lamp, with bracket ... | 93/257 | 2/6 |
| — | Clicker plate, wave change | 72/212 | 2/3 | — | Speaker, with transformer | 45/338 | 30/- |
| 8 | Cord, dial drive | 35/313 | 5d. | — | Spindle, tuning control | 24/242 | 9d. |
| — | Cord, power supply | 26/211 | 1/9 | — | Spindle, volume control pot. | 24/913 | 6d. |
| 5 | Counterweight, dial pointer | 24/475 | 3d. | 9 | Spring, cord tension | 25/211 | 2d. |
| — | Disc, trimmer mounting | 33/416 | 5d. | — | Switch section, wave change ... | 73/411 | 2/- |
| 10 | Drum, dial drive | 32/226 | 2/8 | — | Switch, tone control | 74/414 | 1/10 |
| — | Escutcheon, moulded | 32/256 | 2/11 | — | Transformer, speaker output | 44/321 | 7/- |
| — | Glass, dial, printed | 33/558 | 5/9 | 2, A, } 12, 13, } 14, 15 } | Wire assembly, dial drive | 26/323 | 3/- |
| — | Grommet, rubber, chassis mounting ... | 32/311 | 2d. | | | | |
| — | Grommet, rubber, power cord .. | 32/313 | 2d. | | | | |

PRICES QUOTED SUBJECT TO CHANGE WITHOUT NOTICE.

DIAL PARTS DIAGRAM.



SERVICE DATA.

COMPONENT PARTS.

(PRICES QUOTED ARE STRICTLY NETT, AND ARE SUBJECT TO ALTERATION WITHOUT NOTICE.)

CONDENSERS.

| No. on Diagram. | Value. | Code No. | Price. | No. on Diagram. | Value. | Code No. | Price. |
|-----------------|----------------------|----------|--------|-----------------|----------------|----------|--------|
| C1 | 8 uuF. | 52/521 | 3d. | C22 | 2.5 to 30 uuF. | 54/313 | 8d. |
| C2, C3, C4 | Tuning Gang | 53/215 | 10/3 | C23 | 0.01 uF. | 52/311 | 4d. |
| C5 | 2.5 to 30 uuF. | 54/313 | 8d. | C24 | 0.01 uF. | 52/311 | 4d. |
| C6 | 2.5 to 30 uuF. | 54/313 | 8d. | C25 | 2.5 to 30 uuF. | 54/313 | 8d. |
| C7 | Special neutralising | 52/527 | 3d. | C26 | 80 uuF. | 52/239 | 6d. |
| C8 | 100 uuF. | 52/811 | 6d. | C27 | 100 uuF. | 52/811 | 6d. |
| C9 | 2.5 to 30 uuF. | 54/313 | 8d. | C28 | 80 uuF. | 52/239 | 6d. |
| C10 | 0.01 uF. | 52/311 | 4d. | C29 | 2.5 to 30 uuF. | 54/313 | 8d. |
| C11 | 100 uuF. | 52/811 | 6d. | C30 | 0.05 uF. | 52/340 | 9d. |
| C12 | 2.5 to 30 uuF. | 54/313 | 8d. | C31 | 0.1 uF. | 52/339 | 9d. |
| C13 | 0.01 uF. | 52/311 | 4d. | C32 | 0.1 uF. | 52/342 | 10d. |
| C14 | 2.5 to 30 uuF. | 54/313 | 8d. | C33 | 100 uuF. | 52/811 | 6d. |
| C15 | 80 uuF. | 52/239 | 6d. | C34 | 0.05 uF. | 52/340 | 9d. |
| C16 | 400 uuF. | 52/233 | 7d. | C35 | 0.05 uF. | 52/340 | 9d. |
| C17 | 2.5 to 30 uuF. | 54/313 | 8d. | C36 | 0.006 uF. | 52/341 | 8d. |
| C18 | 2.5 to 30 uuF. | 54/313 | 8d. | C37 | 8 uF. | 52/428 | 3/- |
| C19 | 8 uF. | 52/426 | 3/- | C38 | 25 uF. | 52/416 | 1/3 |
| C20 | 0.01 uF. | 52/311 | 4d. | C39 | 16 uF. | 52/429 | 3/9 |
| C21 | 80 uuF. | 52/239 | 6d. | C40 | 0.004 uF. | 52/331 | 8d. |

RESISTORS.

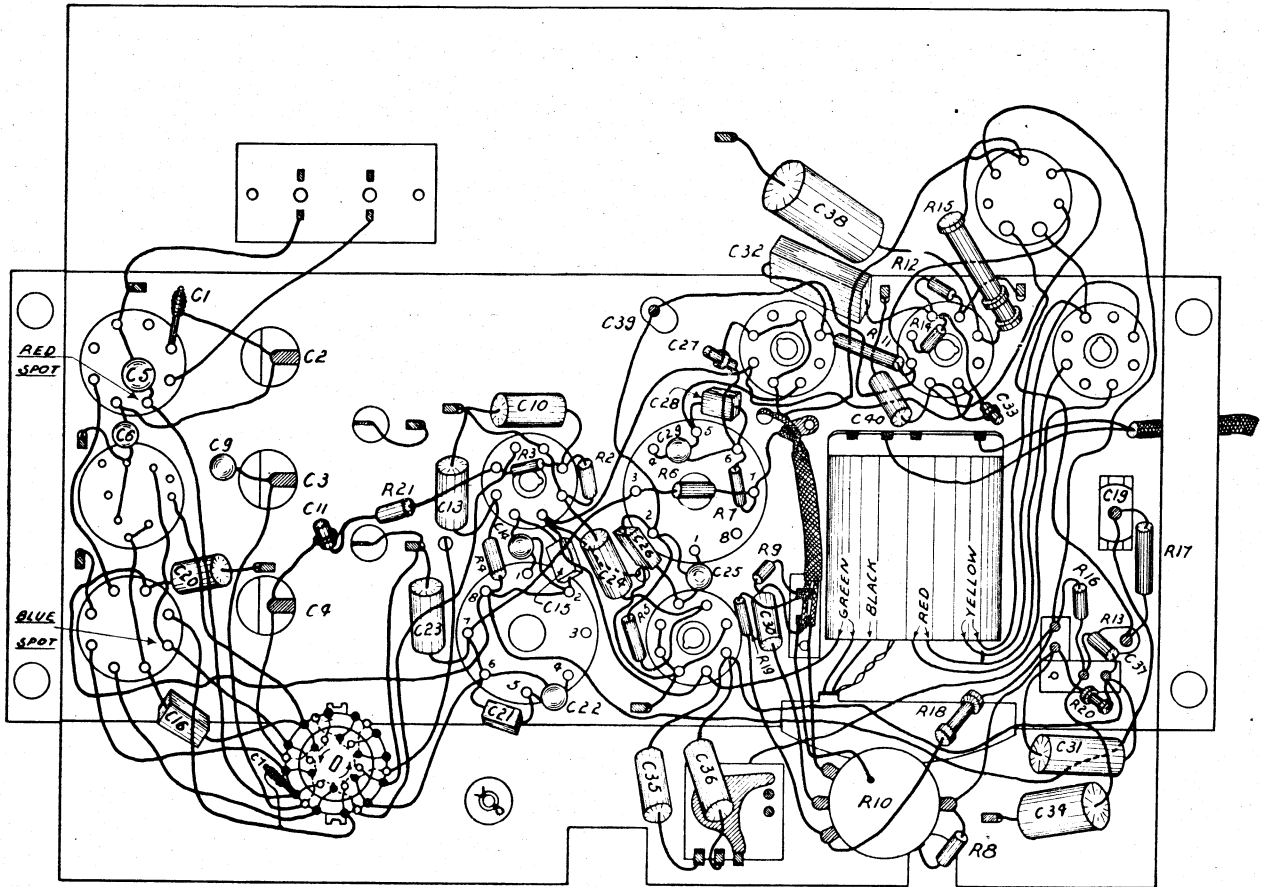
| No. on Diagram. | Value. | Code No. | Price. | No. on Diagram. | Value. | Code No. | Price. |
|-----------------|--------------------------|----------|--------|-----------------|-------------|----------|--------|
| R1 | 1 megohm | 62/214 | 4d. | R11 | 250,000 ohm | 62/415 | 5d. |
| R2 | 500 ohm | 62/224 | 4d. | R12 | 0.5 megohm | 62/216 | 4d. |
| R3 | 50,000 ohm | 62/212 | 4d. | R13 | 10,000 ohm | 62/213 | 4d. |
| R4 | 150,000 ohm | 62/233 | 4d. | R14 | 50,000 ohm | 62/212 | 4d. |
| R5 | 60,000 ohm | 62/413 | 5d. | R15 | 250 ohm | 64/239 | 6d. |
| R6 | 2 megohm | 62/222 | 4d. | R16 | 1,000 ohm | 62/234 | 4d. |
| R7 | 50,000 ohm | 62/212 | 4d. | R17 | 25,000 ohm | 62/423 | 5d. |
| R8 | 10,000 ohm | 62/213 | 4d. | R18 | 50 ohm | 62/211 | 6d. |
| R9 | 2 megohm | 62/222 | 4d. | R19 | 25 ohm | 62/223 | 6d. |
| R10 | 0.5 megohm pot. (tapped) | 63/612 | 3/9 | R20 | 50,000 ohm | 62/212 | 4d. |
| | | | | R21 | 25 ohm | 62/223 | 6d. |

COILS.

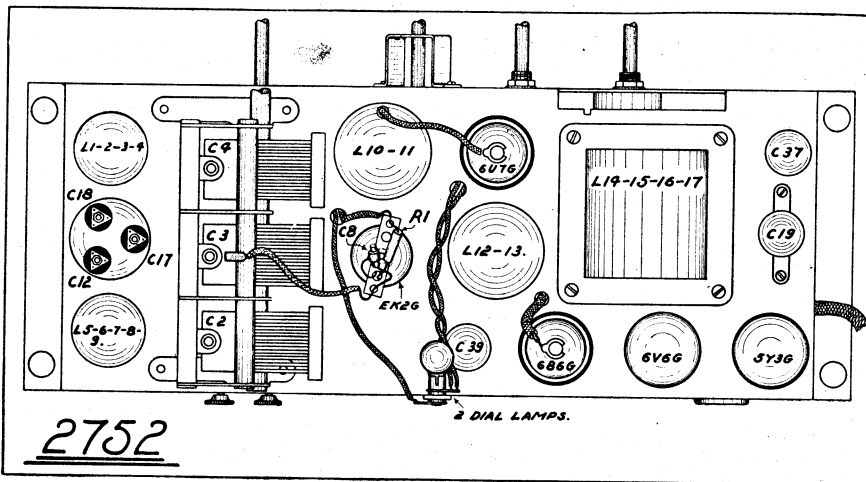
| No. on Diagram. | Description. | Code No. | Price. | No. on Diagram. | Description. | Code No. | Price. |
|--------------------|---------------------------|----------|--------|--------------------|--|------------------|--------------|
| L1, L2, L3, L4 | Aerial Coil | 42/720 | 4/9 | L14, L15, L16, L17 | } Power transformer (110v.) } Power transformer (240v.) | 44/226 44/228 | 14/6 14/6 |
| L5, L6, L7, L8, L9 | } Osc. and band-pass coil | 42/216 | 5/- | L18, L19, L20 | } Speaker unit, complete } with transformer | 45/338 | 30/- |
| L10, L11 | 1st Intermediate | 42/319 | 7/3 | L19, L20 | Speaker transformer only | 44/321 | 7/- |
| L12, L13 | 2nd Intermediate | 42/423 | 7/3 | | | | |

SERVICE DATA.

| | | | | | |
|----|-----------------------|-----------------|---------------------------------|----------------------------|-----------------|
| C. | 5. 20. 1. 9. 7. 2. 3. | 13. 14. 10. 15. | 39. 35. 29. 36. | 38. 40. | 37. |
| | 6. 16. 11. 9. | 23. 21. | 22. 29. 26. 28. 27. 25. 32. 30. | | 33. 39. 31. 19. |
| A. | | 21. 9. 3. | 2. 5. 6. 7. 19. 9. | 12. 10. 11. 19. 15. 18. 6. | 20. 16. 13. 17. |



2752



2752