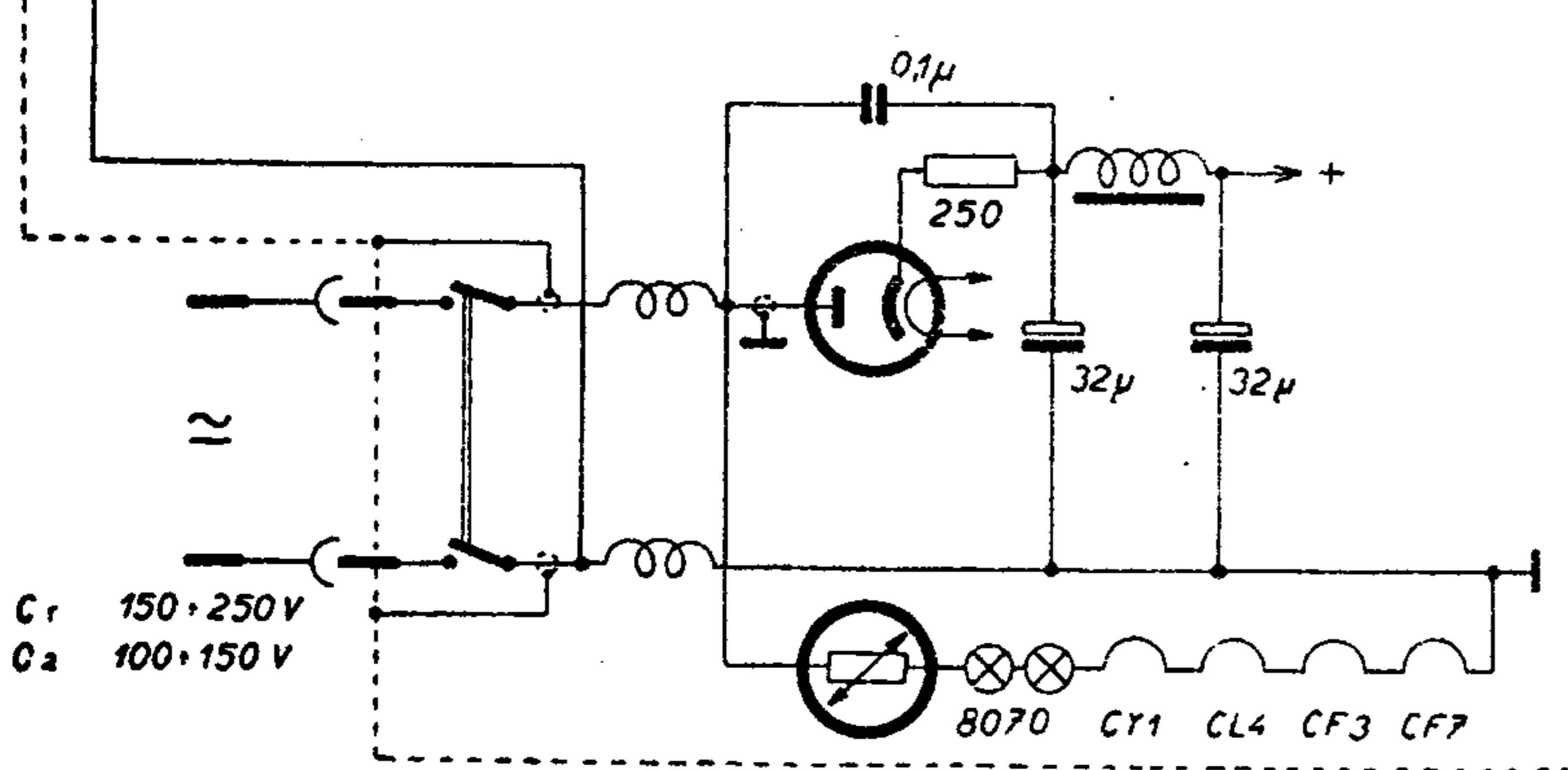
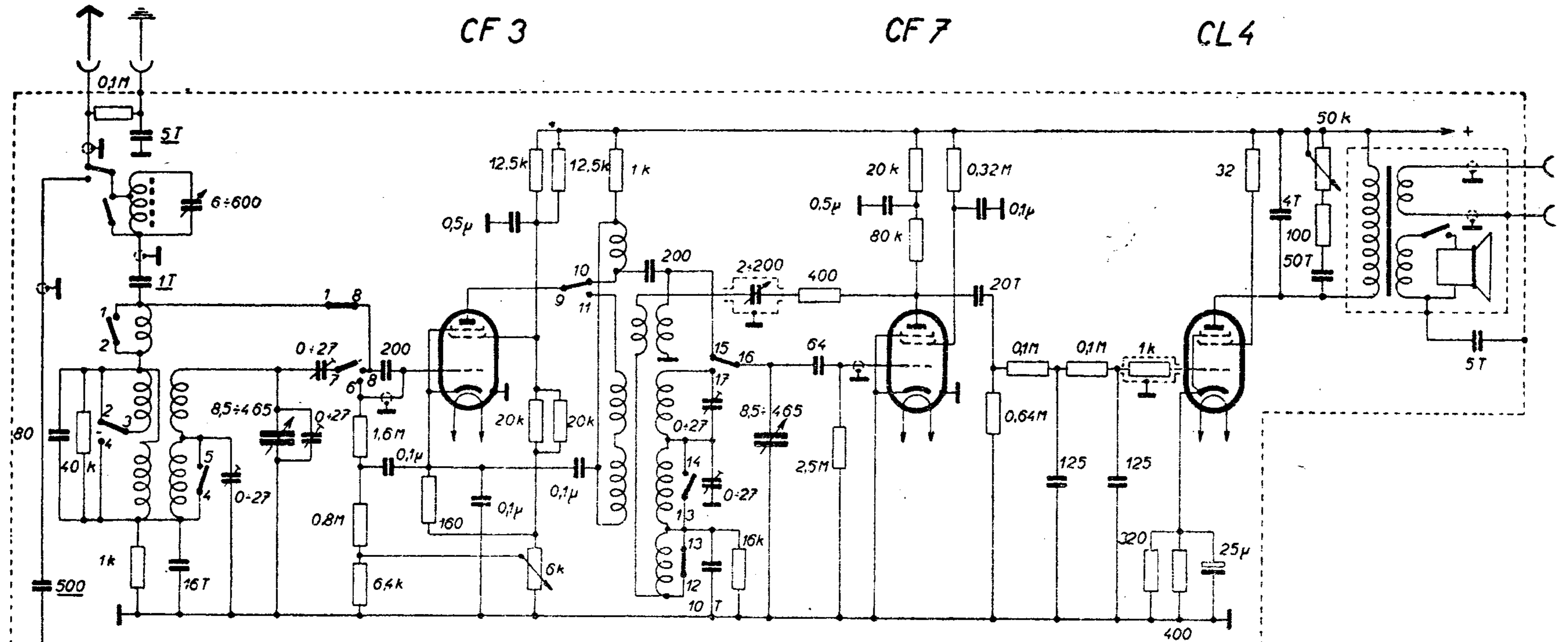


CF 3

CF 7

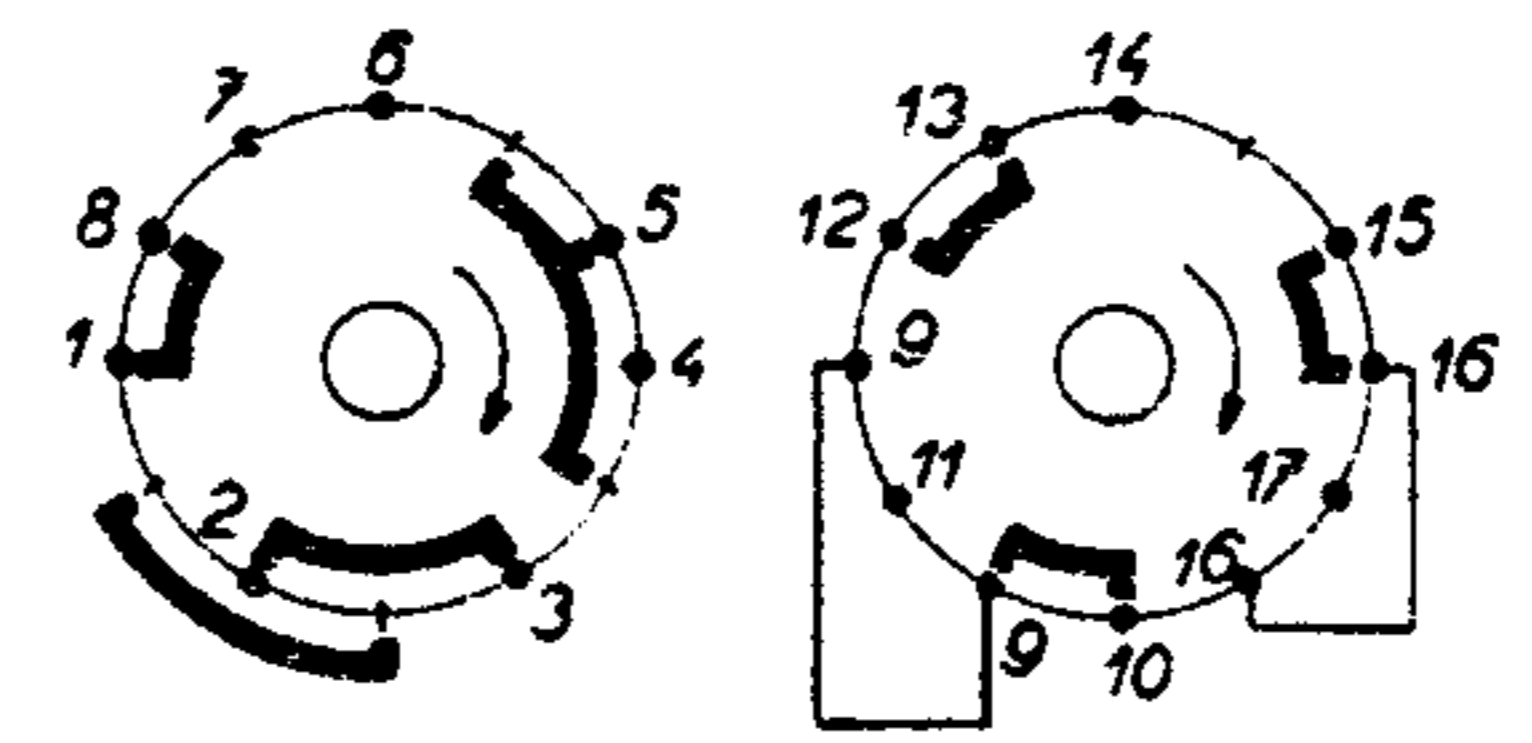
CL 4



C<sub>1</sub> 150 + 250V  
 C<sub>2</sub> 100 + 150V

C1, C2 CY 1

18 - 51 m	I
210 - 580 m	II
760 - 1900 m	III



PHILIPS GAVOTTA 272 HU

1936/37