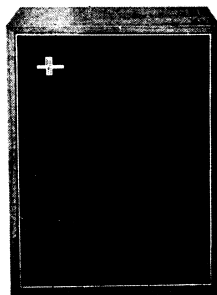


P1-22 **PHILIPS** Hi-Fi 22RH496/00

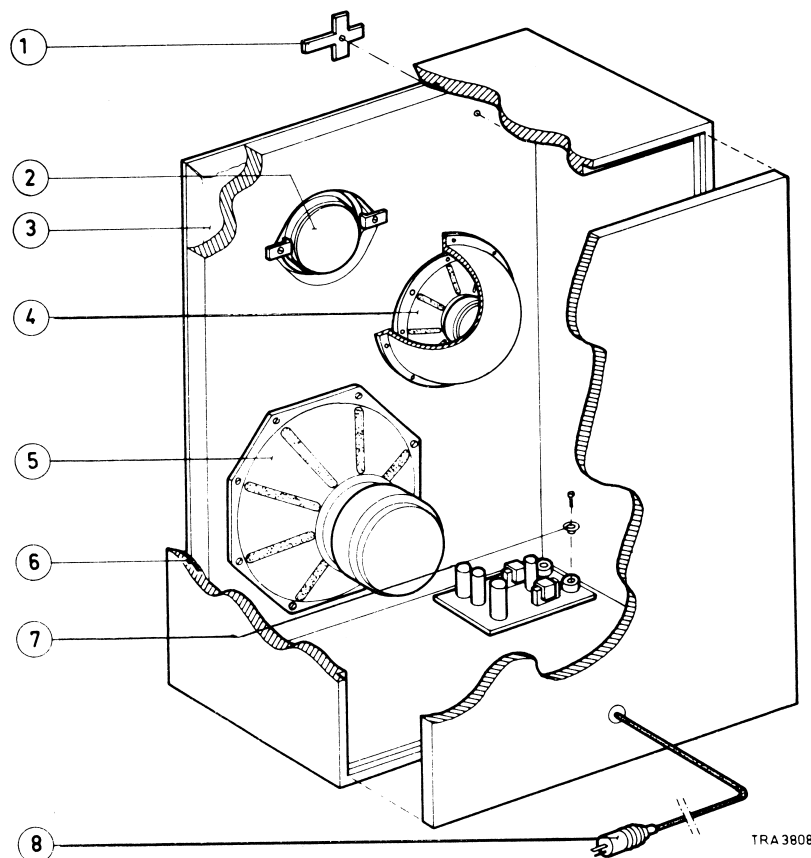
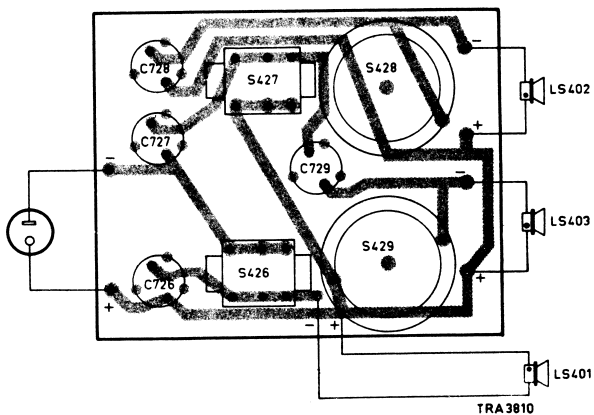
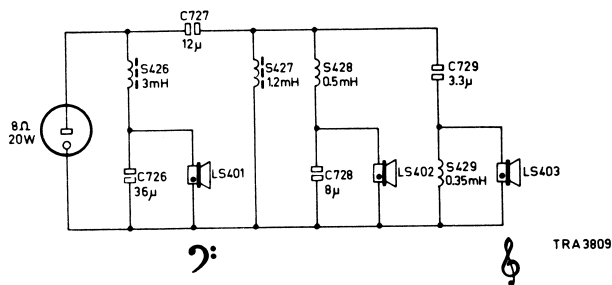
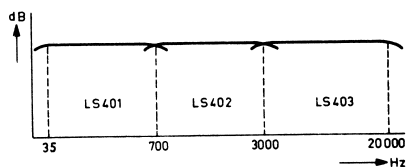
*Service*

**notes**

25 litres  
345x460x225 mm



TRA3750



TRA3808

- |   |             |                |
|---|-------------|----------------|
| ① |             | 4822 459 10271 |
| ② | LS403 - 8 Ω | 4822 240 70004 |
| ③ |             | 4822 445 30007 |
| ④ | LS402 - 8 Ω | 4822 240 50079 |
| ⑤ | LS401 - 8 Ω | 4822 240 60023 |
| ⑥ |             | 4822 460 10248 |
| ⑦ |             | 4822 462 70531 |
| ⑧ |             | 4822 264 30041 |

S426	4822 152 20366
S427	4822 152 20367
S428	4822 157 50596
S429	4822 157 50595

C726	4822 124 40077
C727	4822 124 40076
C728	4822 124 40102
C729	4822 124 40103