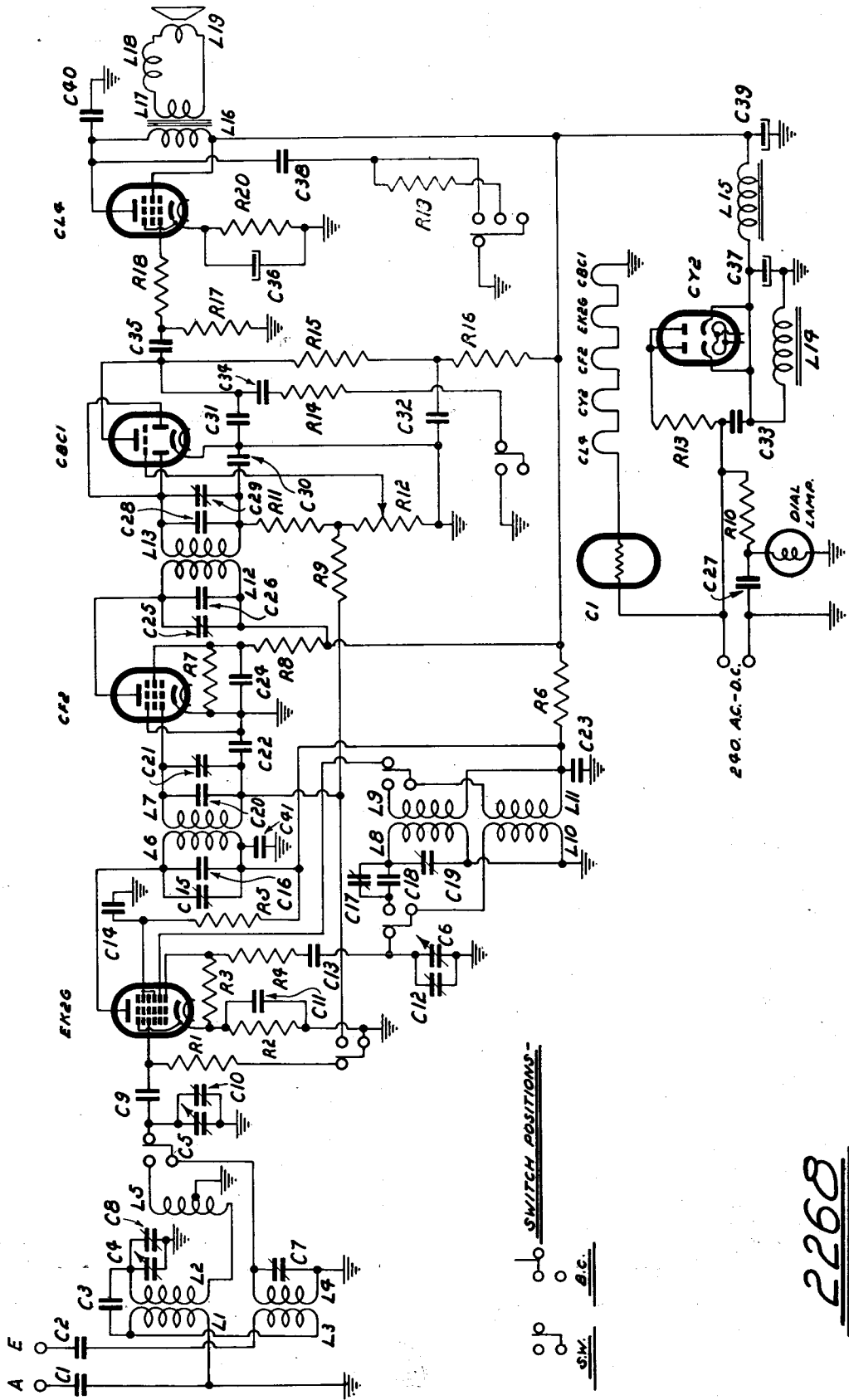


COMPONENT LOCATION DIAGRAM.

L.	1, 2, 3, 4.	5.	6, 7, 8, 9, 10, 11.	12, 13.	14.	15.	16, 17.	18, 19.	L.
C.	1.	2, 3.	4, 5.	6, 15, 17.	20, 21, 23.	24, 25, 26.	27, 29.	30, 31, 32, 33.	C.
R.	7.	10.	12, 13, 14, 16, 18, 19.	22.	28.	6, 7, 8.	9, 10, 11, 12, 13, 14.	15, 16, 17, 18.	R.



SW.
 A.C.
 SWITCH POSITIONS -

SERVICE DATA.

COMPONENT PARTS.

CONDENSERS. (PRICES SUBJECT TO ALTERATION WITHOUT NOTICE.)

No. on Diagram.	Value.	Code No.	Price.	No. on Diagram.	Value.	Code No.	Price.
C1	0.01 uF.	52/225	1/5	C22	0.01 uF.	52/311	4d.
C2	0.01 uF.	52/225	1/5	C23	0.01 uF.	52/311	4d.
C3	8 uuF.	52/521	3d.	C24	0.01 uF.	52/311	4d.
C4, C5, C6	Tuning Gang	53/215	10/3	C25	2.5 to 30 uuF.	54/313	8d.
C7	0 to 35 uuF.	52/524	3d.	C26	80 uuF.	52/239	6d.
C8	0 to 25 uuF.	52/515	3d.	C27	0.01 uF.	52/225	1/5
C9	100 uuF.	52/811	6d.	C28	80 uuF.	52/239	6d.
C10	0 to 10 uuF.	52/516	3d.	C29	2.5 to 30 uuF.	54/313	8d.
C11	0.01 uF.	52/311	4d.	C30	100 uuF.	52/811	6d.
C12	0 to 10 uuF.	52/516	3d.	C31	100 uuF.	52/811	6d.
C13	100 uuF.	52/811	6d.	C32	0.25 uF.	52/319	11d.
C14	0.01 uF.	52/311	4d.	C33	0.01 uF.	52/225	1/5
C15	2.5 to 30 uuF.	54/313	8d.	C34	0.01 uF.	52/311	4d.
C16	80 uuF.	52/239	6d.	C35	0.01 uF.	52/311	4d.
C17	2.5 to 30 uuF.	54/313	8d.	C36	25 uF.	52/416	1/3
C18	420 uuF.	52/236	7d.	C37	32 uuF.	52/417	3/4
C19	2.5 to 30 uuF.	54/313	8d.	C38	0.02 uF.	52/313	7d.
C20	80 uuF.	52/239	6d.	C39	32 uF.	52/417	3/4
C21	2.5 to 30 uuF.	54/313	8d.	C40	0.004 uF.	52/324	7d.
				C41	0.01 uF.	52/311	4d.

RESISTORS.

No. on Diagram.	Value.	Code No.	Price.	No. on Diagram.	Value.	Code No.	Price.
R1	1 megohm	62/214	4d.	R11	50,000 ohm	62/212	4d.
R2	500 ohm	62/224	4d.	R12	0.5 meg. pot.	63/215	3/3
R3	50,000 ohm	62/212	4d.	R13	60 ohm	64/224	1/6
R4	50 ohm	62/211	6d.	R14	25,000 ohm	62/218	4d.
R5	0.1 megohm	62/215	4d.	R15	0.25 megohm	62/415	5d.
R6	5,000 ohm	62/412	5d.	R16	50,000 ohm	62/212	4d.
R7	0.25 megohm	62/232	4d.	R17	0.5 megohm	62/216	4d.
R8	0.1 megohm	62/416	5d.	R18	50,000 ohm	62/212	4d.
R9	2 megohm	62/222	4d.	R19	10,000 ohm	62/213	4d.
R10	500 ohm	64/232	1/-	R20	200 ohm	64/240	1/-

COILS.

No. on Diagram.	Description.	Code No.	Price.	No. on Diagram.	Description.	Code No.	Price.			
L1, L2, L3, L4	Aerial Coil	42/712	4/3	L12, L13	2nd I.F.	42/424	7/9			
L5, L8, L9, L10, L11				Bandpass & Osc. Coil	42/216	5/-	L16, L17	Speaker output transformer	44/326	7/6
L6, L7							1st I.F.	42/323	7/9	L14, L16, L17, L18, L19
				L15	Choke, 250 ohm	44/415	6/6			

IMPORTANT: In ordering spare parts quote **CODE NUMBER ONLY**. If claiming free replacement under **GUARANTEE**, return defective parts **PROMPTLY** and quote **TYPE** and **SERIAL NUMBER** of **RADIOPLAYER**.

PHILIPS RADIOPLAYER

MODEL 2268 (MODIFIED).

SERIAL NUMBERS GREATER THAN 1300.

The revised technical data contained in this sheet applies to Model 2268 with Serial Numbers greater than 1300.

For sets of lower Serial Number than 1301, please refer to original 1868/2268 Service Data Sheet or the first Modification Sheet to same, which concerns Serial Numbers from 1150 onwards.

In ordering replacement parts it is essential that the Code Number be derived from the correct data sheet in accordance with the Serial Number of the set. Preferably, the Serial Number of the set as well as the Code Number of the part concerned, should be specified.

COMPONENTS NOT SHOWN ON CIRCUIT DIAGRAM.

Description.	Code No.	Price.	Description.	Code No.	Price.
Back, cabinet	33/933A	5/6	Grommets, rubber, chassis mounting	32/311	2d.
Baffle, with silk	33/656	9/3	Knob, tuning control	32/229	7d.
Bracket, cabinet back securing	23/449	3d.	Lamp, dial illuminating	92/212	1/6
Bracket, dial slider, adjusted	24/482	6d.	Locking ring, amphenol socket	24/666	1d.
Bracket, dial mounting	23/441	6d.	Pointer, glass	33/531	6d.
Bracket, gang cable support	23/443	1/6	Rubber bands, dial glass	33/316	3d.
Bracket, lamp socket mounting	23/474	1/6	Silk, for baffle	35/213	2/6
Bracket, power socket	23/486	1/6	Slide rod, dial	24/258	1/6
Bracket, tuning control spindle	24/494	6d.	Socket, amphenol octal	34/521	6d.
Cabinet, No. 22, Philite	32/235	£2/7/6	Socket, dial lamp	24/662	1/2
Clamp and slider, pointer transport	24/519	2/6	Socket, "P" type	34/516	4d.
Clicker plate, wave change	72/215	2/-	Spacers, brass, chassis mounting	24/218	2d.
Cord, dial drive	35/316	5d.	Spindle, tuning control	24/265	9d.
Cord, power cable	26/211	1/9	Spindle, extension, medium	24/272	6d.
Connector, power, male	34/569	6d.	Spindle, extension, short	24/273	6d.
Connector, power, female	34/577	6d.	Spring, dial cord tension	25/211	2d.
Counterweight, dial pointer	24/475	3d.	Strip, speaker, securing	24/468	6d.
Coupling, insulated short	24/274	6d.	Switch section, wave change	73/411	2/-
Coupling, insulated, medium length	24/264	6d.	Switch, tone control	74/415	1/10
Drum, dial drive	32/226	2/8	Transformer, speaker output	44/326	7/6
Glass, dial, printed	33/548	5/6	Wire assembly, dial drive	26/323	3/-

(PRICES QUOTED ARE STRICTLY NETT AND SUBJECT TO CHANGE WITHOUT NOTICE)

