

PHILIPS *Service* notes

To be read
in conjunction with
MODEL 223 SERVICE DATA

GENERAL

Model 223R consists of the Standard 223 Radiogram with the addition of Reverberation Unit, Reverberation Amplifier and Two 10" x 3" Loudspeakers. A Remote Unit, to control the degree of Reverberation applied, is also fitted to the Receiver.

RESISTORS

No.	Description	Type or Code No.
1	820,000 Ω $\frac{1}{2}$ w carbon, 10%	
2	820,000 Ω $\frac{1}{2}$ w carbon, 10%	
3	33,000 Ω $\frac{1}{2}$ w carbon, 10%	
4	4,700 Ω $\frac{1}{2}$ w carbon, 10%	
5	150 Ω $\frac{1}{2}$ w W/W 10% IRC BW $\frac{1}{2}$
6	270,000 Ω $\frac{1}{2}$ w carbon, 10%	
7	1,000 Ω $\frac{1}{2}$ w carbon, 10%	
8	220,000 Ω $\frac{1}{2}$ w carbon, 10%	
9	500,000 Ω carbon potentiometer, taper C, type Q, with reverse action S.P.S.T. switch CZ.032.039
10	22,000 Ω $\frac{1}{2}$ w carbon, 10%	
11	10M Ω $\frac{1}{2}$ w carbon 10%	
12	270,000 Ω $\frac{1}{2}$ w carbon, 10%	
13	47,000 Ω $\frac{1}{2}$ w carbon, 10%	
14	470,000 Ω $\frac{1}{2}$ w carbon, 10%	
15	4,700 Ω $\frac{1}{2}$ w carbon, 10%	
16	180 Ω 1w W/W 10% IRC BW1
17	180 Ω 1w W/W 10% IRC BW1
18	3,300 Ω 1w carbon, 10%	
19	3,300 Ω 1w carbon, 10%	
20	56 Ω $\frac{1}{2}$ w carbon, 10%	
21	56 Ω $\frac{1}{2}$ w carbon, 10%	

CAPACITORS

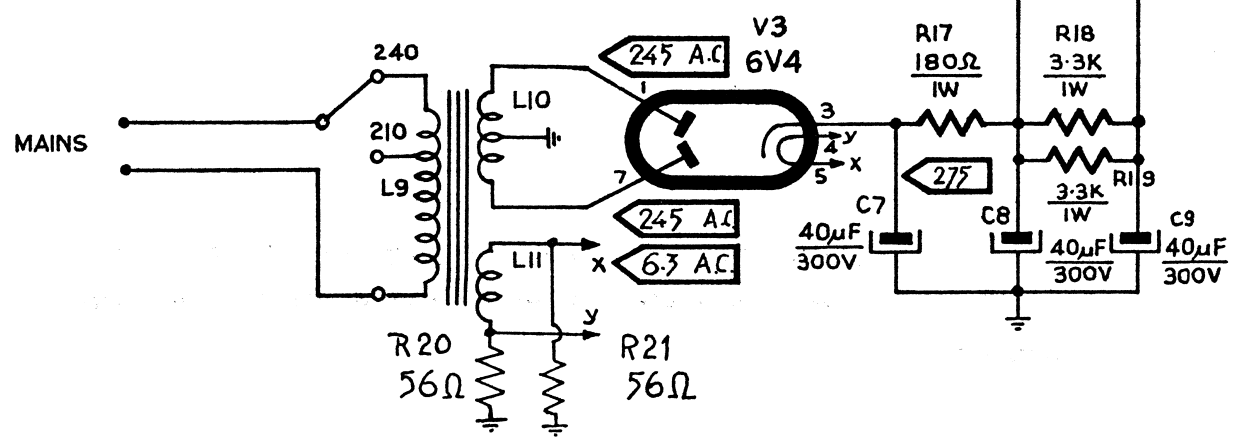
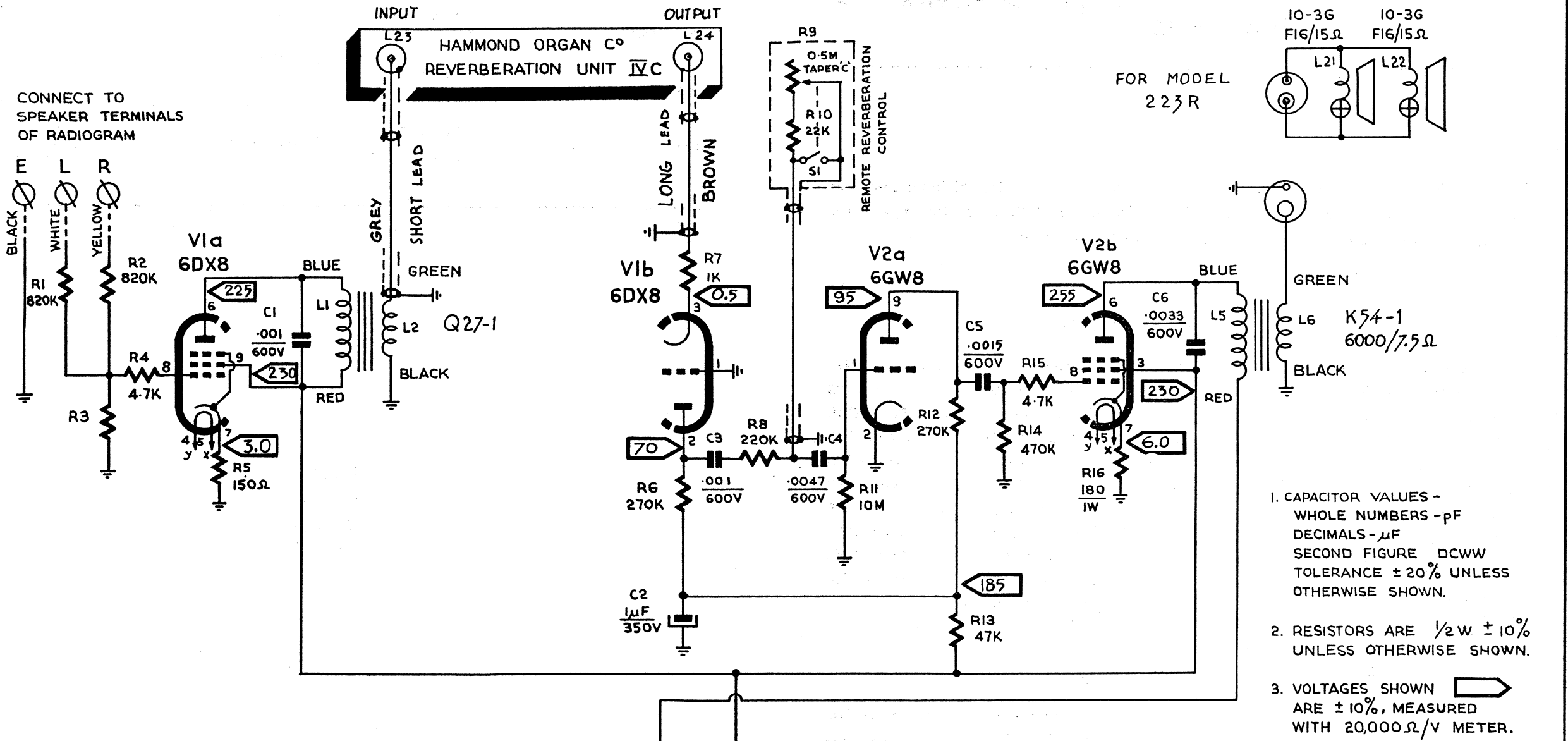
No.	Description	Type or Code No.
1	0.001 μ F 600V paper 20% Ducon TPB
2	1 μ F 350W electrolytic Ducon ET1B
3	0.001 μ F 600V paper 20% Ducon TPB
4	4.7nF 600V paper 20% Ducon TPB
5	15nF 600V paper 20% Ducon TPB
6	3.3nF 600V paper 20% Ducon TPB
7	40 μ F 300VW electrolytic Ducon EE5G
8	40 μ F 300VW electrolytic Ducon EE5G
9	40 μ F 300VW electrolytic Ducon EE5G

(Note—nF = nanofarad, i.e. 10⁻⁹ farad.)

INDUCTORS

No.	Ohms	Description	Type or Code No.
L1	600	13,500 Ω /800 Ω reverb. unit driver transformer CZ.345.081
L2	160	 Rola Q27-1
L5	375	6,000 Ω /7.5 Ω output transformer CZ.345.080
L6	0.75	 Rola K54-1
L9	19.0	Power transformer CZ.344.126
L10	180.0		
L11	0.5		
L21	14.0	Speaker	{ Rola 10-3G, F16, 15 Ω CZ.162.520
L22	14.0	Speaker	{ Rola 10-3G, F16, 15 Ω CZ.162.520

R	1	2,3	4	5	20	21	17	6,7,18,19	8,9,10	11	12,13	14	15	16	R		
C	1						7	8	2	3	9	4	5			6	C
L	9,10,11			1,2	3	4						5,6	7	8	L		
V	1a			3			1b			2a			2b			V	



MISCELLANEOUS COMPONENTS

Description	Code No.	Description	Code No.
Plug, reverb. unit input and output	{ CZ.365.029 (C/F.691-10-1)	Remote Control Unit Items	
Plug, speaker	{ CZ.365.108 (C/F.691-5-1)	Complete unit	CZ.401.202
Socket, speaker	{ CZ.370.107 (C/F.733-16-1)	Body	CS.461.830
Socket, valve, 3x	{ CZ.369.718 (C/F.733-2-25)	Cap	CS.462.749
		Knob, control	CR.523.548
		Stand	CS.233.076
		Switch potentiometer	CZ.032.039
		Reverberation Unit	{ CZ.171.000 Hammond type IV



Published by PHILIPS ELECTRICAL INDUSTRIES PTY. LIMITED
 Sydney-Newcastle-Melbourne-Brisbane-Adelaide-Perth-Hobart-Canberra-Wollongong