

SPECIFICATION OF S.T.C. MODEL A 2070 PORTABLE RECORD PLAYER



MODEL 2070 RECORD PLAYER

DESCRIPTION:

An A.C. operated two valve portable record playing unit. Incorporating :-

Dual-purpose television type amplifier and output valve.,

Four speed record player, with automatic stop,
Continuously variable tone control.

VALVE COMPLEMENT:

V1 Audio amplifier triode and output pentode 6BM8
V2 HT. Rectifier 6X4.

POWER SUPPLY:

230 - 250 Volts 50 cycles A.C.
180 Milliamps with 240 volts input.

LOUD SPEAKER:

5 inch permanent magnet type with a 5000 ohm transformer.

CIRCUIT VOLTAGES:

Refer to circuit diagram.

The voltages indicated are measured to the receiver chassis with a voltmeter having a resistance of 20,000 ohms per volt, and they may vary within 10% of their stated value.

SERVICING:

Record Player.

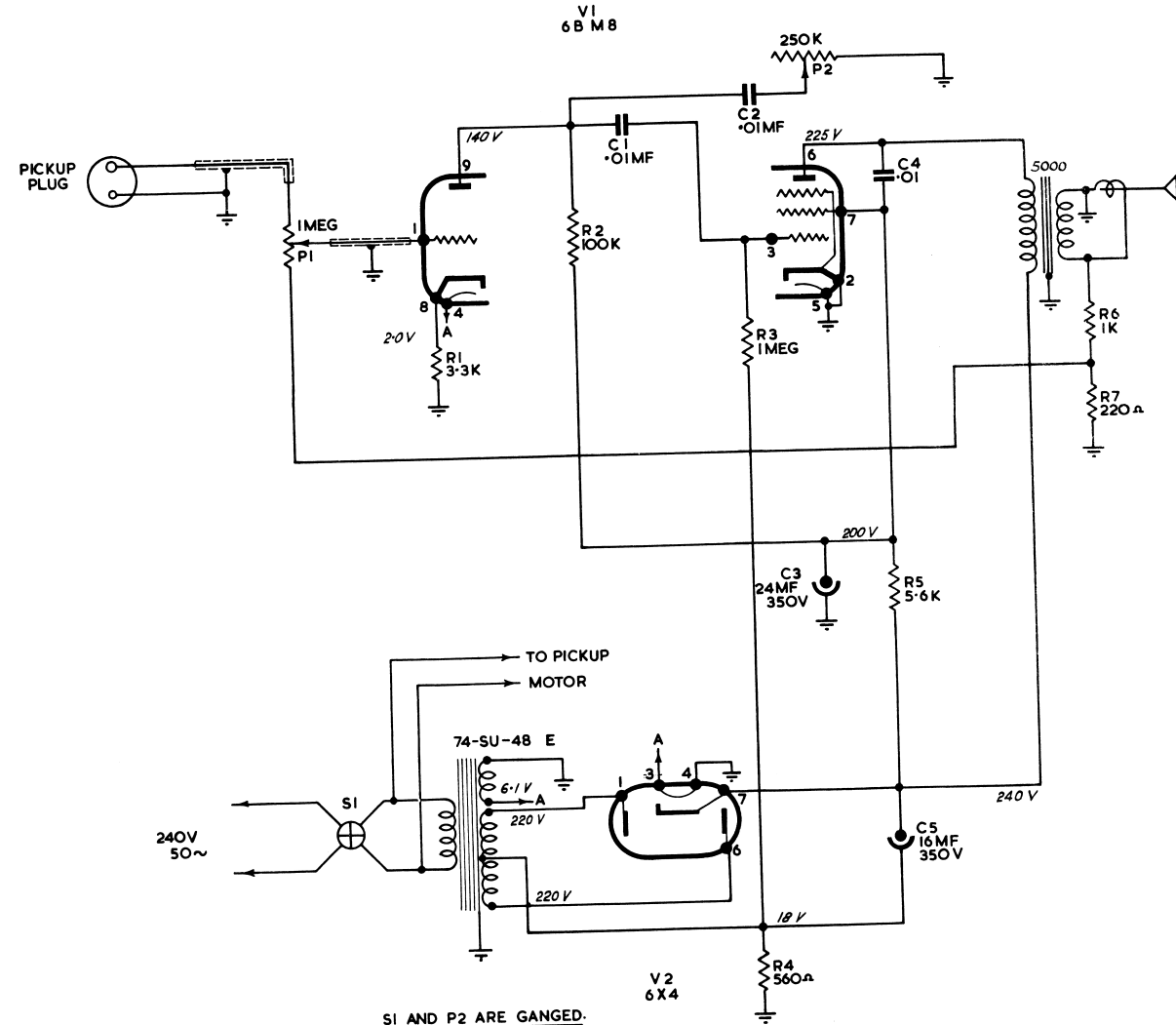
Removal of the base will enable the player holding screws to be released, the pickup plug released and the power flex to be dis-connected. Then the player may be lifted out of the cabinet.

Amplifier Unit.

Replacement of resistors and or condensers can be effected with the base removed only. If valve checking and or replacement is necessary, then the two knobs and the two chassis holding screws must be removed after which the chassis may be manouvered out of the cabinet.

Speaker.

Following the removal of the chassis, the two screws on the bottom of the speaker baffle must next be removed which allows the baffle with the loudspeaker attached to slide down and out of the cabinet.



NOTE:- THE MANUFACTURER RESERVES THE
RIGHT TO CHANGE COMPONENTS OR
CIRCUIT ARRANGEMENTS WITHOUT
NOTICE.