

PHILIPS RADIOPLAYER MODEL 1941

A.C. OPERATED FOR BROADCAST RECEPTION.

SPECIFICATIONS. (Subject to Alteration without Notice.)

Voltage Rating (Power Supply) 220-260 volts A.C.
40-60 cycles.

Tuning Range 1,550 to 540 Kc/s.
Intermediate Frequency 472.5 Kc/s.

VALVE EQUIPMENT.

Frequency Converter
I.F. Amplifier, A.V.C., and
Demodulator
Power Amplifier
Rectifier
Dial Lamp

EK2G Octode.
EBF2 Duo-diode Penthode.
EL3G Power Penthode.
5Y3G Full Wave
6.3 volt 0.3 amp. Panel Lamp.

VOLTAGE ADJUSTMENT.

The receiver may be adapted for A.C. mains of 220, 240, or 260 volts by means of taps located on the power transformer. It is important that the receiver should be operated with the red lead in the power flex connected to the tap which most nearly corresponds to the mains voltage where the installation is made.

REMOVING THE CABINET.

- (1) Disconnect power plug and remove back of cabinet.
- (2) Remove all knobs. The knobs on the side of cabinet may be removed by unscrewing grub screws which are accessible from the back of the cabinet.
- (3) Remove 8 metal thread screws securing baffle to philite cabinet as follows:—
 - (a) Two are located, one on either side of panel lamp.
 - (b) Two are fitted, one at the top and outside of either chassis supporting bracket.
 - (c) Two, one on either side of the chassis proper.
 - (d) Two screws are fitted through brackets at the front of the set accessible from underneath chassis.
- (4) With the screws removed, the chassis, speaker and baffle may be withdrawn from the cabinet, care being taken that the two back securing brackets at the bottom rear of the cabinet clear the chassis.
- (5) With the chassis removed it is possible for the dial glass and rubber grommets securing same to fall out of position. Therefore, lie the cabinet face down to retain these components.

REPLACING THE CABINET.

This may be accomplished by a reversal of the removal process. Replacement of the metal thread screws in the cabinet will be facilitated if a magnetised screw driver is utilised for the purpose.

DIAL CALIBRATION.

If, due to transit or some other reason, the pointer does not indicate the correct position for tuning a given station, the position of the pointer in relation to the gang condenser can be adjusted by loosening the grub screws securing the dial drum to the gang shaft.

This operation should not be attempted unless absolutely necessary.

NOTE:

Should it be necessary at any time to replace the dial drive cord, it is important that the method of threading shown on the diagram over the page should be closely followed.

VOLTAGE ANALYSIS.

Valve Type	Plate Voltage	Screen Voltage	Bias Voltage	Heater Voltage (A.C.)
EK2G	190	50	2	6.3
EBF2	230	80	2	6.3
EL3G	210	230	5	6.3
5Y3G	300 A.C. per plate			5.0

NOTE:

The abovementioned voltage values with the exception of bias voltages are measured between the socket points indicated and chassis with the receiver in the no signal condition and with the volume control at zero. Bias voltages are to be measured at the source of the voltage, as incorrect readings will otherwise be obtained. Voltages are measured with a 1,000 ohm per volt voltmeter and may vary as much as 10% from the figures quoted.

SERVICE DATA.

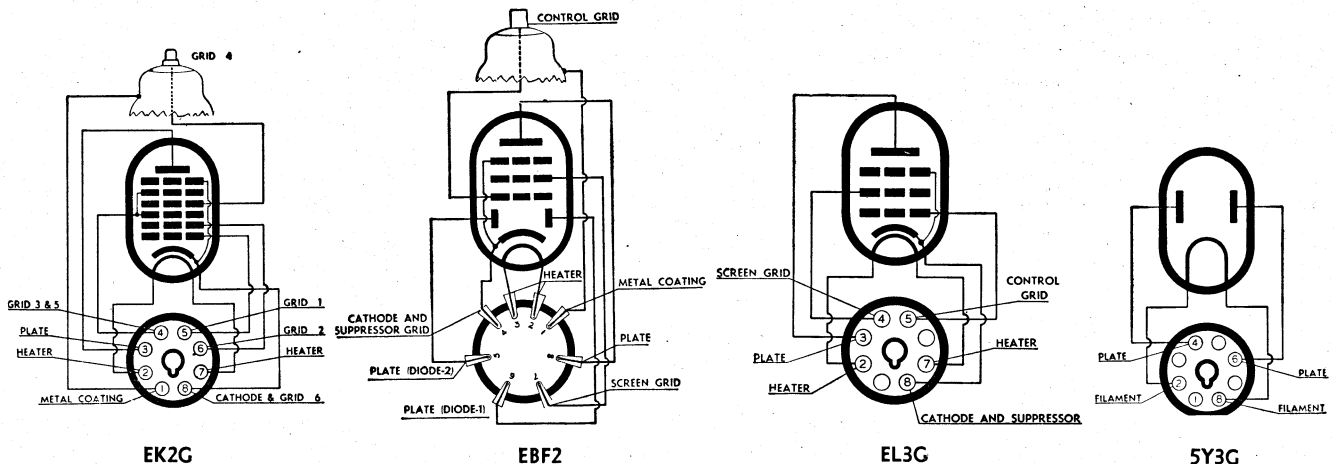
COMPONENTS NOT SHOWN ON CIRCUIT DIAGRAM.

No. on Diagram	Description	Code No.	Price.	No. on Diagram	Description	Code No.	Price.
1	Dial Drum (Philite)	32/224	2/-		Brass spacers for inside chassis mounting grommets	24/218	2d.
2	Dial tension spring	25/219	2d.		Wooden baffle	33/618	3/3
3	Dial cord assembly	35/314	4d.		Baffle silk	35/217	2/-
4	Dial wire assembly	26/321	6d.		Cabinet back (fibre)	33/924	3/6
6	Panel lamp holder	24/644	6d.		Philite cabinet	32/233	18/6
7	Slider and pointer	24/471	1/6		Knob with copper insert	34/553	11d.
8	Slide bar, bracket and pulley	24/521	2/6		Knob, plain	32/232	6d.
	Mounting disc for trimmers	33/416	5d.		Loudspeaker unit (less transformer)	45/314	15/-
	Tuning control spindle and mounting bracket	24/522	2/-		Tone control switch	74/415	1/10
	Rubber grommets for dial glass support	32/321	2d.		"P" type valve socket	34/516	4d.
	Dial glass, printed	33/525	4/-		Amphenol type rectifier socket	34/521	6d.
	3/4 in. x 13/32 in. Rubber grommets for chassis mounting	32/311	2d.		Wafer type octal socket	34/546	4d.
					Power flex	26/211	1/9
					Rubber grommet for power flex	32/313	2d.
					Cabinet back securing bracket	23/449	3d.

PRICES QUOTED ARE STRICTLY NETT AND ARE SUBJECT TO CHANGE WITHOUT NOTICE.

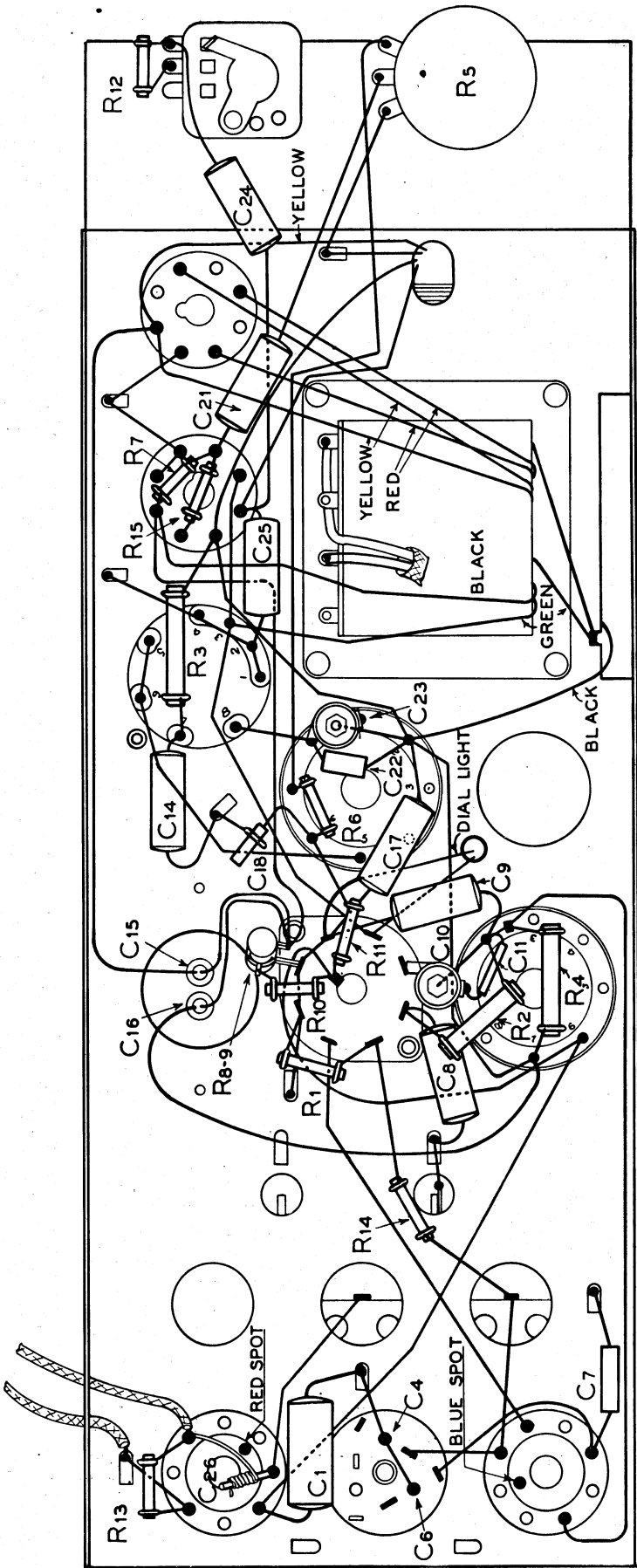


SOCKET CONNECTIONS VIEWED FROM BOTTOM OF BASE.



COMPONENT LOCATION DIAGRAM.

C 6	1. 26.	4. 7.	8.	16.	10. 11. 15.	9. 18. 17. 14.	22.	23.	25.	21.	24.	C
R 13.	14.	1. 8. 9. 2. 10. 4.	11.	6.	3.	15.	7.	125.	R			



SERVICE DATA.

COMPONENT PARTS

CONDENSERS (PRICES QUOTED ARE STRICTLY NETT AND ARE SUBJECT TO CHANGE WITHOUT NOTICE.)

No.	Value.	Code No.	Price.	No.	Value.	Code No.	Price.
C1	0.1 uF	52/316	6d.	C14	0.01 uF	52/332	4d.
C2	} Tuning Gang	53/315	9/11	C15	8 uF Square type	52/424	} 4/6
C3				8 uF Round type	52/911		
C5							
C4	2.5-30 uuF	54/313	8d.	C17	0.01 uF	52/332	4d.
C6	2.5-30 uuF	54/313	8d.	C18	100 uuF	52/235	3d.
C7	330 uuF	52/619	7d.	C19	} Part of coil unit 42/416	—	
C8	0.1 uF	52/317	7d.	C20			
C9	0.01 uF	52/332	4d.	C21	0.004 uF	52/324	7d.
C10	2.5-30 uuF	54/313	8d.	C22	80 uuF	52/239	6d.
C11	80 uuF	52/239	6d.	C23	2.5-30 uuF	54/313	8d.
C12	} Part of coil unit 42/317	—		C24	0.02 uF	52/313	7d.
C13				C25	0.004 uF	52/324	7d.
				C26	4 uuF	52/517	3d.

RESISTORS.

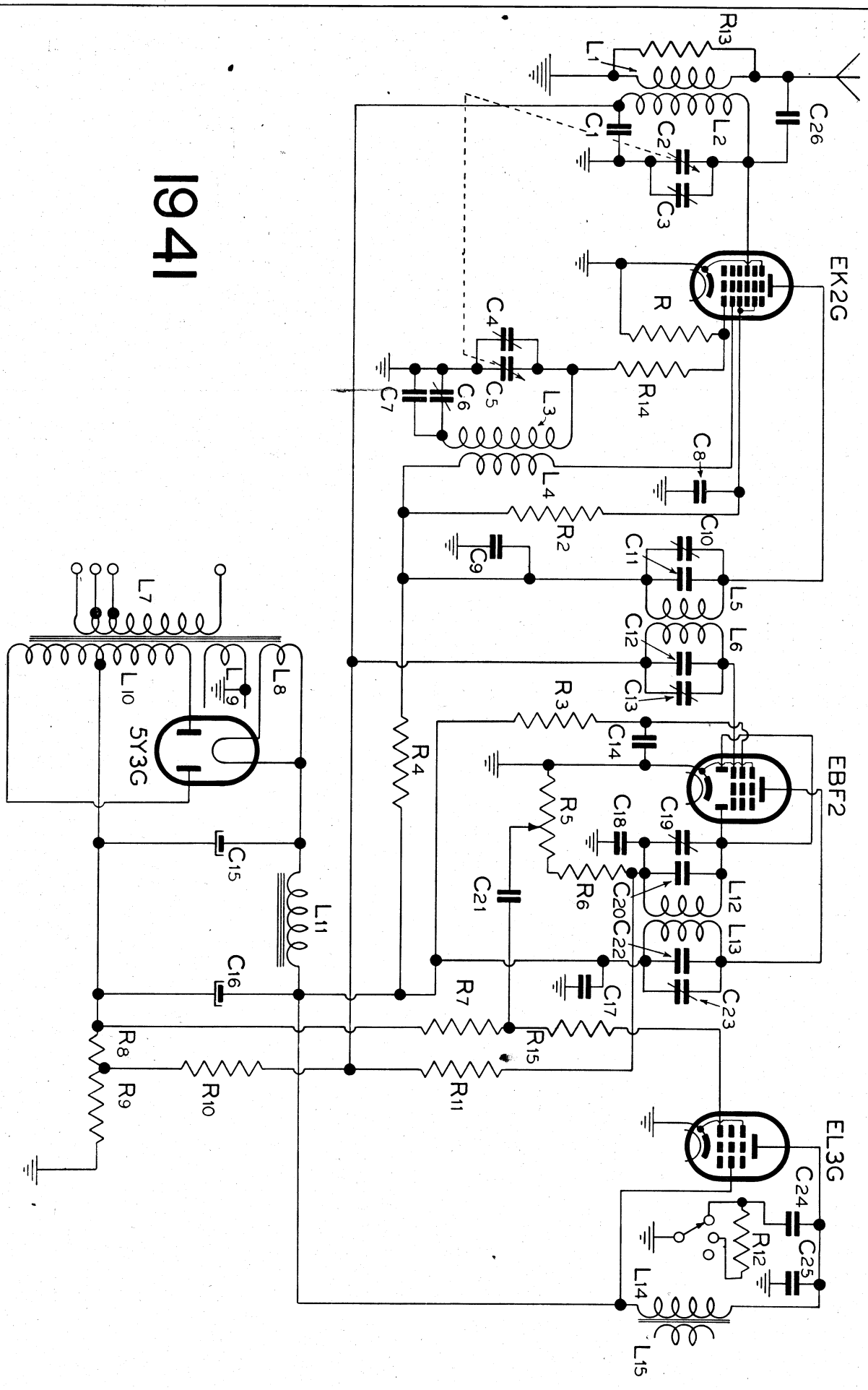
No.	Value.	Code No.	Price.	No.	Value.	Code No.	Price.
R1	100,000 ohm	62/215	4d.	R8	75 ohm	64/222	4d.
R2	150,000 ohm	62/414	5d.	R9	45 ohm		
R3	100,000 ohm	62/416	5d.	R10	1 megohm	62/214	4d.
R4	10,000 ohm ✓	62/422	5d.	R11	2 megohm	62/222	4d.
R5	0.5 megohm Pot.	63/215	3/3	R12	10,000 ohm ✓	62/213	4d.
R6	50,000 ohm	62/212	4d.	R13	5,000 ohm ✓	62/217	4d.
R7	1 megohm	62/214	4d.	R14	50 ohm	62/211	6d.
				R15	50,000 ohm	62/212	4d.

COILS.

No.	Value.	Code No.	Price.	No.	Value.	Code No.	Price.
L1	30 ohm	42/714	3/-	L14	600 ohm	44/313	6/-
L2	4 ohm						
L3	2.5 ohm	42/218	3/-	L7	60 ohm	42/212	13/-
L4	3.5 ohm						
L5	8 ohm			L9	—		
L6	8 ohm	42/317	7/3	L10	600 ohm	45/314	15/-
L12	8 ohm			L11	1500 ohm		
L13	8 ohm	42/416	7/3	Voice Coil	0.5 ohm		

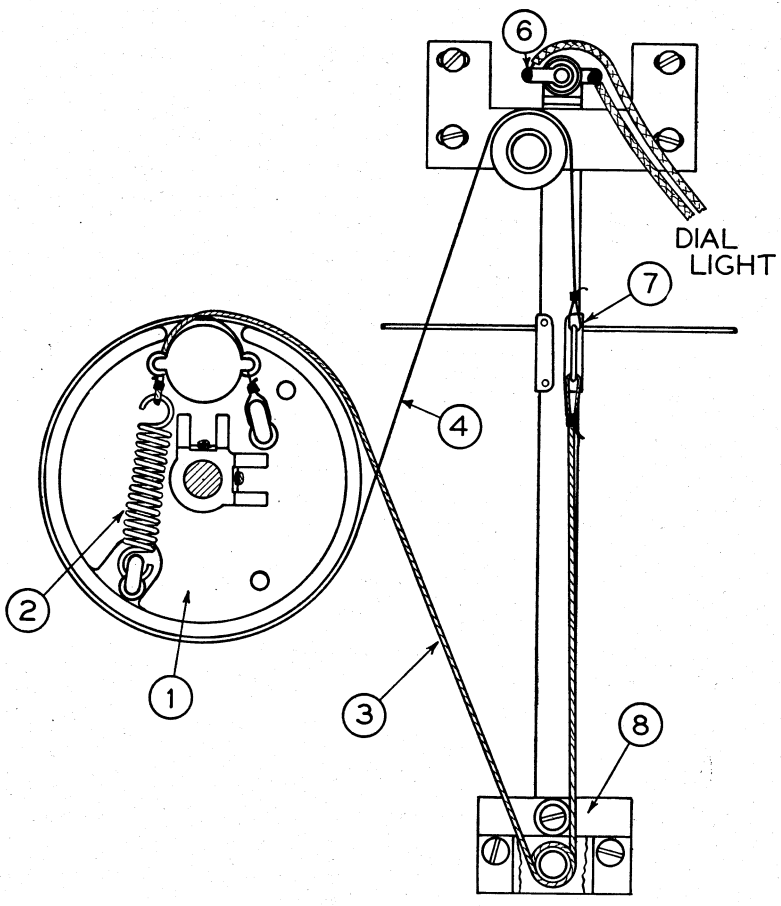
IMPORTANT: In ordering spare parts quote **CODE NUMBER ONLY**. If claiming free replacement under **GUARANTEE**, return defective parts **PROMPTLY** and quote **TYPE** and **SERIAL NUMBER** of **RADIOPLAYER**.

L	1	2.	3.	4.	5,7	6,8,9,10	12.	11,13.	20,21,22,16,17,23.	8,15	9,10,11.	14.	15
C	26,12.	3.	5,6,7,8	10,9,11.	12.	13.	14.	18,19,15.	6.	7.	12.	24.	25
R	13	1.	14.	2.	3.	4.	5.	18,19,15.	6.	7.	8,15	9,10,11.	12.



1941

DIAL PARTS DIAGRAM.



CHASSIS LAYOUT DIAGRAM.

