

MODIFICATION SHEET

PHILIPS RADIOPLAYER

MODEL 164A

NOTE: This sheet should be read in conjunction with the service data sheet for Model 164.

Model 164A is the same as Model 164 except for a change in I.F. transformers.

Details are:—

L5	8.0-9.0 ohms	}	1st I.F.T.	A3.126.84
L6	4.7-5.2 ohms			
L7	8.0-9.0 ohms	}	2nd I.F.T.	A3.126.84
L8	4.7-5.2 ohms			

I.F. channel alignment procedure is the usual procedure of peaking slugs in normal succession, i.e., 2nd I.F.T. sec., 2nd I.F.T. prim., 1st I.F.T. sec., 1st I.F.T. prim.

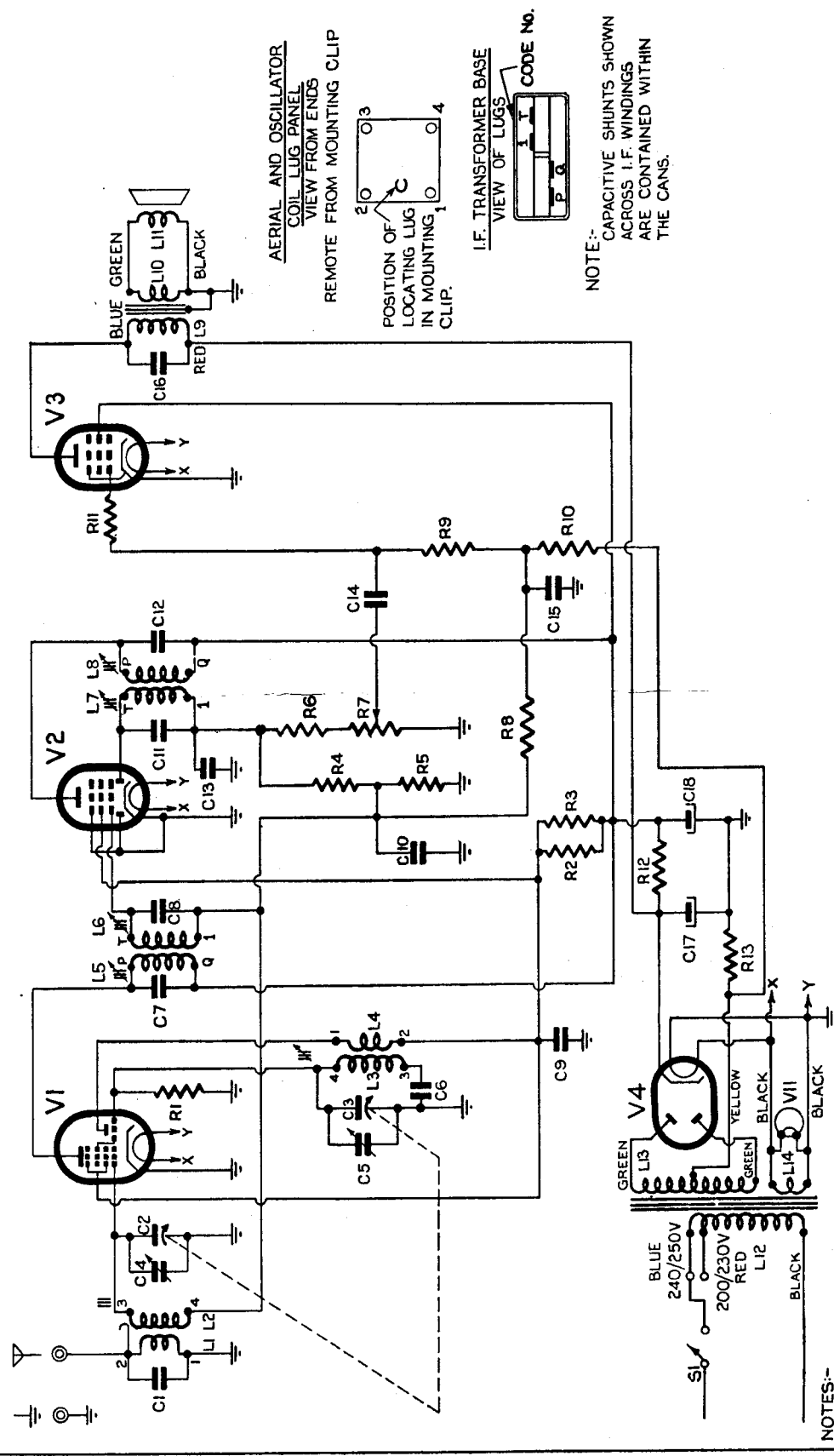
Circuit diagram is shown overleaf.

Published by

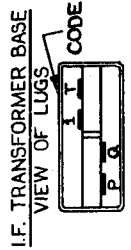
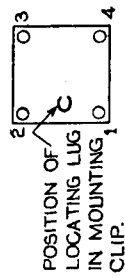
PHILIPS ELECTRICAL INDUSTRIES PTY. LTD.

SYDNEY - MELBOURNE - BRISBANE - ADELAIDE - PERTH

L	1	2	12, 13, 14,	3,	4,	5	6	7	8	9, 10, 11	L
C	1	4,	2,	5	3, 6	9, 7,	13	17, 8, 10, 18	13 11	12, 14, 15,	C
R					1	2, 3	4, 5,	6, 7, 8,	2	9, 10, 11	R
V					1, 4, 11,				3		V



AERIAL AND OSCILLATOR
COIL LUG PANEL
VIEW FROM ENDS
REMOTE FROM MOUNTING CLIP



NOTE:-
CAPACITIVE SHUNTS SHOWN
ACROSS I.F. WINDINGS
ARE CONTAINED WITHIN
THE CANS.

NOTES:-
(i) SWITCH S1 IS MOUNTED ON
VOLUME CONTROL (R6, R7).
(ii) R6 IS INCLUDED IN
POTENTIOMETER R7.