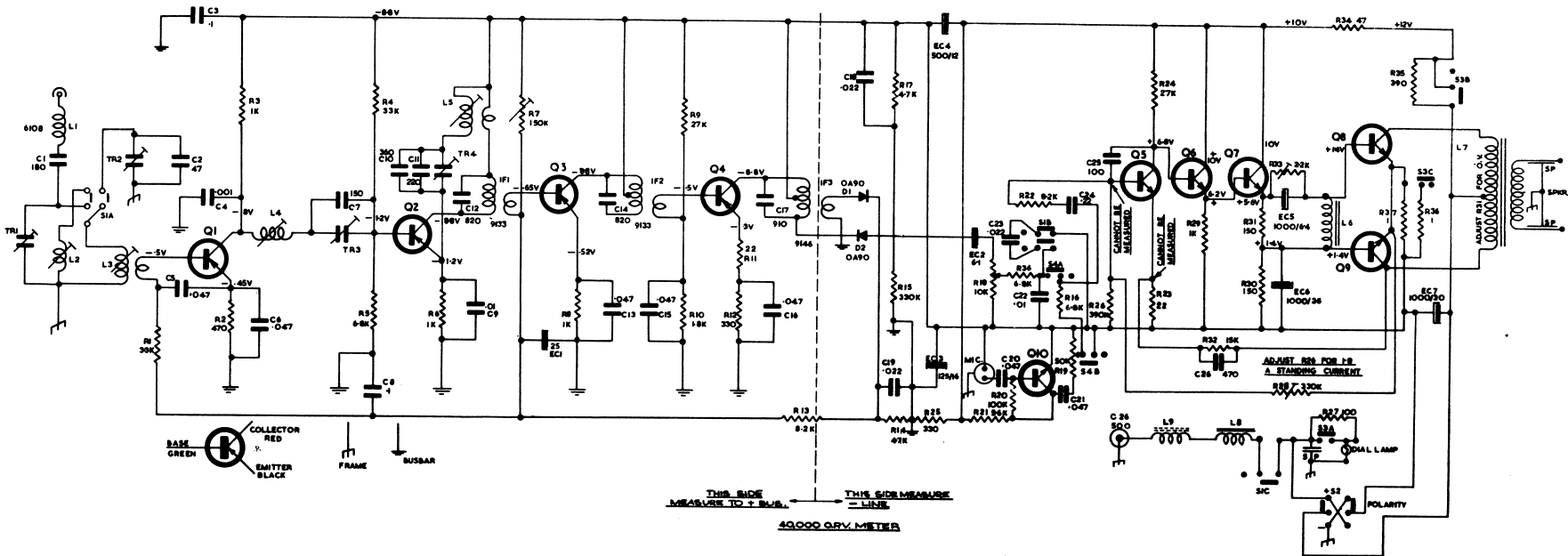


FERRIS "COACHLINER" MODEL 157 (12-24 VOLT)



- C1 - 100 pf 125V Styrofoam
- C2 - 47 pf 125V Styrofoam
- C3 - .1 uf 25V Capacitor
- C4 - .001 uf 125V Styrofoam
- C5 - .047 uf 25V Capacitor
- C6 - .047 uf 25V Capacitor
- C7 - 150 pf 125V Styrofoam
- C8 - .1 uf 25V Capacitor
- C9 - .01 uf 25V Capacitor
- C10 - 300 pf 125V Styrofoam
- C11 - 220 pf N550 NTC Ceramic
- C12 - 820 pf 125V Styrofoam
- C13 - .047 uf 25V Capacitor
- C14 - 820 pf 125V Styrofoam
- C15 - .047 uf 25V Capacitor
- C16 - .047 uf 25V Capacitor
- C17 - 820 pf 125V Styrofoam
- C18 - .022 uf 25V Capacitor
- C19 - .022 uf 25V Capacitor
- C20 - .047 uf 25V Capacitor
- C21 - .047 uf 25V Capacitor
- C22 - .01 uf 25V Capacitor
- C23 - .022 uf 25V Capacitor
- C24 - .22 uf 50V Capacitor
- C25 - 100 pf 125V Styrofoam
- C26 - 470 pf 125V Styrofoam

- EC1 - 25 uf 6 volt Electro.
- EC2 - 0 uf 6 volt Electro.
- EC3 - 125 uf 16 volt Electro.
- EC4 - 500 uf 12 volt Electro.
- EC5 - 1000 uf 6 volt Electro.
- EC6 - 1000 uf 2.5 volt Electro.
- EC7 - 1000 uf 30 volt Electro.
- TR1 - 3 Plate Trimmer 12 - 120 pf
- TR2 - 3 Plate Trimmer 12 - 120 pf
- TR3 - 2 Plate Trimmer 5 - 55 pf
- TR4 - Air Trimmer 4 - 60 pf

- R1 - 3.3K 10% Resistor
- R2 - 470 " "
- R3 - 1K " "
- R4 - 330K " "
- R5 - 6.8K " "
- R6 - 1K " "
- R7 - 150K Variable
- R8 - 1K 10% Resistor
- R9 - 27K " "
- R10 - 1.0K " "
- R11 - 22 " "
- R12 - 330 " "
- R13 - 8.2K " "
- R14 - 4.7K " "
- R15 - 390K " "
- R16 - 6.8K " "
- R17 - 4.7K " "
- R18 - 10K Potentiometer
- R19 - 50K Potentiometer

- R20 - 100K 10% Resistor
- R21 - 5.6K " "
- R22 - 8.2K " "
- R23 - 22 " "
- R24 - 27K " "
- R25 - 330 " "
- R26 - 390K " "
- R27 - 100 2 watt
- R28 - 330K Variable
- R29 - 1K 10% Resistor
- R30 - 150 " "
- R31 - 150 " "
- R32 - 15K " "
- R33 - 2.2K Variable
- R34 - 47 10% Resistor
- R35 - 390 1 watt
- R36 - 1 1 watt
- R37 - 1 1 watt

- L1 - Aerial Choke Type 6100
- L2 - Para. Tuner - 84E
- L3 - " "
- L4 - " "
- L5 - " "
- L6 - Driver Choke Type 8131
- L7 - O/P Transformer - 4346
- L8 - Filter Choke - 8133
- L9 - R.F. Choke - 8128
- IF1 - 455 KHz Trans Type 9133
- IF2 - " " " " 9133
- IF3 - " " " " 9134

- Q1 - 2N1637
- Q2 - 2N1630
- Q3 - 2N1630
- Q4 - 2N1630
- Q5 - 6V112
- Q6 - 6V112
- Q7 - 5E6401
- Q8 - 2N3055
- Q9 - 2N3055
- Q10 - 6V112
- D1 - 6800
- D2 - 6800

- 51A - Fringe Switch
- 51B - Tone
- 51C - Battery On-Off
- 52 - Polarity Switch
- 53 - 12 - 24 volt Selector Switch

Band Coverage 520 - 1650 KHz
IF Frequency 455 KHz