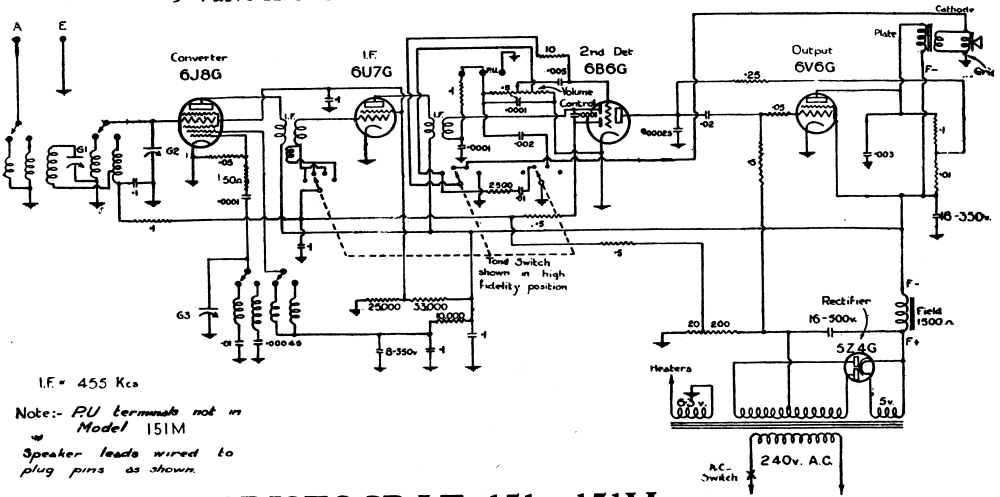


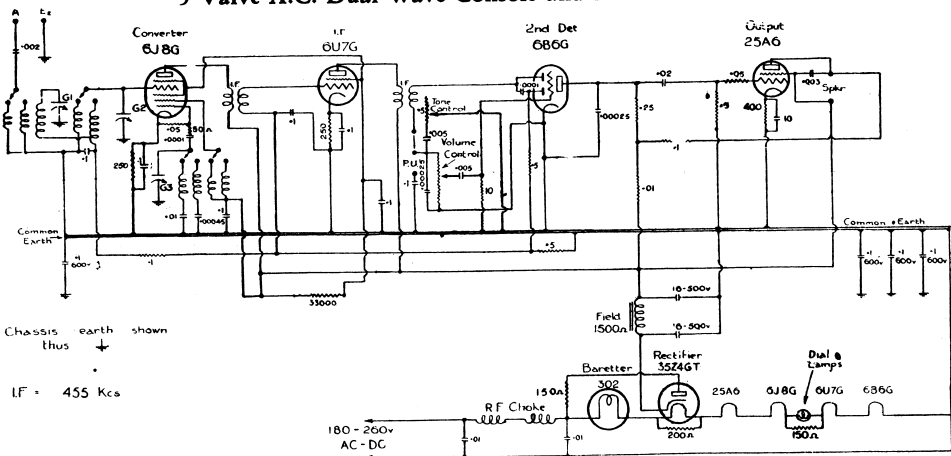
ARISTOCRAT 150-150M

5 Valve A.C. Broadcast Console and Mantel



ARISTOCRAT 151-151M

5 Valve A.C. Dual Wave Console and Mantel



ARISTOCRAT 154

5 Valve A.C./D.C. Dual Wave Console