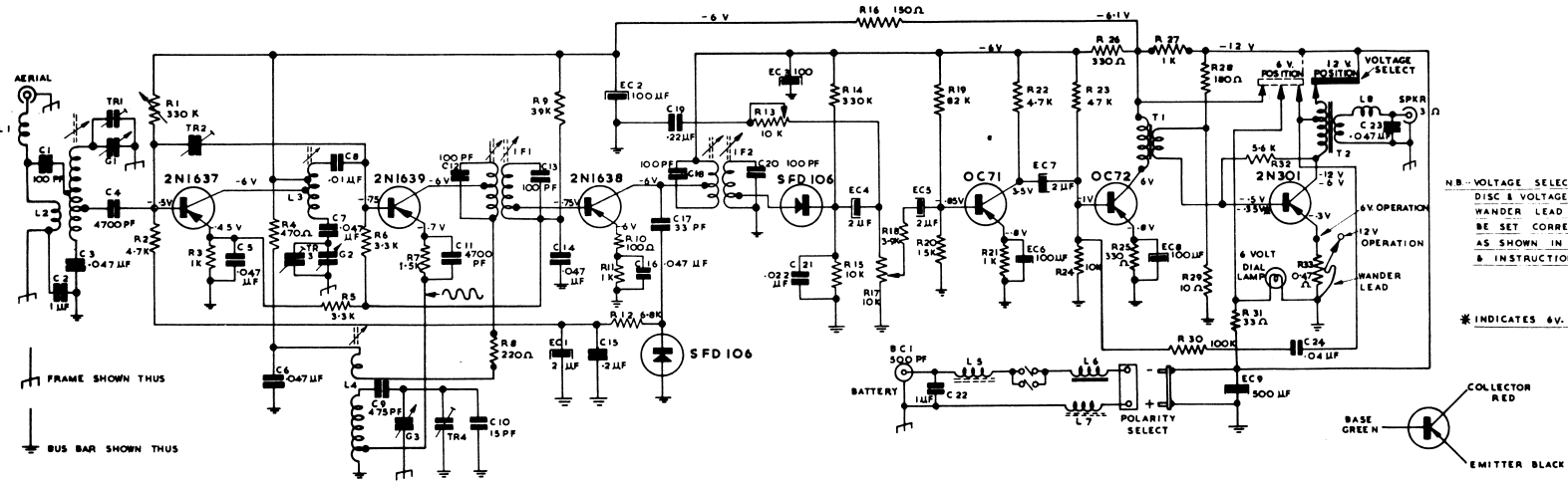
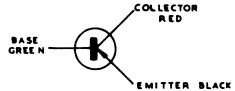


# FERRIS ALL TRANSISTOR CAR RADIO - MODEL 142.



N.B. - VOLTAGE SELECTOR  
DISC & VOLTAGE  
WANDER LEAD MUST  
BE SET CORRECTLY  
AS SHOWN IN CIRCUIT  
& INSTRUCTIONS

\* INDICATES 6V. CONDITION.



- R1 330K VARIABLE RESISTOR
- R2 4.7K 10% RESISTOR
- R3 1K 10% RESISTOR
- R4 470Ω 10% RESISTOR
- R5 3.3K 10% RESISTOR
- R6 3.3K 10% RESISTOR
- R7 1.5K 10% RESISTOR
- R8 220Ω 10% RESISTOR
- R9 39K 10% RESISTOR
- R10 100Ω 10% RESISTOR
- R11 1K 10% RESISTOR
- R12 6.8K 10% RESISTOR
- R13 10K POTENTIOMETER
- R14 330K 10% RESISTOR
- R15 10K 10% RESISTOR
- R16 150Ω 10% RESISTOR
- R17 10K POTENTIOMETER
- R18 3.9K 10% RESISTOR
- R19 82K 10% RESISTOR
- R20 18K 10% RESISTOR
- R21 1K 10% RESISTOR

- R22 4.7K 10% RESISTOR
- R23 47K 10% RESISTOR
- R24 10K 10% RESISTOR
- R25 330Ω 10% RESISTOR
- R26 330Ω 10% RESISTOR
- R27 1K 10% RESISTOR
- R28 180Ω 1WATT 10% RESISTOR
- R29 10Ω 1/2W 10% RESISTOR
- R30 100K 10% RESISTOR
- R31 33Ω 2WATT RESISTOR
- R32 5.6K 10% RESISTOR
- R33 0.47Ω 10% RESISTOR

- C11 4700PF 400V POLYESTER CAPACITOR
- C12 100PF 5% MICA CAPACITOR
- C13 100PF 5% MICA CAPACITOR
- C14 0.47UF 125V POLYESTER CAPACITOR
- C15 .2UF 125V POLYESTER CAPACITOR
- C16 .047UF 125V POLYESTER CAPACITOR
- C17 33PF NPO CERAMIC CAPACITOR
- C18 100PF 5% MICA CAPACITOR
- C19 .22UF 125V POLYESTER CAPACITOR
- C20 100PF 5% MICA CAPACITOR
- C21 .022UF 125V POLYESTER CAPACITOR
- C22 1.1UF MOULDED CAPACITOR
- C23 .047UF 125V POLYESTER CAPACITOR
- C24 .047UF 125V POLYESTER CAPACITOR

BC1 500PF BUTTON CERAMIC

IF1 IF TRANSFORMER - TYPE 919

IF2 IF TRANSFORMER - TYPE 919

L1 AERIAL CHOK - TYPE L210

L2 AERIAL COIL - TYPE 719

L3 RF COIL - TYPE 729

L4 OSC. COIL - TYPE 739

L5 FERRITE CORED CHOK - TYPE 728

L6 LT. FILTER CHOK - TYPE 818

L7 FERRITE CORED CHOK - TYPE 728

L8 AIR CORED CHOK - TYPE 839

T1 DRIVER TRANSFORMER - TYPE 528

T2 OUTPUT TRANSFORMER - TYPE 438

G1 3 GANG TUNING CAPACITOR 10-450 PF

G2 3 GANG TUNING CAPACITOR 10-450 PF

G3 3 GANG TUNING CAPACITOR 10-450 PF

TR1 2 PLATE TRIMMER

TR2 3-30 PF AIR TRIMMER

TR3 2 PLATE TRIMMER

TR4 3-30 PF AIR TRIMMER

BAND COVERAGE 530-1620 KC/S

IF FREQUENCY 453 KC

TOTAL BATTERY CURRENT AT 7V - 0.85 AMP.

TOTAL BATTERY CURRENT AT 14V - 0.85 AMP.

COLLECTOR CURRENT OF O/P STAGE - 400 MA

AT 6V. INPUT

COLLECTOR CURRENT OF O/P STAGE - 600 MA

AT 12V INPUT

FUSE RATING - 5 AMPS

NOTE: ALL VOLTAGES CHECKED WITH

40,000 OPV. METER AT

ZERO SIGNAL INPUT

DO NOT OPERATE SET WITHOUT  
SPEAKER CONNECTED.