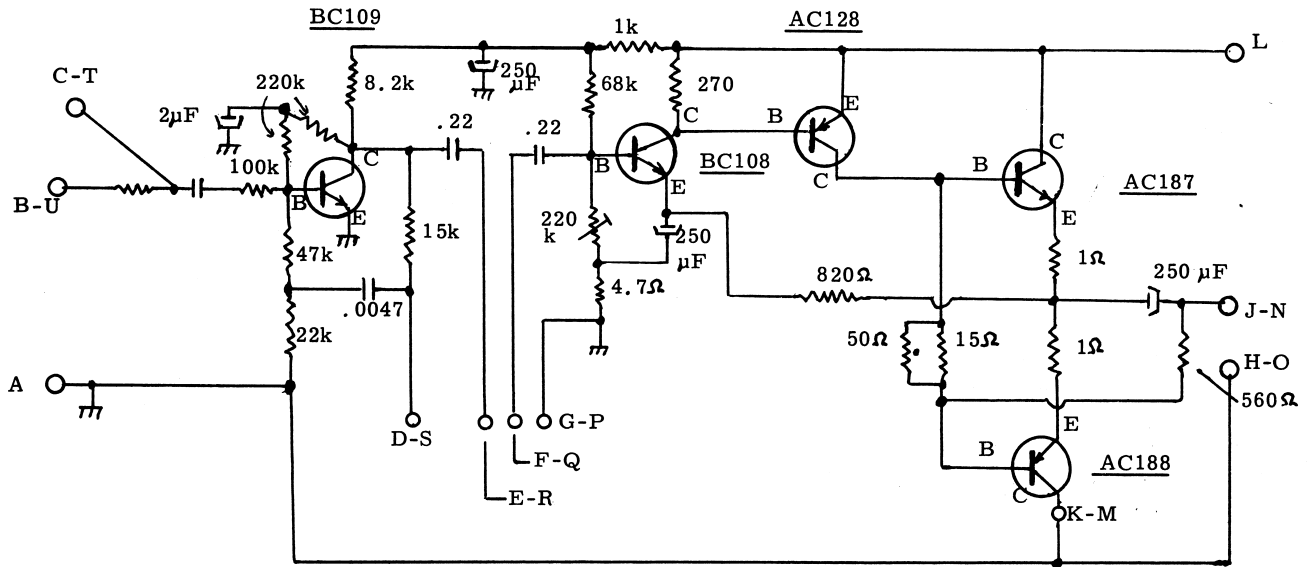


SCHEMATIC PC4 STEREO MODULE.



NEW MODULE CONNECTIONS for UF311 & UF312

using Silicon Transistors BF194 & BF195

