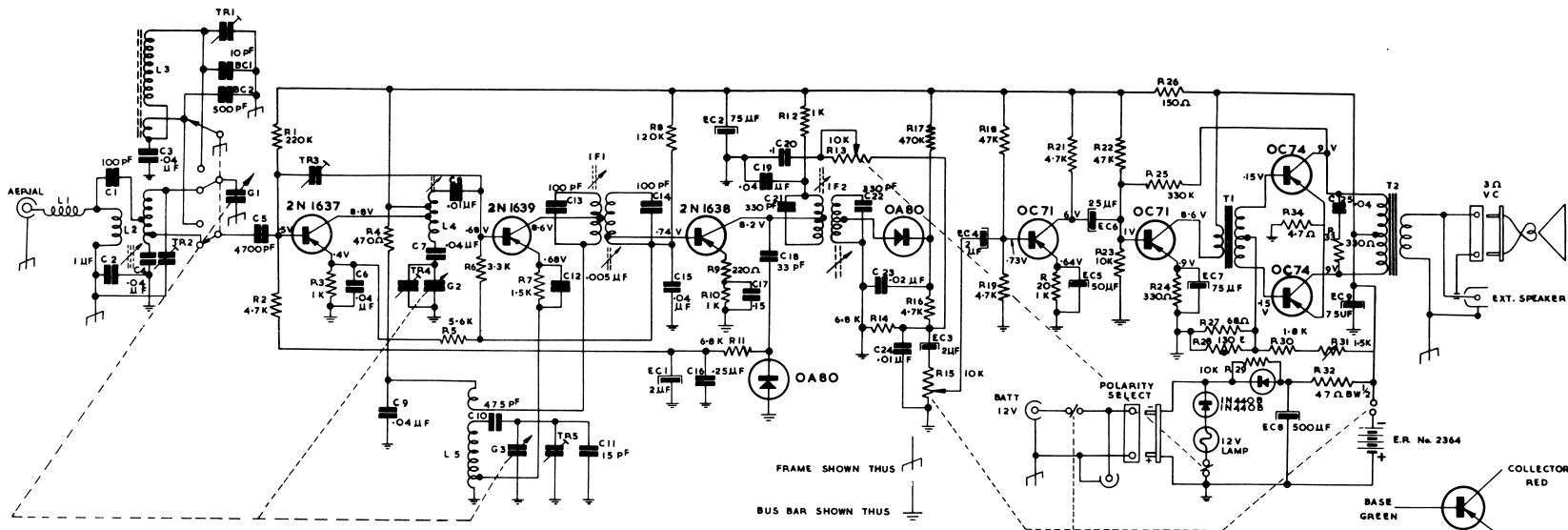


FERRIS ALL TRANSISTOR PORTABLE CAR RADIO. MODEL 134 MK. III



R1 220K 10% RESISTOR
R2 4.7K 10% RESISTOR
R3 1K 10% RESISTOR
R4 470Ω 10% RESISTOR
R5 5.6K 10% RESISTOR
R6 3.3K 10% RESISTOR
R7 1.5K 10% RESISTOR
R8 120K 10% RESISTOR
R9 220Ω 10% RESISTOR
R10 1K 10% RESISTOR
R11 68K 10% RESISTOR
R12 1K 10% RESISTOR
R13 10K POTENTIOMETER S.P.S.T.
R14 68K 10% RESISTOR
R15 10K POTENTIOMETER D.P.S.T.
R16 4.7K 10% RESISTOR
R17 470K 10% RESISTOR
R18 47K 10% RESISTOR

R19 4.7K 10% RESISTOR
R20 1K 10% RESISTOR
R21 4.7K 10% RESISTOR
R22 47K 10% RESISTOR
R23 10K 10% RESISTOR
R24 330Ω 10% RESISTOR
R25 330K 10% RESISTOR
R26 150Ω 10% RESISTOR
R27 68Ω 10% RESISTOR
R28 THERMISTOR 01A/130 E
R29 10K 10% RESISTOR
R30 1.8K 10% RESISTOR
R31 1.5K VARIABLE RESISTOR
R32 47Ω 10% RESISTOR
R33 330Ω 10% RESISTOR
R34 4.7Ω 10% RESISTOR

C1 100PF 600V MOULDED CAPACITOR
C2 1μF 200V MOULDED CAPACITOR
C3 .04μF 200V MOULDED CAPACITOR
C4 .04μF 200V MOULDED CAPACITOR
C5 4700PF CERAMIC CAPACITOR
C6 .04μF 200V MOULDED CAPACITOR
C7 .04μF 200V MOULDED CAPACITOR
C8 .01μF 200V MOULDED CAPACITOR
C9 .04μF 200V MOULDED CAPACITOR
C10 475PF ±2% MICA CAPACITOR
C11 15PF N.P.O. CERAMIC CAPACITOR
C12 .005μF 200V MOULDED CAPACITOR
C13 100PF 5% MICA CAPACITOR
C14 100PF 5% MICA CAPACITOR
C15 .04μF 200V MOULDED CAPACITOR
C16 .25μF 200V MOULDED CAPACITOR
C17 15μF 200V MOULDED CAPACITOR
C18 33PF CERAMIC CAPACITOR
C19 .04μF 200V MOULDED CAPACITOR

C20 .1μF 200V MOULDED CAPACITOR
C21 330PF 5% MICA CAPACITOR
C22 330PF 5% MICA CAPACITOR
C23 .02μF 200V MOULDED CAPACITOR
C24 .01μF 200V MOULDED CAPACITOR
C25 .04μF 200V MOULDED CAPACITOR
EC1 2μF 12V ELECTRO CAPACITOR
EC2 75μF 12V ELECTRO CAPACITOR
EC3 2μF 12V ELECTRO CAPACITOR
EC4 2μF 12V ELECTRO CAPACITOR
EC5 50μF 12V ELECTRO CAPACITOR
EC6 25μF 12V ELECTRO CAPACITOR
EC7 75μF 12V ELECTRO CAPACITOR
EC8 500μF 15V ELECTRO CAPACITOR
EC9 75μF 12V ELECTRO CAPACITOR

L1 AERIAL CHOKE - L210
L2 AERIAL COIL - 719
L3 FERRITE ROD AERIAL - 718
L4 R.F. COIL - 729
L5 OSC. COIL - 739
G1 2 GANG TUNING CAPACITOR
G2 3 GANG TUNING CAPACITOR
G3 10-450 PF
BC1 10 PF BUTTON CERAMIC CAPACITOR
BC2 500PF BUTTON CERAMIC CAPACITOR

TR1 2 PLATE TRIMMER
TR2 2 PLATE TRIMMER
TR3 3-30 PF AIR TRIMMER
TR4 2 PLATE TRIMMER
TR5 3-30 AIR TRIMMER
IF1 455 KC TRANS TYPE-919
IF2 455 KC TRANS TYPE-9181

BAND COVERAGE 530-1620 KC/5
IF FREQUENCY 455 KC.

TOTAL BATTERY CURRENT
14 MA. ZERO SIGNAL.

COLLECTOR CURRENT OF O/P STAGE
4.5 MA. FOR ZERO SIGNAL
(ADJUST R.31)
ALL RESISTORS 1/2 WATT RATING
UNLESS OTHERWISE STATED.

NOTE: ALL VOLTAGES CHECKED
WITH 40,000 Ω.P.V. METER
AT ZERO SIGNAL INPUT.

**DO NOT OPERATE SET
WITHOUT SPEAKER CONNECTED.**

DIAL LAMP 12V 3W
T1 DRIVER TRANSFORMER TYPE 524
T2 SPEAKER TRANSFORMER " 4301